

Floor Scales

TABLE OF CONTENTS

ROUGHDECK®		
ROUGH-N-READY SYSTEM	390	FLOOR SCALE
<i>Floor Scale and Indicator Package</i>		PIT MOUNTED RISER STAND
ROUGHDECK® HP	392	ROUGHDECK® ACCESS RAMPS
<i>High Performance Structural Steel Low-profile Floor Scale</i>		ROUGHDECK® PIT FRAMES
ROUGHDECK® HP-H	394	SUMMIT® 3000 ACCESS RAMPS
<i>High Performance Heavy Capacity Floor Scale</i>		AND PIT FRAMES
ROUGHDECK® CS	396	BUMPER GUARDS
<i>Coil Floor Scale</i>		<i>Option A</i>
ROUGHDECK® SS	398	<i>Option B</i>
<i>Stainless Steel Floor Scale</i>		<i>Option C</i>
ROUGHDECK® HE	399	ROUGHDECK® HP AND SS
<i>Hostile Environment Stainless Steel Floor Scale</i>		<i>Portability Frames</i>
AUTOLIFT HE	400	ROUGHDECK® HP CASTER
<i>Pit-type, Hostile Environment Stainless Steel Lift Floor Scale</i>		<i>Portability Frames</i>
ROUGHDECK® QC-X	402	ROUGHDECK® HP, SS & HE
<i>Quick Clean Extreme Lift Floor Scale with Solid Plate Base</i>		<i>Pit Frame Concrete Details</i>
ROUGHDECK® QC	404	ROUGHDECK® HP-H
<i>Quick Clean Stainless Steel Lift Floor Scale</i>		<i>Pit Frame Concrete Details – 20,000 lb Capacity</i>
ROUGHDECK® SD	406	<i>Pit Frame Concrete Details – 30,000 lb Capacity</i>
<i>Sanitary Deck Floor Scale</i>		AUTOLIFT HE
ROUGHDECK® PW-1 MILD STEEL	408	<i>Pit Frame Concrete Details</i>
<i>Low-profile Pallet Weighing Floor Scale</i>		ROUGHDECK® QC-X
ROUGHDECK® PW-1 STAINLESS STEEL	409	<i>Pit Frame Concrete Details</i>
<i>Low-profile Pallet Weighing Floor Scale</i>		ROUGHDECK® QC
ROUGHDECK® BDP MILD STEEL	410	<i>Pit Frame Concrete Details</i>
<i>Barrel, Drum, Pallet Scale – Stationary Model</i>		SUMMIT® 3000
ROUGHDECK® BDP MILD STEEL	411	<i>Pit Frame Concrete Details</i>
<i>Barrel, Drum, Pallet Scale – Portable Model</i>		
ROUGHDECK® BDP STAINLESS STEEL	412	
<i>Barrel, Drum, Pallet Scale - Stationary Model</i>		
ROUGHDECK® BDP STAINLESS STEEL	413	
<i>Barrel, Drum, Pallet Scale – Portable Model</i>		
DECKHAND		
ROUGH-N-READY SYSTEM	414	
<i>Portable Scale</i>		
DECKHAND	415	
<i>Portable Scale</i>		
RL1200	416	
<i>Portable Beam Scale</i>		
RL1200 EM	417	
<i>Electromechanical Portable Beam Scale</i>		
RL1200 IS	418	
<i>Intrinsically Safe Electromechanical Portable Beam Scale</i>		
ALTRALITE™	419	
<i>Portable Low-profile Anodized Aluminum Floor Scale</i>		
ROUGHDECK® FXB	420	
<i>Painted Steel and Stainless Steel, Flexure Lever Floor Scale</i>		
SUMMIT® SCALE		
AND INDICATOR PACKAGE	422	
<i>Floor Scale/Indicator Package</i>		
SUMMIT® 3000	424	
<i>Low-profile Floor Scale</i>		

ESPAÑOL | Visit ricelake.com/spanish to see all Rice Lake materials available in Spanish

The following product names, logos, brands, and other trademarks featured or referred to within this publication are the property of their respective trademark holders.

RoughDeck® Rough-n-Ready System

Floor Scale and Indicator Package



Shown with optional floor stand for indicator. Factory calibration is done at Rice Lake Weighing Systems.

Standard Features

- Package Includes: RoughDeck HP 4 ft x 4 ft x 3.5 in floor scale, 20 ft of hostile environment load cell cable, quick disconnect and indicator
- Factory calibrated for 5,000 divisions

Specifications

RoughDeck Approvals:

NTEP CC 92-001 Class III 5,000 d
Measurement Canada AM-4827, Class III 5,000 d

480/480 Plus Legend™ Approvals:

Measurement Canada AM-5892,
Accuracy Class III/IIHD, 10,000 d
NTEP CC 12-123,
Accuracy Class III/IIIL, 10,000 d
OIML R76/2006-NL1-12.48, T5692, TC8322
Accuracy Class III, 10,000 d
CE Marked
UL Marked

482/482 Plus Legend™ Approvals:

Measurement Canada AM-5892,
Accuracy Class III/IIHD, 10,000 d
NTEP CC 12-123,
Accuracy Class III/IIIL, 10,000 d
OIML R76/2006-NL1-12.48, T5692, TC8322
Accuracy Class III, 10,000 d
CE Marked

Warranty:

RoughDeck HP weldment five years, load cells and indicators two years, all other components one year

Refer to Floor Scale and Indicator sections of catalog for complete specifications.

APPROVALS



Measurement
Canada
Approved

RoughDeck® Rough-n-Ready System

Floor Scale and Indicator Package

Part Number/Price

Part#	Floor Scale Capacity	Indicator	Est. Weight	Price
† 115 VAC - 4 ft x 4 ft x 3.5 in RoughDeck (NTEP Certified) Indicator Package with Tilt Stand				
155666	5,000 lb	480	405 lb	\$2,175.00
168140	5,000 lb	480 Plus	405 lb	\$2,175.00
168146	5,000 lb	482	405 lb	\$2,275.00
168152	5,000 lb	482 Plus	405 lb	\$2,275.00
168159	5,000 lb	482 with internal battery	405 lb	\$2,475.00
168165	5,000 lb	482 Plus with internal battery	405 lb	\$2,475.00
155667	10,000 lb	480	405 lb	\$2,175.00
168141	10,000 lb	480 Plus	405 lb	\$2,175.00
168147	10,000 lb	482	405 lb	\$2,275.00
168153	10,000 lb	482 Plus	405 lb	\$2,275.00
168160	10,000 lb	482 with internal battery	405 lb	\$2,475.00
168166	10,000 lb	482 Plus with internal battery	405 lb	\$2,475.00
†† 230 VAC - 4 ft x 4 ft x 3.5 in RoughDeck (NTEP Certified) Indicator Package with Tilt Stand				
155962	5,000 lb	480	405 lb	\$2,175.00
168142	5,000 lb	480 Plus	405 lb	\$2,175.00
168148	5,000 lb	482	405 lb	\$2,275.00
168154	5,000 lb	482 Plus	405 lb	\$2,275.00
168161	5,000 lb	482 with internal battery	405 lb	\$2,475.00
168167	5,000 lb	482 Plus with internal battery	405 lb	\$2,475.00
155963	10,000 lb	480	405 lb	\$2,175.00
168143	10,000 lb	480 Plus	405 lb	\$2,175.00
168149	10,000 lb	482	405 lb	\$2,275.00
168155	10,000 lb	482 Plus	405 lb	\$2,275.00
168162	10,000 lb	482 with internal battery	405 lb	\$2,475.00
168168	10,000 lb	482 Plus with internal battery	405 lb	\$2,475.00

Part Number/Price

Part#	Floor Scale Capacity	Indicator	Est. Weight	Price
† 115 VAC 4 ft x 4 ft x 3.5 in RoughDeck Canadian Weights and Measures Approved Indicator Package with Tilt Stand				
155668	2,500 kg	480	405 lb	\$2,175.00
168144	2,500 kg	480 Plus	405 lb	\$2,175.00
168150	2,500 kg	482	405 lb	\$2,275.00
168156	2,500 kg	482 Plus	405 lb	\$2,275.00
168163	2,500 kg	482 with internal battery	405 lb	\$2,475.00
168169	2,500 kg	482 Plus with internal battery	405 lb	\$2,475.00
155669	5,000 kg	480	405 lb	\$2,175.00
168145	5,000 kg	480 Plus	405 lb	\$2,175.00
168151	5,000 kg	482	405 lb	\$2,275.00
168157	5,000 kg	482 Plus	405 lb	\$2,275.00
168164	5,000 kg	482 with internal battery	405 lb	\$2,475.00
168170	5,000 kg	482 Plus with internal battery	405 lb	\$2,475.00

Options/Accessories

Part#	Description	Price
N/A	Access ramps, pit frames, bumper guards and portability frames available	See end of section for details
18777	Floor anchor plates, mild steel (set of 2)	\$35.00
19352	RoughDeck floor stand for indicator, 36.3 in high, mild steel	\$235.00
126384	RoughDeck floor stand for indicator, 48 in high, mild steel	\$260.00
77925	Revolution® Scaleware software	\$35.00



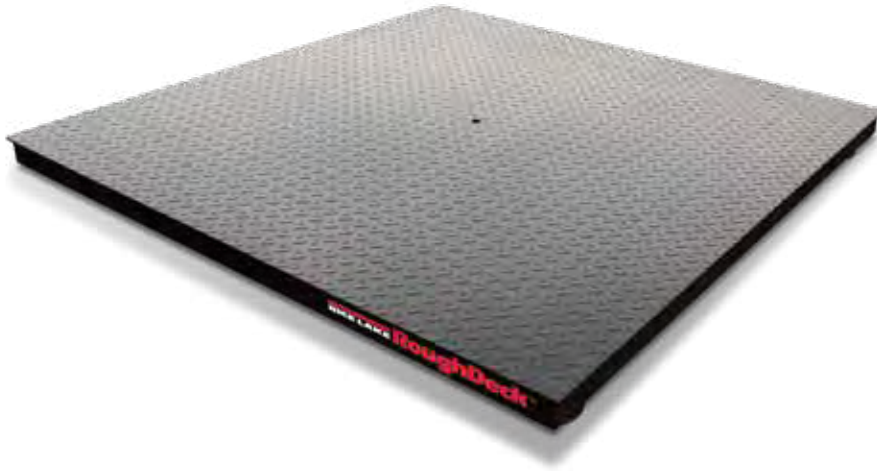
†† CEE 7/7 plug



† NEMA 5-15 plug

RoughDeck® HP

High Performance Structural Steel Low-profile Floor Scale



Specifications

End Load Capacity:

200% full scale at 1,000 lb
100% full scale at 2,000 lb, and 5,000 lb
80% full scale at 10,000 lb

Cable Length:

20 ft (6.1 m) for connecting junction box to indicator

Threaded Eyebolt:

Hole (1/2-20NF) located in center of deck for easy lifting

Warranty (limited):

RoughDeck HP weldment five years, load cells two years, all other components one year

Approvals:

NTEP CC 92-001, Class III 5000d
Measurement Canada AM-4827, Class III 5,000 d

Standard Features

- Heavy-duty industrial design
- Structural steel channel frame
- Four NTEP Certified alloy steel, shear beam load cells
- 20 ft SURVIVOR® EL147HE hostile environment load cell cable
- TuffSeal® JB4SS stainless steel, NEMA Type 4X junction box with signal trim card
- Side-access junction box
- Rugged diamond deck safety treadplate
- 4 adjustable stainless steel SUREFOOT™ support feet
- 4 corner overload stops (Canadian versions only)
- Level bubble (Canadian versions only)

APPROVALS



Measurement
Canada
Approved



Part Number/Price

Part #	Part #	Size (W x L x H)	Capacity	Est. Weight	Price
With Quick Connector	Without Quick Connector				
66318†	67695	2.5 ft x 2.5 ft x 3.5 in	2,000 lb	173 lb	\$1,650.00
66320†	67693	3 ft x 3 ft x 3.5 in	1,000 lb	232 lb	\$1,650.00
66317†	67696	3 ft x 3 ft x 3.5 in	2,000 lb	232 lb	\$1,650.00
105300†	105301	3 ft x 3 ft x 3.5 in	5,000 lb	232 lb	\$1,650.00
66319	67694	4 ft x 4 ft x 3.5 in	1,000 lb	375 lb	\$1,750.00
67618	67697	4 ft x 4 ft x 3.5 in	2,000 lb	375 lb	\$1,750.00
66316	67698	4 ft x 4 ft x 3.5 in	5,000 lb	375 lb	\$1,750.00
66315	67699	4 ft x 4 ft x 3.5 in	10,000 lb	375 lb	\$1,750.00
66314	67700	4 ft x 5 ft x 3.5 in	5,000 lb	437 lb	\$1,920.00
66313	67701	4 ft x 5 ft x 3.5 in	10,000 lb	567 lb	\$2,240.00
66312	67702	4 ft x 6 ft x 3.5 in	5,000 lb	510 lb	\$2,070.00
66311	67703	4 ft x 6 ft x 3.5 in	10,000 lb	656 lb	\$2,440.00
66310	67704	5 ft x 5 ft x 3.5 in	5,000 lb	541 lb	\$2,100.00
66309	67705	5 ft x 5 ft x 3.5 in	10,000 lb	696 lb	\$2,500.00
66308	67706	5 ft x 6 ft x 3.5 in	5,000 lb	646 lb	\$2,320.00
66307	67707	5 ft x 6 ft x 3.5 in	10,000 lb	821 lb	\$2,740.00
66306	67708	5 ft x 7 ft x 3.5 in	5,000 lb	734 lb	\$2,500.00
66305	67709	5 ft x 7 ft x 3.5 in	10,000 lb	929 lb	\$2,990.00
Canadian Weights and Measures Approved					
191928†	191930	2.5 ft x 2.5 ft x 3.5 in	1,000 kg	173 lb	\$1,650.00
191949†	191950	3 ft x 3 ft x 3.5 in	500 kg *	232 lb	\$1,650.00
66464†	67710	3 ft x 3 ft x 3.5 in	1,000 kg	232 lb	\$1,650.00
191931†	191932	3 ft x 3 ft x 3.5 in	2,500 kg	232 lb	\$1,650.00
191951	191952	4 ft x 4 ft x 3.5 in	500 kg *	375 lb	\$1,750.00
191933	191934	4 ft x 4 ft x 3.5 in	1,000 kg	375 lb	\$1,750.00
66465	67711	4 ft x 4 ft x 3.5 in	2,500 kg	375 lb	\$1,750.00
66466	67712	4 ft x 4 ft x 3.5 in	5,000 kg	375 lb	\$1,750.00
191935	191936	4 ft x 5 ft x 3.5 in	2,500 kg	437 lb	\$1,920.00
191937	191938	4 ft x 5 ft x 3.5 in	5,000 kg	567 lb	\$2,240.00
191939	191940	4 ft x 6 ft x 3.5 in	2,500 kg	510 lb	\$2,070.00
191941	191942	4 ft x 6 ft x 3.5 in	5,000 kg	656 lb	\$2,440.00
66467	67713	5 ft x 5 ft x 3.5 in	2,500 kg	541 lb	\$2,100.00
66468	67714	5 ft x 5 ft x 3.5 in	5,000 kg	696 lb	\$2,500.00
191943	191944	5 ft x 6 ft x 3.5 in	2,500 kg	646 lb	\$2,320.00
191945	191946	5 ft x 6 ft x 3.5 in	5,000 kg	821 lb	\$2,740.00
66469	67715	5 ft x 7 ft x 3.5 in	2,500 kg	934 lb	\$2,500.00
66470	67716	5 ft x 7 ft x 3.5 in	5,000 kg	929 lb	\$2,990.00

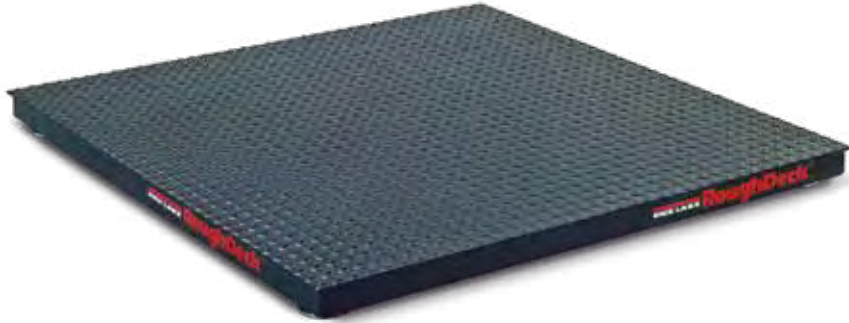
† Not recommended for use with pallet jacks

Options/Accessories

Part #	Description	Price
N/A	Access ramps, pit frames, bumper guards and portability frames available	See end of section for details
N/A	Smooth deck instead of diamond safety tread plate	N/C
18777	Floor anchor plates, mild steel (set of two)	\$35.00
N/A	Four drilled deck holes for scale height adjustment	\$40.00
19352	RoughDeck floor stand for indicator, 36.3 in high, mild steel	\$235.00
126384	RoughDeck floor stand for indicator, 48 in high, mild steel	\$260.00
N/A	Mild steel deck with RL35023S stainless steel cFMus approved load cells and hardware	+\$300.00 list price add-on
N/A	Mild steel deck with RLH35 welded-seal IP67 stainless steel FM approved load cells and hardware	+\$500.00 list price add-on
N/A	Mild steel deck with RL35082 hermetically sealed IP69K stainless steel cFMus approved load cells and hardware	+\$800.00 list price add-on
N/A	Epoxy paint	+\$90.00 list price add-on
N/A	Top access junction box	+\$100.00 list price add-on
N/A	Forklift channel option (up to 5 ft x 7 ft 10,000 lb, accommodates fork tines no larger than (W x H) 5 in x 2 in, fork entry is on opposite side of junction box location)	+\$300.00 list price add-on

RoughDeck® HP-H

High Performance Heavy Capacity Floor Scale



Specifications

End Load Capacity:

100% full scale at 20,000 lb
66% full scale at 30,000 lb

Cable Length:

20 ft (6.1 m) for connecting junction box to indicator

Threaded Eyebolt:

Hole (3/4-10NC) located in center of deck for easy lifting

Warranty:

RoughDeck HP-H weldment five years, load cells two years, all other components one year

Approvals:

NTEP CC 92-001, Class III, 5,000d
Measurement Canada AM-5284 (Only capacities greater than 10,000 kg)

Standard Features

- Heavy-duty industrial design
- Structural steel channel frame
- Four NTEP Certified alloy steel, shear beam load cells
- 20 ft SURVIVOR® EL147HE hostile environment load cell cable
- TuffSeal® JB4SS stainless steel, NEMA Type 4X junction box with signal trim card
- Side-access junction box
- Rugged diamond safety treadplate deck
- Four adjustable mild steel SUREFOOT™ support feet

APPROVALS



Part Number/Price

Part #	Part #	Size (W x L x H)	Capacity	Est. Weight	Price
With Quick Connector	Without Quick Connector				
NTEP Approved					
66474	67717	4 ft x 4 ft x 4 in	20,000 lb (10,000 kg)	601 lb	\$3,150.00
66475	67718	4 ft x 5 ft x 4 in	20,000 lb (10,000 kg)	775 lb	\$3,400.00
66476	67719	4 ft x 6 ft x 4 in	20,000 lb (10,000 kg)	926 lb	\$3,600.00
66477	67720	4 ft x 7 ft x 4 in	20,000 lb (10,000 kg)	1,135 lb	\$3,850.00
66478	67721	5 ft x 5 ft x 4 in	20,000 lb (10,000 kg)	926 lb	\$3,725.00
66479	67722	5 ft x 6 ft x 4 in	20,000 lb (10,000 kg)	1,104 lb	\$3,950.00
66480	67723	5 ft x 7 ft x 4 in	20,000 lb (10,000 kg)	1,377 lb	\$4,150.00
66481	67724	6 ft x 6 ft x 4 in	20,000 lb (10,000 kg)	1,319 lb	\$4,300.00
66482	67725	6 ft x 8 ft x 4 in	20,000 lb (10,000 kg)	1,861 lb	\$5,150.00
66483	67726	7 ft x 9 ft x 4 in	20,000 lb (10,000 kg)	2,408 lb	\$6,050.00
66484	67727	7 ft x 10 ft x 4 in	20,000 lb (10,000 kg)	2,959 lb	\$7,150.00
66485	67728	8 ft x 10 ft x 4 in	20,000 lb (10,000 kg)	3,108 lb	\$7,100.00
66486	67729	4 ft x 4 ft x 5 in	30,000 lb (15,000 kg)	675 lb	\$3,500.00
66487	67730	4 ft x 5 ft x 5 in	30,000 lb (15,000 kg)	839 lb	\$3,725.00
66488	67731	4 ft x 6 ft x 5 in	30,000 lb (15,000 kg)	1,071 lb	\$3,950.00
66489	67732	4 ft x 7 ft x 5 in	30,000 lb (15,000 kg)	1,200 lb	\$4,150.00
66490	67733	5 ft x 5 ft x 5 in	30,000 lb (15,000 kg)	1,021 lb	\$4,050.00
66491	67734	5 ft x 7 ft x 5 in	30,000 lb (15,000 kg)	1,448 lb	\$4,500.00
66492	67735	6 ft x 6 ft x 5 in	30,000 lb (15,000 kg)	1,438 lb	\$4,600.00
66493	67736	7 ft x 10 ft x 5 in	30,000 lb (15,000 kg)	3,372 lb	\$8,700.00
66494	67737	8 ft x 10 ft x 5 in	30,000 lb (15,000 kg)	3,699 lb	\$9,200.00

Options/Accessories

Part #	Description	Price
N/A	Access ramps, pit frames, bumper guards and portability frames available	See end of section for details
N/A	Smooth deck instead of diamond safety tread plate	No charge
40387	Anchor plate set, mild steel, 20,000 lb capacity models (optional)	\$48.00
40388	Anchor plate set, mild steel, 30,000 lb capacity models (optional)	\$48.00
N/A	Four drilled deck holes for scale height adjustment	\$40.00
19352	RoughDeck floor stand for indicator, 36.3 in high, mild steel	\$235.00
126384	RoughDeck floor stand for indicator, 48 in high, mild steel	\$260.00
N/A	Mild steel deck with RL35023S stainless steel cFMus approved load cells and hardware	+\$300.00 list price add-on
N/A	Mild steel deck with RL35082 welded-seal IP67 stainless steel cFMus approved load cells, and hardware	+\$500.00 list price add-on
N/A	Mild steel deck with RL35082 welded-seal IP69K stainless steel cFMus approved load cells and hardware	+\$800.00 list price add-on
N/A	Epoxy paint	+\$90.00 list price add on
N/A	Top access junction box	+\$100.00 list price add-on

RoughDeck® CS

Coil Floor Scale



Specifications

Capacities:

Scale CapacityLoad Cell and Mount Capacity
 40,000 lb.....Qty (4) 50,000 lb each
 60,000 lb.....Qty (4) 50,000 lb each
 80,000 lb.....Qty (4) 75,000 lb each

Warranty:

RoughDeck CS weldment five years, load cells two years, all other components one year

Approvals:

NTEP CC 11-068, Class III, 5,000d

Standard Features

- Capacities: 40,000 lb to 80,000 lb, consult factory for custom capacities
- Sizes: 5 ft x 5 ft - 6 ft x 6 ft, consult factory for custom sizes
- Height: 11 in
- Deck thickness: 1/2 in smooth top plate
- JB4SS Tuffseal® signal trim junction box
- MVS self-checking mounting system, top access to load cells
- Black epoxy paint
- 20 ft SURVIVOR® EL147HE hostile environment load cell cable
- Ships unassembled with (8) concrete anchor bolts

APPROVALS

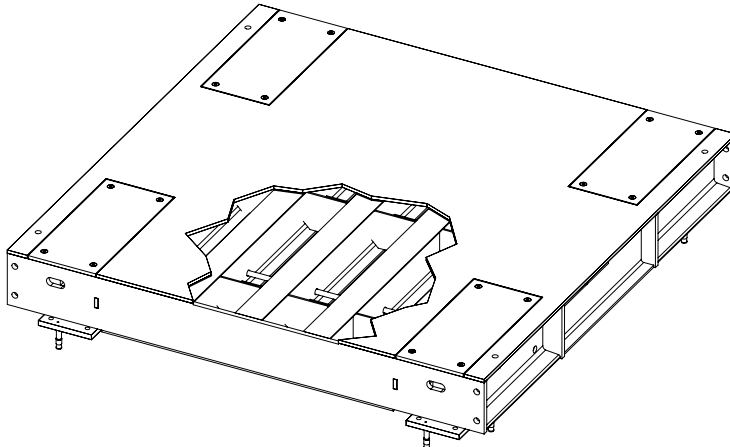


Part Number/Price

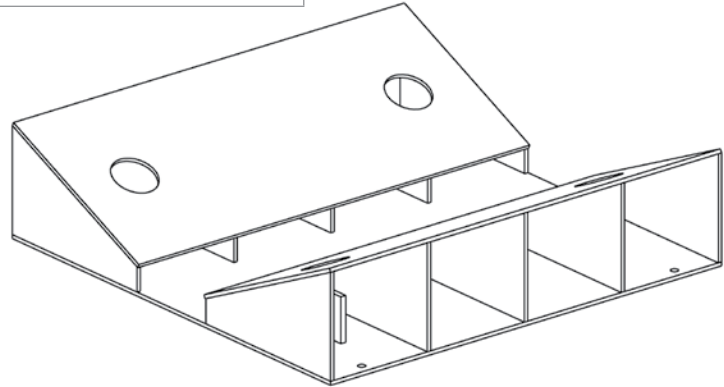
Part #	Description	Capacity	Est. Weight	Price
107493	5 ft x 5 ft x 11 in	40,000 lb (20,000 kg)	1,900 lb	\$10,925.00
107494	5 ft x 5 ft x 11 in	60,000 lb (30,000 kg)	1,900 lb	\$10,925.00
107495	5 ft x 5 ft x 11 in	80,000 lb (40,000 kg)	1,900 lb	\$10,925.00
107496	6 ft x 6 ft x 11 in	40,000 lb (20,000 kg)	2,575 lb	\$12,650.00
107497	6 ft x 6 ft x 11 in	60,000 lb (30,000 kg)	2,575 lb	\$12,650.00
107498	6 ft x 6 ft x 11 in	80,000 lb (40,000 kg)	2,575 lb	\$12,650.00

Options/Accessories

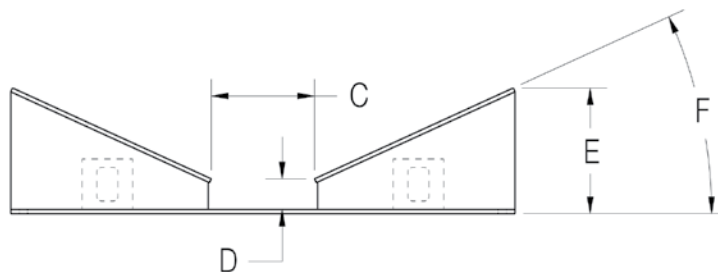
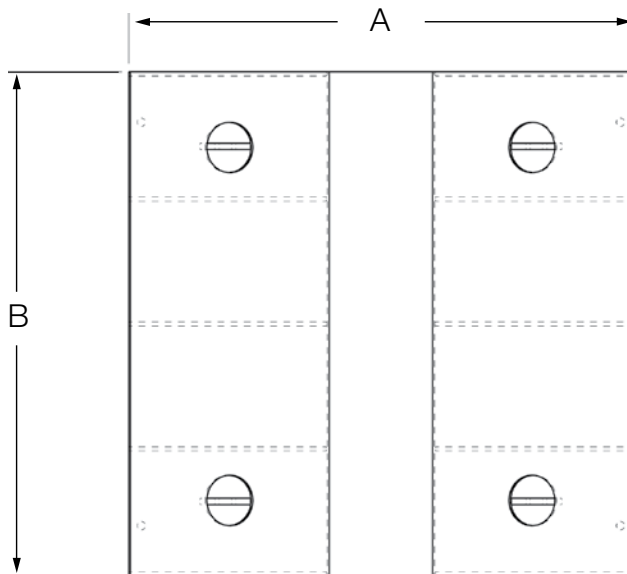
Part #	Description	Price
114678	V-Top coil cradle (5 ft x 5 ft scale)	\$2,875.00
114684	V-Top coil cradle (6 ft x 6 ft scale)	\$3,565.00
Consult	Pit coping	Consult



Dimensions			
5 ft x 5 ft V-Top Coil Cradle			
A	60 in	D	3.64 in
B	60 in	E	14.95 in
C	12.30 in	F	25°
6 ft x 6 ft V-Top Coil Cradle			
A	72 in	D	3.99 in
B	72 in	E	14.96 in
C	22.62 in	F	24°



V-Top Coil Cradle



RoughDeck® SS

Stainless Steel Floor Scale



Specifications

End Load Capacity:

- 200% full scale at 1,000 lb
- 100% full scale at 2,000 lb and 5,000 lb
- 80% full scale at 10,000 lb

Cable Length:

20 ft (6.1 m) (for connecting junction box to indicator)

Threaded Eyebolt:

Hole (1/2-20NF) located in center of deck for easy lifting

Warranty:

RoughDeck SS weldment five years, load cells two years, all other components one year

Approvals:

NTEP CC 92-001, Class III 5,000d
Measurement Canada AM-4827, Class III 5,000d
AM-5301

Standard Features

- Rugged non-corrosive design
- 304 stainless steel construction
- Rigid stainless steel channel frame
- Four stainless steel NTEP Certified shear-beam load cells
- 20 ft of SURVIVOR® EL147HE hostile environment load cell cable
- Side access junction box
- TuffSeal® JB4SS stainless steel, NEMA Type 4X junction box with signal trim card
- Smooth stainless steel deck
- Four adjustable stainless steel SUREFOOT™ support feet

APPROVALS



Measurement
Canada
Approved



Part Number/Price

NTEP Approved Part #	Measurement Canada Approved Part #	Size (W x L x H)	Capacity	Est. Weight	Price
18663 [†]	191958 [†]	2.5 ft x 2.5 ft x 3.5 in	2,000 lb (1,000 kg)	173 lb	\$2,645.00
46239 [†]	191959 [†]	3 ft x 3 ft x 3.5 in	1,000 lb (500 kg)	232 lb	\$2,975.00
18664 [†]	191960 [†]	3 ft x 3 ft x 3.5 in	2,000 lb (1,000 kg)	232 lb	\$2,975.00
46241	191961	4 ft x 4 ft x 3.5 in	1,000 lb (500 kg)	375 lb	\$4,035.00
18665	191962	4 ft x 4 ft x 3.5 in	5,000 lb (2,500 kg)	375 lb	\$4,035.00
18666	191964	4 ft x 4 ft x 3.5 in	10,000 lb (5,000 kg)	490 lb	\$5,935.00
18667	191965	4 ft x 5 ft x 3.5 in	5,000 lb (2,500 kg)	437 lb	\$4,605.00
18668	191966	4 ft x 5 ft x 3.5 in	10,000 lb (5,000 kg)	567 lb	\$6,875.00
18671	191967	5 ft x 5 ft x 3.5 in	5,000 lb (2,500 kg)	541 lb	\$5,145.00
18672	191968	5 ft x 5 ft x 3.5 in	10,000 lb (5,000 kg)	696 lb	\$7,780.00
18675	191969	5 ft x 7 ft x 3.5 in	5,000 lb (2,500 kg)	734 lb	\$7,285.00
18676	191970	5 ft x 7 ft x 3.5 in	10,000 lb (5,000 kg)	929 lb	\$10,195.00

[†] Not recommended for use with pallet jacks

Options/Accessories

Part #	Description	Price
N/A	Access ramps, pit frames, bumper guards and portability frames available	See end of section for details
18778	Floor anchor plates, stainless steel (set of 2)	\$45.00
N/A	Four drilled deck holes for scale height adjustment	\$40.00
N/A	Top access junction box	+\$100.00 list price add-on
N/A	Stainless steel deck with RLH35 welded-seal IP67 stainless steel FM approved load cells and hardware	+\$200.00 list price add-on
N/A	Stainless steel deck with RL35082 hermetically sealed IP69K stainless steel cFMus approved load cells and hardware	+\$500.00 list price add-on
28740	RoughDeck floor stand for indicator, 36.3 in high, stainless steel	\$310.00
Consult	Stainless steel diamond tread plate safety deck	Consult
N/A	Forklift channel option (up to 5 ft x 7 ft, 10,000 lb, accommodates fork tines no larger than (W x H) 5 in x 2 in, fork entry is on opposite side of junction box location)	+\$1,500.00 list price add-on

Specifications

End Load Capacity:

100% full scale at 2,000 lb and 5,000 lb
80% full scale at 10,000 lb

Cable Length:

20 ft (6.1 m)

Threaded Eyebolt:

Hole (1/2-20NF) located in center of deck for easy lifting

Warranty:

RoughDeck HE weldment five years, load cells two years, all other components one year

Approvals:

NTEP Certified, CC 92-001 Class III 5,000d



Standard Features

- Rugged washdown design
- 304 stainless steel construction
- Rigid 304 stainless steel channel frame
- Four stainless steel, welded-seal IP67, shear-beam load cells
- 20 ft of SURVIVOR® EL147HE hostile environment load cell cable
- Remote TuffSeal® JB4SS stainless steel, NEMA Type 4X junction box with signal trim card for remote mounting
- Load cells protected on all four sides
- Smooth stainless steel deck
- Four stainless steel, welded-seal IP67, shear-beam load cells

APPROVALS



Part Number/Price

Part #	Measurement Canada Approved Part #	Size (W x L x H)	Capacity	Est. Weight	Price
18680†	193293	2.5 ft x 2.5 ft x 3.5 in	2,000 lb (1,000 kg)	173 lb	\$2,845.00
18681†	193294	3 ft x 3 ft x 3.5 in	2,000 lb (1,000 kg)	232 lb	\$3,175.00
18682	193296	4 ft x 4 ft x 3.5 in	5,000 lb (2,500 kg)	375 lb	\$4,235.00
18683	193297	4 ft x 4 ft x 3.5 in	10,000 lb (5,000 kg)	490 lb	\$6,135.00
18684	193298	4 ft x 5 ft x 3.5 in	5,000 lb (2,500 kg)	437 lb	\$4,805.00
18685	193307	4 ft x 5 ft x 3.5 in	10,000 lb (5,000 kg)	567 lb	\$7,075.00
18688	193308	5 ft x 5 ft x 3.5 in	5,000 lb (2,500 kg)	541 lb	\$5,345.00
18689	193309	5 ft x 5 ft x 3.5 in	10,000 lb (5,000 kg)	696 lb	\$7,980.00
18692	193310	5 ft x 7 ft x 3.5 in	5,000 lb (2,500 kg)	734 lb	\$7,485.00
18693	193311	5 ft x 7 ft x 3.5 in	10,000 lb (5,000 kg)	929 lb	\$10,395.00

† Not recommended for use with pallet jacks

Options/Accessories

Part #	Description	Price
N/A	Access ramps, pit frames, bumper guards and portability frames available	See end of section for details
18778	Floor anchor plates, stainless steel (set of two)	\$45.00
N/A	Four drilled deck holes for scale height adjustment	\$40.00
N/A	Stainless steel deck with RL35082 hermetically sealed IP69K stainless steel cFMus approved load cells and hardware	+\$300.00 list price add-on
28740	RoughDeck floor stand for indicator, 36.3 in high, stainless steel	\$310.00
Consult	Stainless steel diamond treadplate safety deck	Consult
N/A	Forklift channel option (up to 5 ft x 7 ft, 10,000 lb, accommodates fork tines no larger than (W x H) 5 in x 2 in, fork entry is on opposite side of junction box location)	+\$1,500.00 list price add-on

AutoLift HE

Pit-type, Hostile Environment Stainless Steel Lift Floor Scale



Specifications

End Load Capacity:

100% full scale at 2,000 lb and 5,000 lb
80% full scale at 10,000 lb

Cable Length:

20 ft (6.1 m)

Welding:

Stitch, consult factory if continuous is required

Threaded Eyebolt:

Hole (1/2-20NF) located in center of deck for easy lifting

Warranty:

AutoLift HE weldment five years, load cells two years, all other components one year

Standard Features

- Includes scale, pit frame, pit coping and pneumatic control box
- Rugged washdown design
- 304 stainless steel construction
- Rigid 304 stainless steel channel frame
- Manual, drop-in-place, safety bar
- Four stainless steel, welded seal, shear beam load cells
- Load cells protected on all four sides
- 20 ft of SURVIVOR® hostile environment load cell cable
- Remote TuffSeal® JB4SS stainless steel NEMA Type 4X junction box
- Smooth stainless steel deck
- Four adjustable stainless steel SUREFOOT™ support feet
- Requires 85-100 psi air pressure, opens 43 degrees
- Air lines and pneumatic regulator included; conduit for load cell cable from junction box to indicator is not included

APPROVALS



The pneumatic control box must be located in the safe area.

Part Number/Price

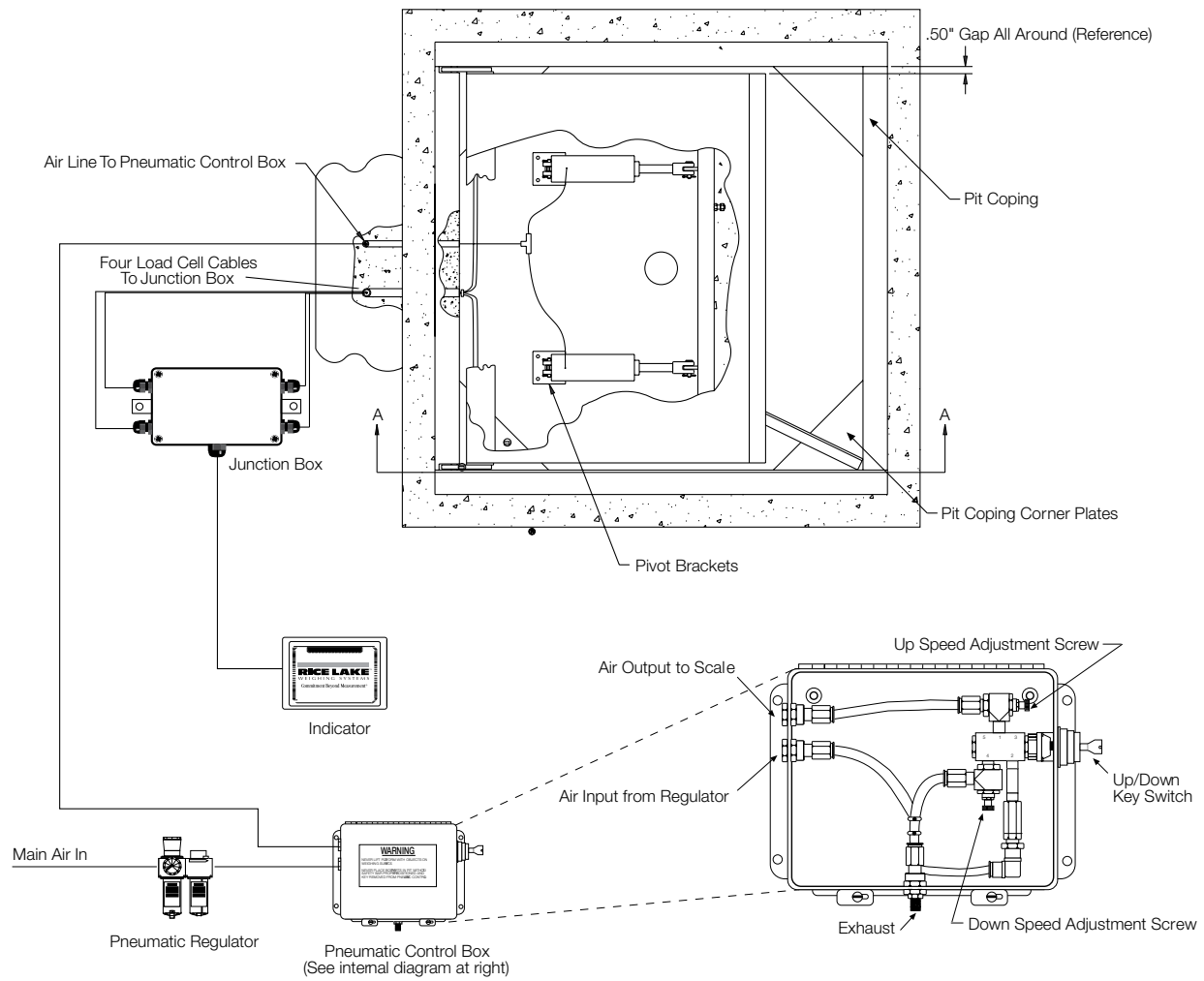
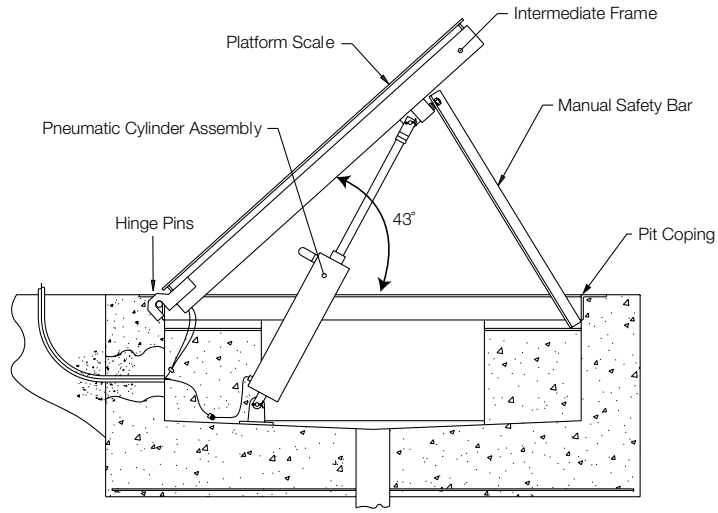
Part #	Size (W x L)	Capacity	Est. Weight	Price
42207	4ft x 4ft	2,000 lb (1,000 kg)	640 lb	\$12,200.00
42208	4ft x 4ft	5,000 lb (2,500 kg)	640 lb	\$12,200.00
42209	4ft x 4ft	10,000 lb (5,000 kg)	750 lb	\$12,600.00
42211	5ft x 5ft	2,000 lb (1,000 kg)	830 lb	\$14,500.00
42212	5ft x 5ft	5,000 lb (2,500 kg)	830 lb	\$14,500.00
42213	5ft x 5ft	10,000 lb (5,000 kg)	1,050 lb	\$14,900.00

Options/Accessories

Part #	Description	Price
Consult	Four drilled deck holes for scale height adjustment	\$40.00
28740	Floor stand for indicator, 36.3 in high stainless steel	\$310.00
N/A	Stainless steel deck with RL35082 hermetically sealed IP69K stainless steel cFMus approved load cells and hardware	+\$300.00 list price add-on

AutoLift HE

Pit-type, Hostile Environment Stainless Steel Lift Floor Scale



RoughDeck® QC-X

Quick Clean Extreme Lift Floor Scale with Solid Plate Base



Specifications

End Load Capacity:

- 100% full scale at 5,000 lb
- 80% full scale at 10,000 lb

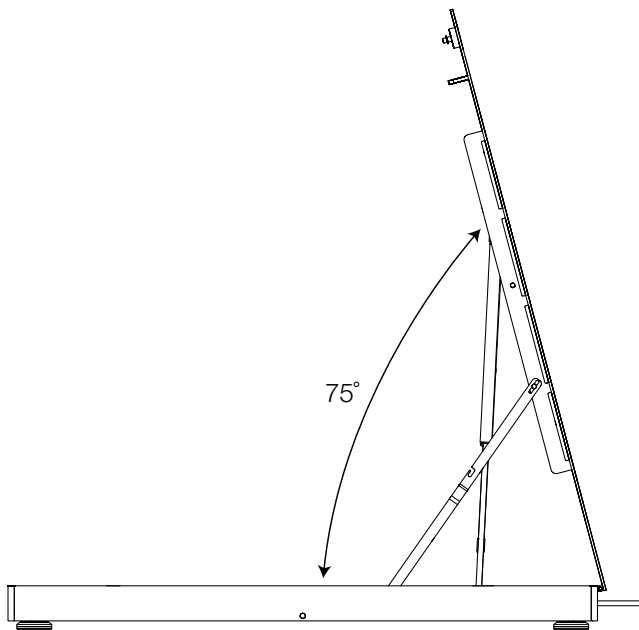
Warranty:

RoughDeck QC-X weldment five years, load cells two years, all other components one year

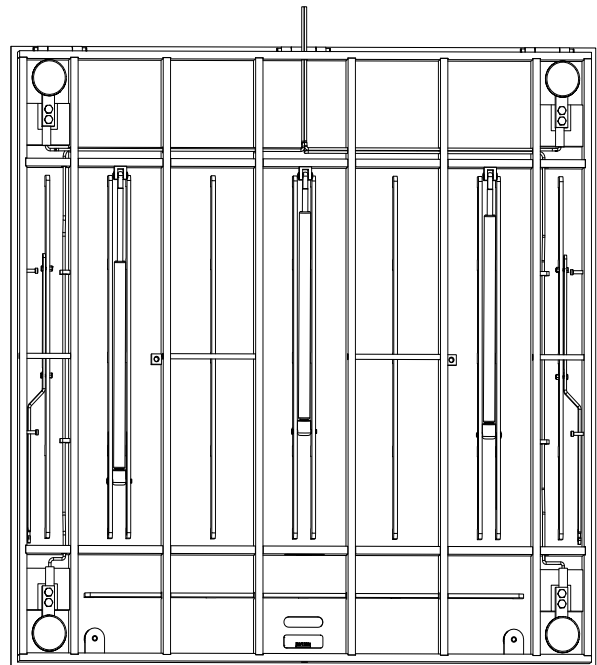
Standard Features

- Rugged washdown design, rigid 304 stainless steel frame constructed with continuous welds
- Manual drop-in-place safety bars
- Four stainless steel, welded seal IP69K, shear-beam load cells
- 20 ft of SURVIVOR® EL147HE hostile environment cable for connecting junction box to indicator
- Remote TuffSeal® JB4SS stainless steel NEMA Type 4X junction box, can be mounted up to 15 ft away
- 1/4 in top plate
- Four adjustable stainless steel SUREFOOT™ support feet
- Top plate opens 75 degrees
- Tool-less top plate lock downs
- Top plate available with a smooth deck or diamond treadplate
- Two 1/2-20NF threaded eyebolt holes for lifting scale into pit frame

APPROVALS



Upright position



Underdeck View

Part Number/Price

Part #	Size (W x L x H)	Capacity	Est. Weight	Price
Smooth Top Plate				
175686	4 ft x 4 ft x 4.625 in	5,000 lb (2,500 kg)	650 lb	\$8,600.00
175689	4 ft x 4 ft x 4.625 in	10,000 lb (5,000 kg)	650 lb	\$8,600.00
175694	5 ft x 5 ft x 4.625 in	5,000 lb (2,500 kg)	950 lb	\$11,135.00
175695	5 ft x 5 ft x 4.625 in	10,000 lb (5,000 kg)	950 lb	\$11,135.00
Diamond Tread Top Plate				
175688	4 ft x 4 ft x 4.625 in	5,000 lb (2,500 kg)	650 lb	\$9,480.00
175690	4 ft x 4 ft x 4.625 in	10,000 lb (5,000 kg)	650 lb	\$9,480.00
175696	5 ft x 5 ft x 4.625 in	5,000 lb (2,500 kg)	950 lb	\$12,510.00
175697	5 ft x 5 ft x 4.625 in	10,000 lb (5,000 kg)	950 lb	\$12,510.00

Options/Accessories

Part #	Description	Price
28740	RoughDeck floor stand for indicator, 36.3 in high, stainless steel	\$310.00
18778	Floor anchor plates, stainless steel (set of two)	\$45.00
Pit Frames (W x L)		
175691	4 ft x 4 ft	\$1,795.00
175698	5 ft x 5 ft	\$2,150.00
Ramps (Diamond Treadplate Standard)		
175692	4 ft x 3 ft x 4.625 in, fits hinge/handhole side	\$3,125.00
175693	4 ft x 4 ft x 4.625 in, fits hinge/handhole side	\$3,475.00
175699	5 ft x 3 ft x 4.625 in, fits hinge/handhole side	\$3,475.00
175700	5 ft x 4 ft x 4.625 in, fits hinge/handhole side	\$3,825.00
178840	4 ft x 3 ft x 4.625 in, fits side of scale	\$3,125.00
178849	4 ft x 4 ft x 4.625 in, fits side of scale	\$3,475.00
178850	5 ft x 3 ft x 4.625 in, fits side of scale	\$3,475.00
178851	5 ft x 4 ft x 4.625 in, fits side of scale	\$3,825.00



RoughDeck® QC

Quick Clean Stainless Steel Lift Floor Scale



Standard RoughDeck QC is not designed for fork truck traffic or point loading. Please consult factory for pricing on RoughDeck QC special if your application involves either.

Specifications

End Load Capacity:

100% full scale at 2,000 lb and 5,000 lb
80% full scale at 10,000 lb

Cable Length:

20 ft (6.1 m) (for connecting junction box to indicator)

Remote Junction Box:

Stainless steel enclosure can be located up to 10 ft away from scale

Welding:

Stitch, consult if continuous is required

Threaded Eyebolt Hole:

1/2-20NF located in center of deck for easy lifting

Warranty:

RoughDeck QC weldment five years, load cells two years, all other components one year

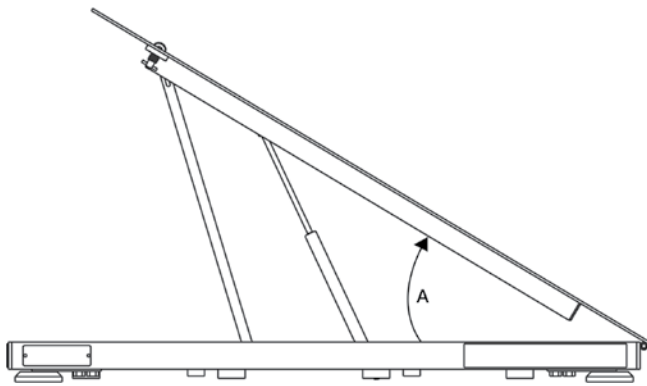
Approvals:

NTEP CC 92-001, Class III 5,000d

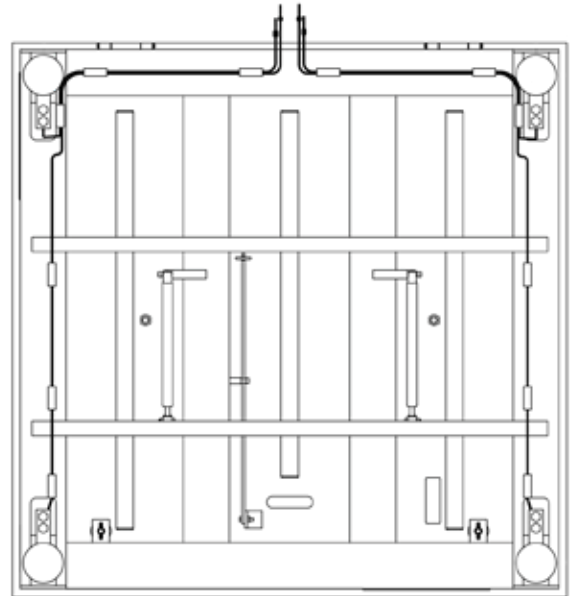
Standard Features

- Rugged washdown design
- Smooth, 304 stainless steel top deck
- Rigid 304 stainless steel tube frame
- Manual drop-in-place safety bar
- Four stainless steel, welded seal IP67, shear-beam load cells
- 20 ft of SURVIVOR® EL147HE hostile environment load cell cable
- Remote TuffSeal® JB4SS stainless steel NEMA Type 4X junction box
- 3/16 in thick smooth top plate
- Four adjustable stainless steel SUREFOOT™ support feet

APPROVALS



(Upright position)
(Hinges are located on "L" dimension)



Underdeck View

Dimensions	
Size of Scale	Degrees
2.5 ft x 2.5 ft	37
3 ft x 3 ft	30
4 ft x 4 ft	30
4 ft x 5 ft	30
4 ft x 6 ft	26
5 ft x 5 ft	25
5 ft x 7 ft	24

Part Number/Price

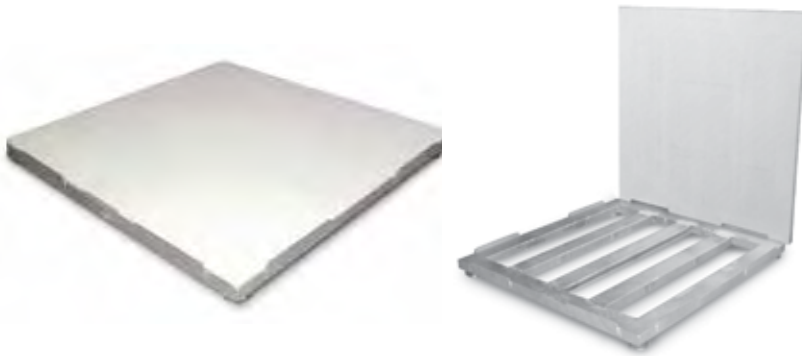
Part #	Size (W x L x H)	Capacity	Est. Weight	Price
50402	2.5 ft x 2.5 ft x 3.5 in	2,000 lb (1,000 kg)	158 lb	\$4,650.00
50403	3 ft x 3 ft x 3.5 in	2,000 lb (1,000 kg)	208 lb	\$5,100.00
50404	4 ft x 4 ft x 3.5 in	2,000 lb (1,000 kg)	338 lb	\$5,750.00
50405	4 ft x 4 ft x 3.5 in	5,000 lb (2,500 kg)	338 lb	\$5,750.00
50406	4 ft x 4 ft x 4.5 in	10,000 lb (5,000 kg)	447 lb	\$6,200.00
50407	4 ft x 5 ft x 3.5 in	2,000 lb (1,000 kg)	406 lb	\$6,415.00
50408	4 ft x 5 ft x 4.5 in	5,000 lb (2,500 kg)	406 lb	\$6,415.00
50409	4 ft x 5 ft x 4.5 in	10,000 lb (5,000 kg)	540 lb	\$7,075.00
50410	4 ft x 6 ft x 4.5 in	2,000 lb (1,000 kg)	477 lb	\$7,075.00
50411	4 ft x 6 ft x 4.5 in	5,000 lb (2,500 kg)	477 lb	\$7,075.00
50412	4 ft x 6 ft x 5.5 in	10,000 lb (5,000 kg)	637 lb	\$7,750.00
50413	5 ft x 5 ft x 4.5 in	2,000 lb (1,000 kg)	478 lb	\$7,075.00
50414	5 ft x 5 ft x 4.5 in	5,000 lb (2,500 kg)	478 lb	\$7,075.00
50415	5 ft x 5 ft x 4.5 in	10,000 lb (5,000 kg)	637 lb	\$8,915.00
50416	5 ft x 7 ft x 5.5 in	2,000 lb (1,000 kg)	705 lb	\$9,610.00
50417	5 ft x 7 ft x 5.5 in	5,000 lb (2,500 kg)	705 lb	\$9,610.00
50418	5 ft x 7 ft x 5.5 in	10,000 lb (5,000 kg)	908 lb	\$10,710.00

Options/Accessories

Part #	Size (W x L x H)	Est. Weight	Price
28740	RoughDeck floor stand for indicator, 36.3 in high, stainless steel		\$310.00
N/A	Stainless steel diamond treadplate safety deck		Consult
N/A	Stainless steel deck with RL35082 hermetically sealed IP69K stainless steel cMus approved load cells and hardware		+\$300.00 list price add-on
18778	Floor anchor plates, stainless steel (set of two)		\$45.00
Access Ramps (Diamond Treadplate Standard) (W x L x H)			
69193	2.5 ft x 4.0 ft x 3.5 in (works with PN 50402)	152 lb	\$1,335.00
69194	3.0 ft x 4.0 ft x 3.5 in (works with PN 50403)	177 lb	\$1,335.00
69195	4.0 ft x 4.0 ft x 3.5 in (works with PN 50404, 50405 and 50407)	224 lb	\$1,855.00
69217	4.0 ft x 4.0 ft x 4.5 in (works with PN 50406, 50408, 50410 and 50411)	234 lb	\$1,875.00
69218	4.0 ft x 4.0 ft x 4.5 in (works with PN 50409)	234 lb	\$1,875.00
69222	4.0 ft x 5.0 ft x 5.5 in (works with PN 50412)	330 lb	\$2,420.00
69219	5.0 ft x 4.0 ft x 4.5 in (works with PN 50413 and 50414)	272 lb	\$2,285.00
69220	5.0 ft x 4.0 ft x 4.5 in (works with PN 50415)	272 lb	\$2,285.00
69223	5.0 ft x 5.0 ft x 5.5 in (works with PN 50416, 50417 and 50418)	380 lb	\$2,995.00
Pit Frames (W x L x D)			
64768	2.5 ft x 2.5 ft x 4 in (works with PN 50402)	89 lb	\$1,035.00
64769	3.0 ft x 3.0 ft x 4 in (works with PN 50403)	102 lb	\$1,035.00
64770	4.0 ft x 4.0 ft x 4 in (works with PN 50404 and 50405)	127 lb	\$1,335.00
64771	4.0 ft x 4.0 ft x 5 in (works with PN 50406)	158 lb	\$1,535.00
64772	4.0 ft x 5.0 ft x 4 in (works with PN 50407)	140 lb	\$1,535.00
64773	4.0 ft x 5.0 ft x 5 in (works with PN 50408)	175 lb	\$1,715.00
64774	4.0 ft x 5.0 ft x 5 in (works with PN 50409)	175 lb	\$1,715.00
64775	4.0 ft x 6.0 ft x 5 in (works with PN 50410 and 50411)	191 lb	\$1,875.00
64776	4.0 ft x 6.0 ft x 6 in (works with PN 50412)	225 lb	\$1,975.00
64777	5.0 ft x 5.0 ft x 5 in (works with PN 50413 and 50414)	191 lb	\$1,875.00
64778	5.0 ft x 5.0 ft x 5 in (works with PN 50415)	191 lb	\$1,875.00
64779	5.0 ft x 7.0 ft x 6 in (works with PN 50416, 50417 and 50418)	270 lb	\$2,215.00

RoughDeck® SD

Sanitary Deck Floor Scale



Important NOTE: Applications where oily substances may be spilled could cause the deck to become slippery—caution should be used.

Specifications

End Load Capacity:

100% full scale at 2,000lb and 5,000lb
80% full scale at 10,000lb

Cable Length:

20ft (6.1 m) (for connecting junction box to indicator)

Remote Junction Box:

Stainless steel enclosure can be located up to 10ft away from scale

Warranty:

RoughDeck SD weldment and load cells two years, all other components one year

Approvals:

NTEP CC 92-001, Class III 5,000d

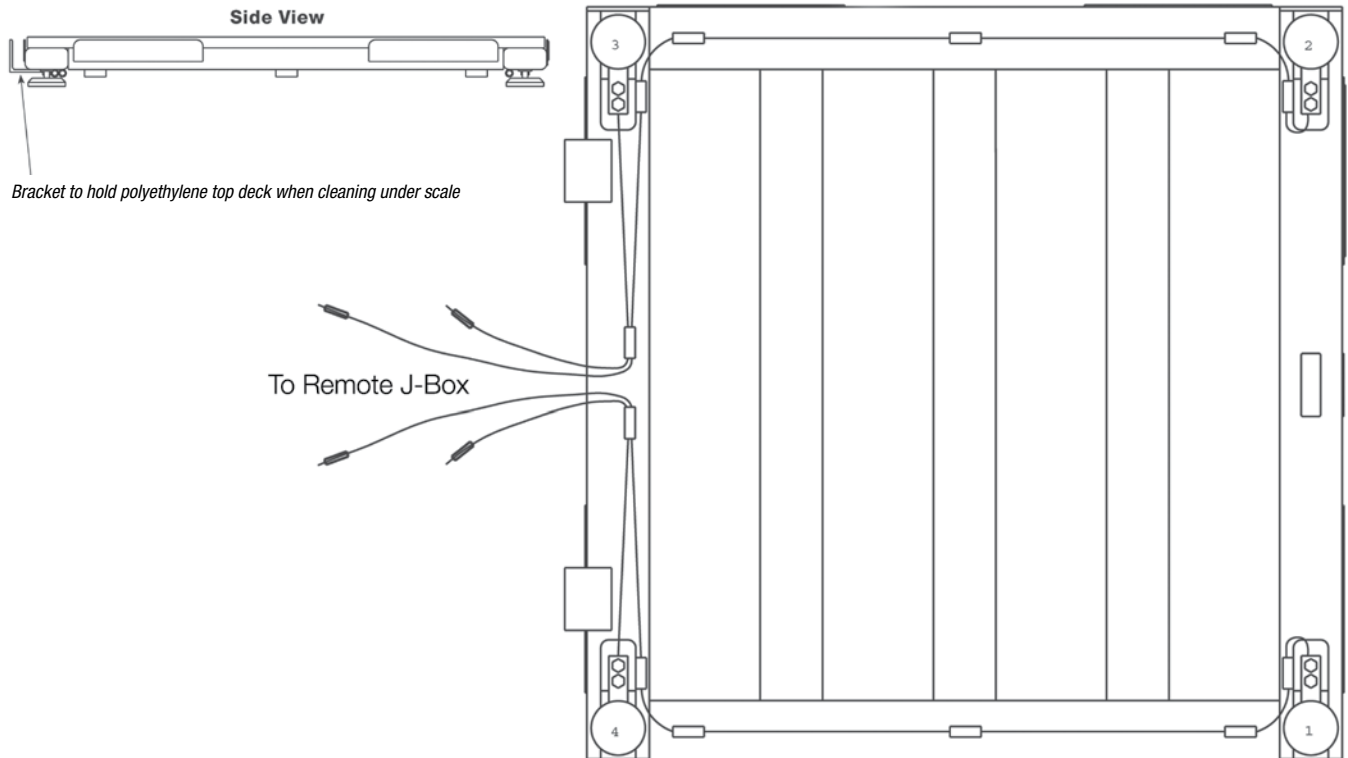
Standard Features

- Rugged washdown design
- 304 stainless steel construction
- Rigid stainless steel tube frame
- Four stainless steel, welded seal, shear-beam load cells
- Load cells protected on all four sides
- 20 ft (6 m) of SURVIVOR® EL147HE hostile environment load cell cable
- Remote TuffSeal® JB4SS stainless steel NEMA Type 4X junction box
- Four adjustable stainless steel SUREFOOT™ support feet
- Removable polyethylene deck (deck weight: 80lb (36.6kg) on 4ft x 4ft size)
- Side brackets to hold deck during washdown

APPROVALS



Underdeck View



Part Number/Price

Part #	Size (W x L x H)	Capacity	Est. Weight	Price
50385	2.5 ft x 2.5 ft x 4.4 in	2,000 lb	158 lb	\$3,880.00
50386	3 ft x 3 ft x 4.4 in	2,000 lb	208 lb	\$3,995.00
50387	4 ft x 4 ft x 4.4 in	2,000 lb	338 lb	\$4,210.00
50388	4 ft x 4 ft x 4.4 in	5,000 lb	338 lb	\$4,210.00
50389	4 ft x 4 ft x 5.4 in	10,000 lb	447 lb	\$4,435.00
50390	4 ft x 5 ft x 4.4 in	2,000 lb	406 lb	\$4,655.00
50391	4 ft x 5 ft x 5.4 in	5,000 lb	406 lb	\$4,655.00
50392	4 ft x 5 ft x 5.4 in	10,000 lb	540 lb	\$4,870.00
50393	4 ft x 6 ft x 5.4 in	2,000 lb	477 lb	\$5,100.00
50394	4 ft x 6 ft x 5.4 in	5,000 lb	477 lb	\$5,100.00
50395	4 ft x 6 ft x 6.4 in	10,000 lb	637 lb	\$5,645.00
50396*	5 ft x 5 ft x 5.4 in	2,000 lb	478 lb	\$5,100.00
50397*	5 ft x 5 ft x 5.4 in	5,000 lb	478 lb	\$5,100.00
50398*	5 ft x 5 ft x 5.4 in	10,000 lb	637 lb	\$5,645.00
50399*	5 ft x 7 ft x 6.4 in	2,000 lb	705 lb	\$7,190.00
50400*	5 ft x 7 ft x 6.4 in	5,000 lb	705 lb	\$7,190.00
50401*	5 ft x 7 ft x 6.4 in	10,000 lb	908 lb	\$8,175.00

* Constructed of two pieces of polyethylene to make up the top deck.

Options/Accessories

Part #	Description	Price
28740	RoughDeck floor stand for indicator, 36.3 in high, stainless steel	\$310.00
N/A	Stainless steel deck with RL35082 hermetically sealed IP69K stainless steel (cFMus approved) load cells and hardware	+\$300.00 list price add-on
18778	Floor anchor plates, stainless steel (set of 2)	\$45.00

Consult factory for these additional options:

- Access ramps
- Pit frames

RoughDeck® PW-1 Mild Steel

Low-profile Pallet Weighing Floor Scale



APPROVALS



Specifications

End Load Capacity:

- 80% full scale at 2,500 lb
- 100% full scale at 5,000 lb

Cable Length:

20 ft (6.1 m) for connecting junction box to indicator

Warranty:

Load cells two years, all other components one year

Standard Features

- Low-profile design
- 20 feet SURVIVOR® EL147HE hostile environment load cell cable
- Top-access junction box
- TuffSeal JB4SS stainless steel, NEMA Type 4X junction box with signal trim card
- Four adjustable stainless steel SUREFOOT™ support feet
- Four NTEP Certified alloy steel, shear beam load cells

Part Number/Price

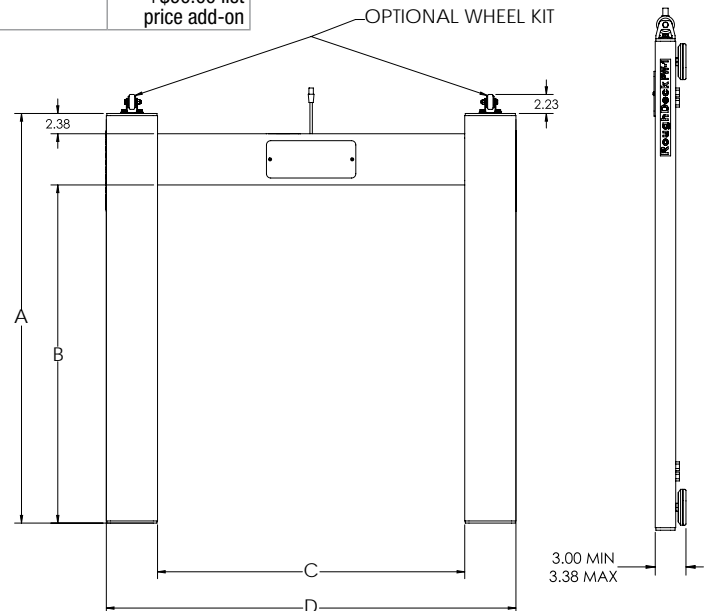
Part #	Size (W x L x H)	Capacity	Est. Weight	Price
177904	48 in x 48 in x 3 in	2,500 lb	200 lb	\$1,610.00
177905	48 in x 60 in x 3 in	2,500 lb	210 lb	\$1,760.00
177906	60 in x 60 in x 3 in	2,500 lb	235 lb	\$1,960.00
177907	48 in x 48 in x 3 in	5,000 lb	200 lb	\$1,610.00
177908	48 in x 60 in x 3 in	5,000 lb	210 lb	\$1,760.00
177909	60 in x 60 in x 3 in	5,000 lb	235 lb	\$1,960.00

Options/Accessories

Part #	Description	Price
18777	Floor anchor plates, mild steel (set of 2)	\$35.00
19352	RoughDeck floor stand for indicator, 36.3 in high, mild steel	\$235.00
126384	RoughDeck floor stand for indicator, 48 in high, mild steel	\$260.00
178250	Wheel kit option	\$95.00
N/A	Mild steel deck with RL35023S stainless steel cFMus approved load cells and hardware	+\$300.00 list price add-on
N/A	Mild steel deck with RLH35 welded-seal IP67 stainless steel FM approved load cells and hardware	+\$500.00 list price add-on
N/A	Mild steel deck with RL35082 hermetically sealed IP69K stainless steel cFMus approved load cells and hardware	+\$800.00 list price add-on
N/A	Epoxy paint	+\$90.00 list price add-on

Dimensions

4 ft x 4 ft (160 lb)	
A	48.00 in
B	39.63 in
C	36.00 in
D	48.00 in
4 ft x 5 ft (170 lb)	
A	48.00 in
B	39.63 in
C	48.00 in
D	60.00 in
5 ft x 5 ft (195 lb)	
A	60.00 in
B	51.63 in
C	48.00 in
D	60.00 in



RoughDeck® PW-1 Stainless Steel

Low-profile Pallet Weighing Floor Scale

Specifications

End Load Capacity:

- 80% full scale at 2,500 lb
- 100% full scale at 5,000 lb

Cable Length:

20 ft (6.1 m) for connecting junction box to indicator

Warranty:

Load cells two years, all other components one year

Standard Features

- Low-profile design
- 20 feet SURVIVOR® EL147HE hostile environment load cell cable
- Top-access junction box
- TuffSeal JB4SS stainless steel, NEMA Type 4X junction box with signal trim card
- Four adjustable stainless steel SUREFOOT™ support feet
- Four NTEP Certified stainless steel, shear beam load cells



APPROVALS

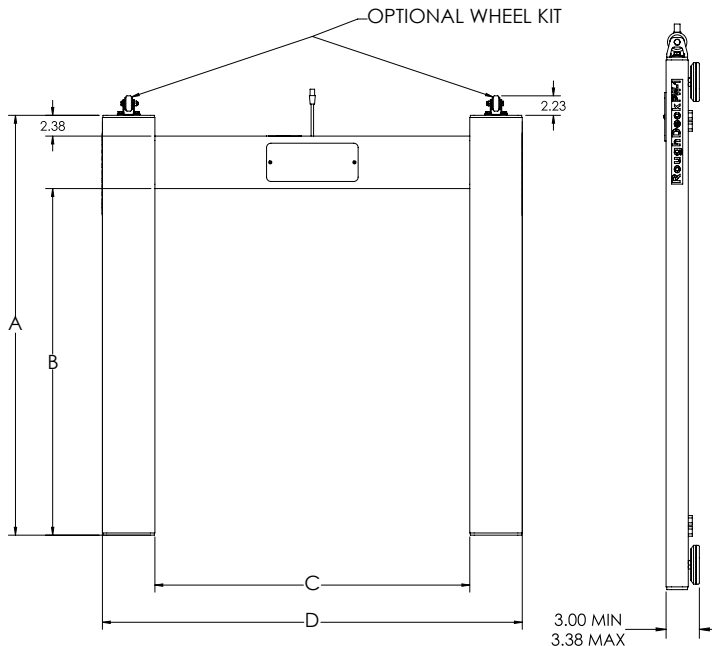


Part Number/Price

Part #	Size (W x L x H)	Capacity	Est. Weight	Price
177910	48 in x 48 in x 3 in	2,500 lb	200 lb	\$3,500.00
177911	48 in x 60 in x 3 in	2,500 lb	210 lb	\$3,700.00
177912	60 in x 60 in x 3 in	2,500 lb	235 lb	\$3,900.00
177913	48 in x 48 in x 3 in	5,000 lb	200 lb	\$3,500.00
177914	48 in x 60 in x 3 in	5,000 lb	210 lb	\$3,700.00
177915	60 in x 60 in x 3 in	5,000 lb	235 lb	\$3,900.00

Options/Accessories

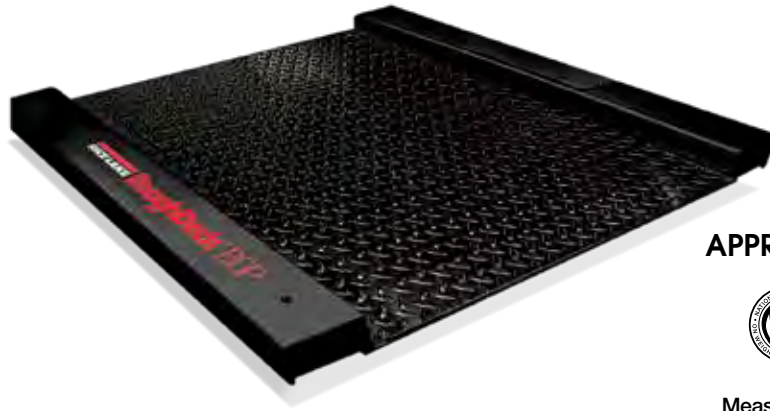
Part #	Description	Price
18778	Floor anchor plates, stainless steel (set of 2)	\$45.00
28740	RoughDeck floor stand for indicator, 36.3 in high, stainless steel	\$310.00
178250	Wheel kit option	\$95.00
N/A	Stainless steel deck with RLH35 welded-seal IP67 stainless steel FM approved load cells and hardware	+\$200.00 list price add-on
N/A	Stainless steel deck with RL35082 hermetically sealed IP69K stainless steel cFMus approved load cells and hardware	+\$500.00 list price add-on



Dimensions	
4 ft x 4 ft (160 lb)	
A	48.00 in
B	39.63 in
C	36.00 in
D	48.00 in
4 ft x 5 ft (170 lb)	
A	48.00 in
B	39.63 in
C	48.00 in
D	60.00 in
5 ft x 5 ft (195 lb)	
A	60.00 in
B	51.63 in
C	48.00 in
D	60.00 in

RoughDeck® BDP Mild Steel

Barrel, Drum, Pallet Scale – Stationary Model



APPROVALS



Measurement
Canada
Approved



Specifications

End Load Capacity:

- 1,000 lb: 100% full scale
- 2,500 lb: 80% full scale

Cable Length:

10 ft (3 m)

Threaded Eyebolt:

Hole (1/2-13NC) located in center of deck for easy lifting

Warranty:

RoughDeck BDP weldment three years, load cells two years, all other components one year

Approvals:

NTEP CC 03-060, Class III 2,500d
Measurement Canada AM-5578
(500 kg) Class III 2,500d
(1,000 kg) Class III 2,000d

Standard Features

- Live siderails
- Top access foot adjustment holes (holes are 1/2-13 threaded for lifting scale)
- Four adjustable stainless steel SUREFOOT™ support feet
- TuffSeal® JB4SS stainless steel, NEMA Type 4X junction box with signal trim card
- Treaded top plate
- Alloy steel load cells

Part Number/Price

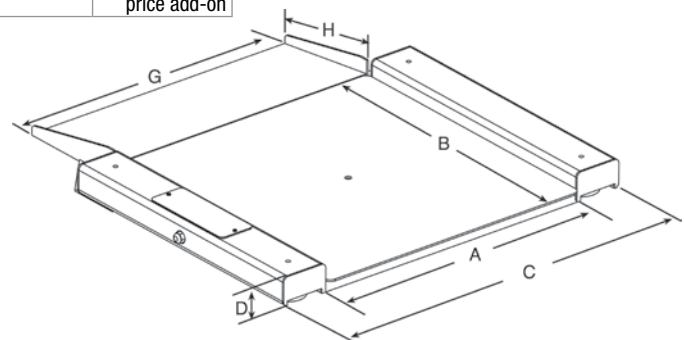
Part #	Size (W x L) Not Including Side Rails	Capacity (Canadian Approved Capacities)	Est. Weight	Price
77962	30 in x 31 in	1,000 lb (500 kg)	205 lb	\$1,725.00
77963	30 in x 31 in	2,500 lb (1,000 kg)	205 lb	\$1,725.00
77964	36 in x 37 in	1,000 lb (500 kg)	265 lb	\$1,850.00
77965	36 in x 37 in	2,500 lb (1,000 kg)	265 lb	\$1,850.00
Access Ramps				
78011	30 in x 12 in (sold individually)		25 lb	\$225.00
78012	36 in x 12 in (sold individually)		30 lb	\$225.00

Options/Accessories

Part #	Description	Price
18777	Floor anchor plates, mild steel, set of 2 (for use with static scale, without ramps)	\$35.00
19352	RoughDeck floor stand for indicator, 36.3 in high, mild steel (for use with static scale)	\$235.00
126384	RoughDeck floor stand for indicator, 48 in high, mild steel	\$260.00
N/A	Mild steel deck with RL35023S stainless steel (cFMus approved) load cells, and hardware	+\$300.00 list price add-on
N/A	Mild steel deck with RLH35 welded seal IP67 stainless steel (FM approved) load cells and hardware	+\$500.00 list price add-on
N/A	Mild steel deck with RL35082 hermetically sealed IP69K stainless steel cFMus approved load cells and hardware	+\$800.00 list price add-on

Dimensions Roughdeck BDP with access ramp

30 in x 31 in models			
A	30.0 in (762 mm)	D	3.31 in (84.1 mm)
B	31.0 in (787.4 mm)	G	30.0 in (762 mm)
C	40.0 in (1016 mm)	H	12.0 in (304.8 mm)
36 in x 37 in models			
A	36.0 in (914.4 mm)	D	3.31 in (84.1 mm)
B	37.0 in (939.8 mm)	G	36.0 in (914.4 mm)
C	46.0 in (1168.4 mm)	H	12.0 in (304.8 mm)



Distance from floor to top of center weighing surface: 1.625 in (41.2 mm)
Distance from floor to bottom of weighing surface: 0.31 in (7.87 mm)

RoughDeck® BDP Mild Steel

Barrel, Drum, Pallet Scale – Portable Model

Standard Features

- Live siderails
- Top access foot adjustment holes
- Holes are 1/2-13 threaded for lifting scale
- Four adjustable stainless steel SUREFOOT™ support feet
- TuffSeal® JB4SS stainless steel, NEMA Type 4X junction box with signal trim card
- Treaded top plate
- Alloy steel load cells

Specifications

End Load Capacity:

- 1,000 lb: 100% full scale
- 2,500 lb: 80% full scale

Cable Length:

10 ft (3m)

Threaded Eyebolt:

Hole (1/2-13NC) located in center of deck for easy lifting

Warranty:

RoughDeck BDP weldment three years, load cells two years, all other components one year

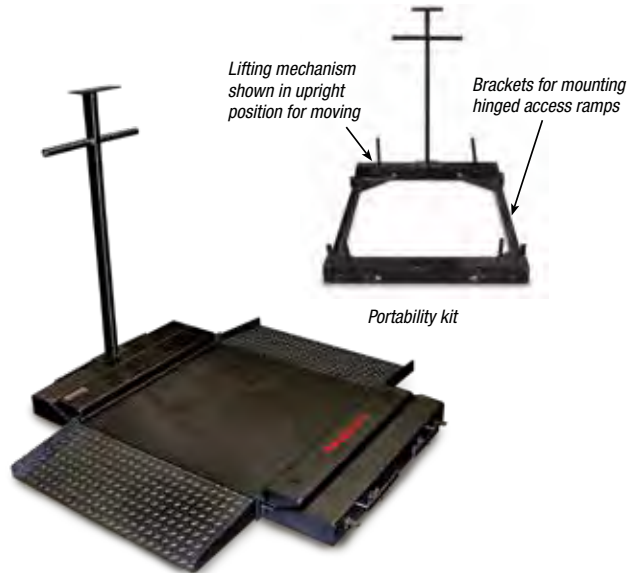
Approvals:

NTEP CC 03-060, Class III 2,500 d
Measurement Canada AM-5578
(500 kg) Class III 2,500 d;
(1,000 kg) Class III 2,000 d

APPROVALS



Measurement
Canada
Approved



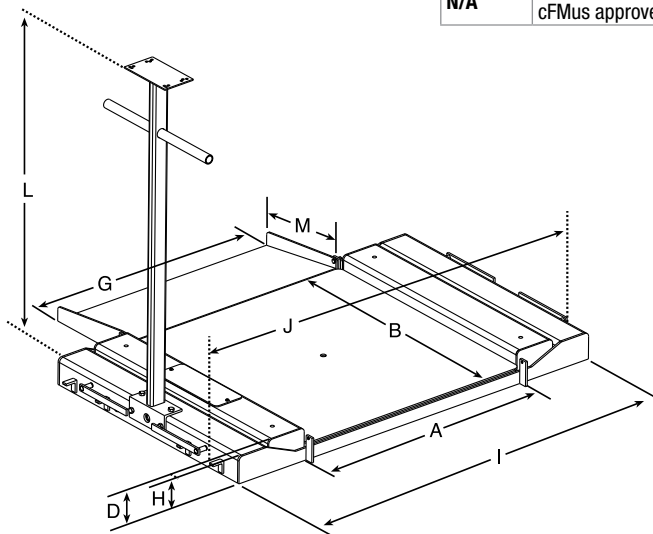
Scale shown with optional portability kit

Part Number/Price

Part #	Size (W x L) Not Including Side Rails	Capacity (Canadian Approved Capacities)	Est. Weight	Price
77962	30 in x 31 in	1,000 lb (500 kg)	205 lb	\$1,725.00
77963	30 in x 31 in	2,500 lb (1,000 kg)	205 lb	\$1,725.00
77964	36 in x 37 in	1,000 lb (500 kg)	265 lb	\$1,850.00
77965	36 in x 37 in	2,500 lb (1,000 kg)	265 lb	\$1,850.00
Portability Kits				
Kits Include: Frame, two swivel and two fixed zinc plated steel NSF approved wheels (75lb max. load capacity), indicator stand				
78021	For use with 30 in x 31 in scale		90 lb	\$825.00
78022	For use with 36 in x 37 in scale		100 lb	\$825.00
Hinged Access Ramps: For use with portability kit				
78015	29.25 in x 12 in (sold individually)		25 lb	\$225.00
78016	35.25 in x 12 in (sold individually)		30 lb	\$225.00

Options/Accessories

Part #	Description	Price
N/A	Mild steel deck with RL35023S stainless steel cFMus approved load cells, and hardware	+\$300.00 list price add-on
N/A	Mild steel deck with RLH35 welded-seal IP67 stainless steel FM approved load cells and hardware	+\$500.00 list price add-on
N/A	Mild steel deck with RL35082 hermetically sealed IP69K stainless steel cFMus approved load cells and hardware	+\$800.00 list price add-on



Dimensions with portability frame & hinged access ramps

30 in x 31 in models

A	30.0 in (762 mm)	I	49.25 in (1250.9 mm)
B	31.0 in (787.4 mm)	J	52.25 in (1327.1 mm)
D	3.66 in (92.9 mm)	L	40.37 in (1025.4 mm)
G	29.25 in (742.9 mm)	M	12.0 in (304.8 mm)
H	3.25 in (82.5 mm)		

36 in x 37 in models

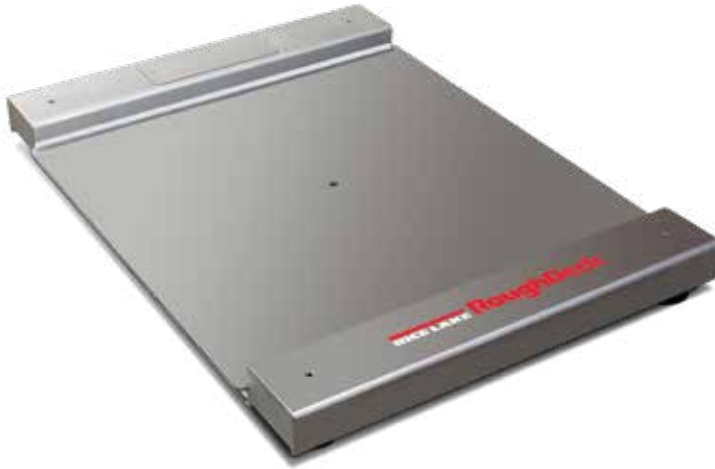
A	36.0 in (914.4 mm)	I	55.25 in (1403.4 mm)
B	37.0 in (939.8 mm)	J	58.25 in (1479.5 mm)
D	3.66 in (92.9 mm)	L	40.37 in (1025.4 mm)
G	35.25 in (895.3 mm)	M	12.0 in (304.8 mm)
H	3.25 in (82.5 mm)		

Distance from floor to top of center weighing surface: 1.94 in (49.2 mm)

Distance from floor to bottom of weighing surface: 0.62 in (15.7 mm)

RoughDeck® BDP Stainless Steel

Barrel, Drum, Pallet Scale - Stationary Model



APPROVALS



Measurement
Canada
Approved



Specifications

End Load Capacity:

- 1,000 lb: 100% full scale
- 2,500 lb: 80% full scale

Cable Length:

10 ft (3 m)

Threaded Eyebolt:

Hole (1/2-13NC) located in center of deck for easy lifting

Warranty:

RoughDeck BDP weldment three years, load cells two years, all other components one year

Approvals:

NTEP CC 03-060, Class III 2,500 d
Measurement Canada AM-5578
(500 kg) Class III 2,500 d
(1,000 kg) Class III 2,000 d
RLH35 load cells in PN 77971, 77972, 77973, and 77974 are not Canada FM approved

Standard Features

- Live siderails
- Top access foot adjustment holes (holes are 1/2-13 threaded for lifting scale)
- Four adjustable stainless steel SUREFOOT™ support feet
- TuffSeal® JB4SS stainless steel, NEMA Type 4X junction box with signal trim card
- Smooth top plate
- Stainless steel or stainless steel with welded-seal (IP67) load cells

Part Number/Price

Part #	Size (W x L)	Capacity (Canadian Approved Capacities)	Est. Weight	Price
77967	30 in x 31 in	1,000 lb (500 kg)	205 lb	\$3,495.00
77968	30 in x 31 in	2,500 lb (1,000 kg)	205 lb	\$3,495.00
77969	36 in x 37 in	1,000 lb (500 kg)	265 lb	\$3,595.00
77970	36 in x 37 in	2,500 lb (1,000 kg)	265 lb	\$3,595.00
Stainless Steel with Stainless Steel Welded-Seal (IP67) Load Cells (Not Canada FM Approved)				
77971	30 in x 31 in	1,000 lb (500 kg)	205 lb	\$3,695.00
77972	30 in x 31 in	2,500 lb (1,000 kg)	205 lb	\$3,695.00
77973	36 in x 37 in	1,000 lb (500 kg)	265 lb	\$3,795.00
77974	36 in x 37 in	2,500 lb (1,000 kg)	265 lb	\$3,795.00
Access Ramps				
78013	30 in x 12 in (sold individually)		25 lb	\$315.00
78014	36 in x 12 in (sold individually)		30 lb	\$315.00

Options/Accessories

Part #	Description	Price
18778	Floor anchor plates, stainless steel, set of 2 (for use with static scale, without ramps)	\$45.00
28740	Floor stand for indicator, 36.3 in high, stainless steel (for use with static scale)	\$310.00
N/A	Stainless steel deck with RL35082 hermetically sealed IP69K stainless steel (cFMus approved) load cells and hardware if you add to first subset (PN 77967, 77968, 77969, 77970)	+\$500.00 list price add-on
N/A	Stainless steel deck with RL35082 hermetically sealed IP69K stainless steel (cFMus approved) load cells and hardware if you add to second subset (PN 77971, 77972, 77973, 77974)	+\$300.00 list price add-on
Consult	Stainless steel diamond treadplate safety deck	Consult

Dimensions Roughdeck BDP with access ramp

30 in x 31 in models

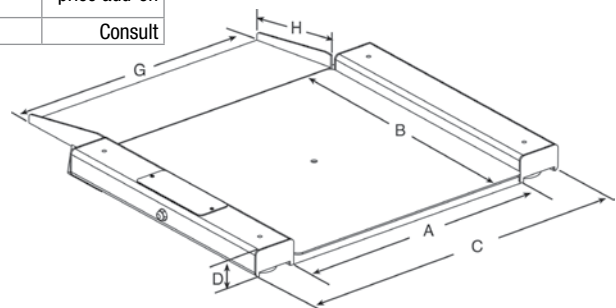
A	30.0 in (762 mm)	D	3.31 in (84.1 mm)
B	31.0 in (787.4 mm)	G	30.0 in (762 mm)
C	40.0 in (1016 mm)	H	12.0 in (304.8 mm)

36 in x 37 in models

A	36.0 in (914.4 mm)	D	3.31 in (84.1 mm)
B	37.0 in (939.8 mm)	G	36.0 in (914.4 mm)
C	46.0 in (1168.4 mm)	H	12.0 in (304.8 mm)

Distance from floor to top of center weighing surface:
1.625 in (41.2 mm)

Distance from floor to bottom of weighing surface:
0.31 in (7.87 mm)



RoughDeck® BDP Stainless Steel

Barrel, Drum, Pallet Scale – Portable Model

Standard Features

- Live siderails
- Top access foot adjustment holes
- Holes are 1/2-13 threaded for lifting scale
- Four adjustable stainless steel SUREFOOT™ support feet
- TuffSeal® JB4SS stainless steel, NEMA Type 4X junction box with signal trim card
- Smooth top plate
- Stainless steel or stainless steel with welded-seal (IP67) load cells

Specifications

End Load Capacity:

1,000 lb: 100% full scale; 2,500 lb: 80% full scale

Cable Length:

10 ft (3 m)

Threaded Eyebolt:

Hole (1/2-13NC) located in center of deck for easy lifting

Warranty:

Weldment three years, load cells two years, all other components one year

Approvals:

NTEP CC 03-060, Class III 2,500 d
Measurement Canada AM-5578 (500 kg) Class III 2,500 d; (1000 kg) Class III 2,000 d
RLH35 load cells in PN 77971, 77972, 77973, and 77974 are not Canada FM approved

APPROVALS



Measurement
Canada
Approved



Portability kit

Scale shown with optional portability kit

Part Number/Price

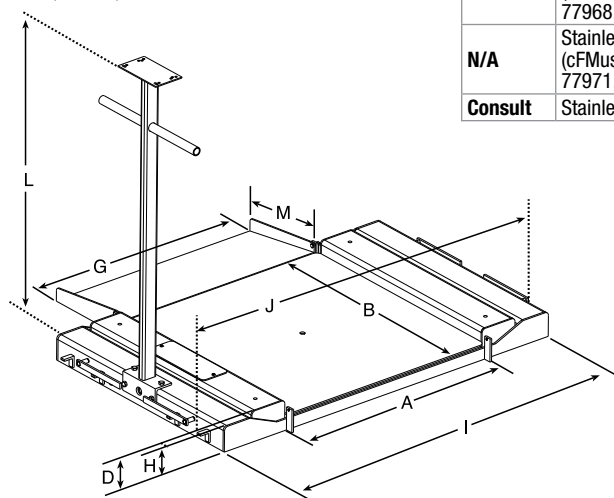
Part #	Size (W x L) Not Including Siderails	Capacity (Canadian Approved Capacities)	Est. Weight	Price
77967	30 in x 31 in	1,000 lb (500 kg)	205 lb	\$3,495.00
77968	30 in x 31 in	2,500 lb (1,000 kg)	205 lb	\$3,495.00
77969	36 in x 37 in	1,000 lb (500 kg)	265 lb	\$3,595.00
77970	36 in x 37 in	2,500 lb (1,000 kg)	265 lb	\$3,595.00
Stainless steel with stainless steel welded-seal (IP67) load cells (Not Canada FM Approved)				
77971	30 in x 31 in	1,000 lb (500 kg)	205 lb	\$3,695.00
77972	30 in x 31 in	2,500 lb (1,000 kg)	205 lb	\$3,695.00
77973	36 in x 37 in	1,000 lb (500 kg)	265 lb	\$3,795.00
77974	36 in x 37 in	2,500 lb (1,000 kg)	265 lb	\$3,795.00
Portability Kits				
Kits Include: Frame, two swivel and two fixed zinc plated steel NSF approved wheels (75 lb max. load capacity), indicator stand				
78023	For use with 30 in x 31 in scale		90 lb	\$1,025.00
78024	For use with 36 in x 37 in scale		100 lb	\$1,080.00
Hinged access ramps: For use with portability kit				
78017	29.25 in x 12 in (sold individually)		25 lb	\$315.00
78018	35.25 in x 12 in (sold individually)		30 lb	\$315.00

Dimensions with portability frame and hinged access ramps

30 in x 31 in models			
A	30.0 in (762 mm)	I	49.25 in (1250.9 mm)
B	31.0 in (787.4 mm)	J	52.25 in (1327.1 mm)
D	3.66 in (92.9 mm)	L	40.37 in (1025.4 mm)
G	29.25 in (742.9 mm)	M	12.0 in (304.8 mm)
H	3.25 in (82.5 mm)		
36 in x 37 in models			
A	36.0 in (914.4 mm)	I	55.25 in (1403.4 mm)
B	37.0 in (939.8 mm)	J	58.25 in (1479.5 mm)
D	3.66 in (92.9 mm)	L	40.37 in (1025.4 mm)
G	35.25 in (895.3 mm)	M	12.0 in (304.8 mm)
H	3.25 in (82.5 mm)		

Distance from floor to top of center weighing surface:
1.94 in (49.2 mm)

Distance from floor to bottom of weighing surface:
0.62 in (15.7 mm)



Options/Accessories

Part #	Description	Price
N/A	Stainless steel deck with RL35082 hermetically sealed IP69K stainless steel (cFMus approved) load cells and hardware if you add to first subset (PN 77967, 77968, 77969, 77970)	+\$500.00 list price add-on
N/A	Stainless steel deck with RL35082 hermetically sealed IP69K stainless steel (cFMus approved) load cells and hardware if you add to second subset (PN 77971, 77972, 77973, 77974)	+\$300.00 list price add-on
Consult	Stainless steel diamond treadplate safety deck	Consult

DeckHand Rough-n-Ready System

Portable Scale



Scale
and
Indicator
Package



Shown with optional ramp. Factory calibration is done at Rice Lake Weighing Systems.

Specifications

End Load Capacity:

100% end loading

mV/V Output:

2 mV/V

Cable Length:

9 ft 10 in (3 m)

Height:

Weighing platter: 4.5 in height when in weigh mode
Column height: 59 in

Warranty:

Load cells two years, all other components one year

Approvals:

NTEP CC 98-004, Class III, 2,500 d
Measurement Canada AM-5218,
(250 kg and 500 kg) Class III 2,500 d
(1,000 kg) Class III 2,000 d

Standard Features

- Mild steel wheeled frame, base and mast
- 500 lb, 1,000 lb, 2,000 lb capacity
- Large rubber wheels (not rated for IS) simplify movement on uneven floors
- Two IP67 Aluminum load cells
- Package includes: Mild steel DeckHand portable scale and 482 Plus Legend indicator with internal battery
- Factory-wired and calibrated
- See 482 Plus Legend for indicator specifications

APPROVALS



Measurement
Canada
Approved

Part Number/Price

Part #	Overall Size (W x L x H)	Capacity	Est. Weight	Price
Mild Steel with 482 Plus, 115 VAC indicator with internal battery				
169707	31 in x 41 in x 4.5 in	500 lb	343 lb	\$2,865.00
169708	31 in x 41 in x 4.5 in	1,000 lb	363 lb	\$2,865.00
169709	31 in x 41 in x 4.5 in	2,000 lb	380 lb	\$2,975.00
Mild Steel with 482 Plus, 230 VAC indicator with internal battery				
169710	31 in x 41 in x 4.5 in	500 lb	343 lb	\$2,865.00
169711	31 in x 41 in x 4.5 in	1,000 lb	363 lb	\$2,865.00
169712	31 in x 41 in x 4.5 in	2,000 lb	380 lb	\$2,975.00

Options/Accessories

Part #	Description	Est. Weight	Price
43376	Ramp assembly, 500/1,000 lb, mild steel, 25 in x 27 in	100 lb	\$275.00
43378	Ramp assembly, 2,000 lb, mild steel, 25 in x 27 in	100 lb	\$325.00

Standard Features

- Mild or stainless steel frame, base and mast
- Diamond tread top plate, mild or stainless steel
- 500 lb, 1,000 lb, 2,000 lb capacity
- Large rubber wheels (not rated for IS) simplify movement on uneven floors
- Two IP67 Aluminum load cells
- Standard indicator mount with integral handles for the IQ plus 590-DC, 480/480 Plus Legend, and 482/482 Plus Legend

Specifications

End Load Capacity:

100% end loading

mV/V Output:

2 mV/V

Cable Length:

9 ft 10 in (3 m)

Height:

Weighing platter: 4.5 in height when in weigh mode

Column Height:

59 in

Warranty:

DeckHand weldment five years, load cells two years, all other components one year

Approvals:

NTEP Certified, CC 98-004, Class III, 2,500 d
Measurement Canada approved, AM-5218



APPROVALS



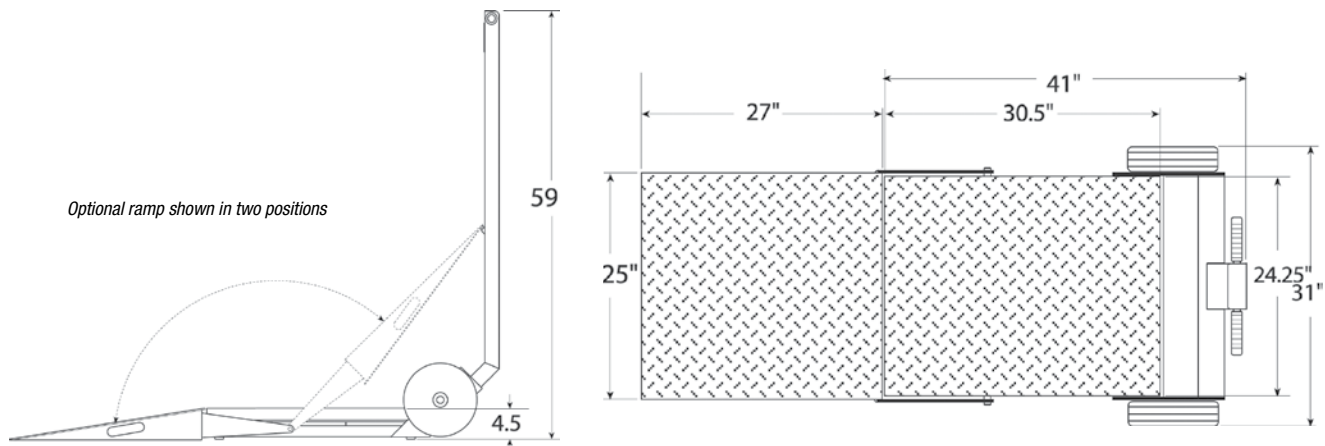
Measurement
Canada
Approved

Part Number/Price

Part #	Overall Size (W x L x H)	Capacity	Est. Weight	Price
Mild Steel				
41293	31 in x 41 in x 4.5 in	500 lb	336 lb	\$2,365.00
41294	31 in x 41 in x 4.5 in	1,000 lb	356 lb	\$2,365.00
41295	31 in x 41 in x 4.5 in	2,000 lb	373 lb	\$2,475.00
Stainless Steel				
41296	31 in x 41 in x 4.5 in	500 lb	336 lb	\$3,290.00
41297	31 in x 41 in x 4.5 in	1,000 lb	356 lb	\$3,290.00
41298	31 in x 41 in x 4.5 in	2,000 lb	373 lb	\$3,490.00

Options/Accessories

Part #	Description	Price
Mild Steel		
43376	500/1,000 lb mild steel ramp	\$275.00
43378	2,000 lb mild steel ramp	\$325.00
Stainless Steel		
43377	Ramp assembly, 500/1,000 lb, stainless steel, 25 in x 27 in	\$670.00
43379	Ramp assembly, 2,000 lb, stainless steel, 25 in x 27 in	\$775.00
Consult	Smooth top	N/C



Optional ramp shown in two positions

RL1200

Portable Beam Scale



Specifications

Construction:

Cast-iron platform, base and levers

Poise:

Steel locking screw provided

Platform Dimensions:

(L x W) 24 in x 18 in

Capacity:

1,000 lb or 500 kg

Approvals:

NTEP Certified 93-004 Class III 2,000 d (avoirdupois beam only)

Warranty:

One-year limited warranty

APPROVALS



Standard Features

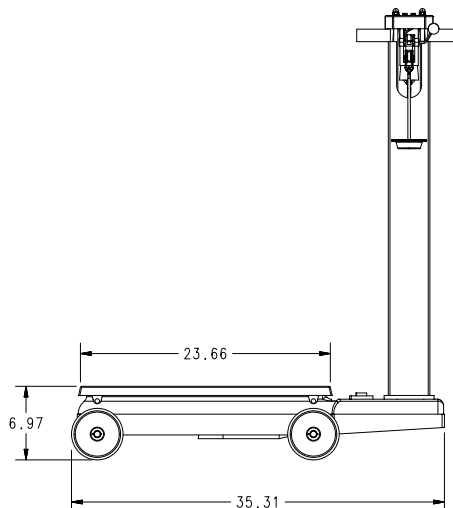
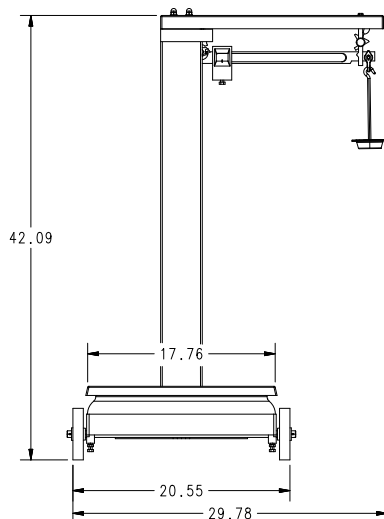
- NTEP Certified
- Cast iron construction
- 1,000 lb or 500 kg capacity models available
- Locking screw knob on poise
- Slotted cast iron counterpoise weights, marked to scale capacity
- Heavy-duty wheels for portability
- Weights and hanger
- Nickel plated steel beam with engraved brass insert

Part Number/Price

Part #	Overall Size (W x L x H)	Capacity	Est. Weight	Price
157982	Avoirdupois beam, NTEP Certified	1,000 lb x 0.5 lb	200 lb	\$825.00
157983	Metric beam, non-NTEP Certified	500 kg x 0.2 kg	200 lb	\$825.00

Options/Accessories

Part #	Description	Price
172225	Electronic conversion kit for existing scale (includes: load cell, hardware and 482 with internal battery)	\$1,220.00
172226	Electronic conversion kit for existing scale (includes: load cell, hardware and 482 Plus with internal battery)	\$1,220.00



RL1200 EM

Electromechanical Portable Beam Scale

Specifications

Construction:

Cast-iron platform, base and levers

Platform Dimensions:

(L x W): 24 in x 18 in

Capacity:

1,000 lb

Approvals:

NTEP Certified 93-004 Class III 2,000d (avoirdupois beam only)

Warranty:

One-year limited warranty



Standard Features

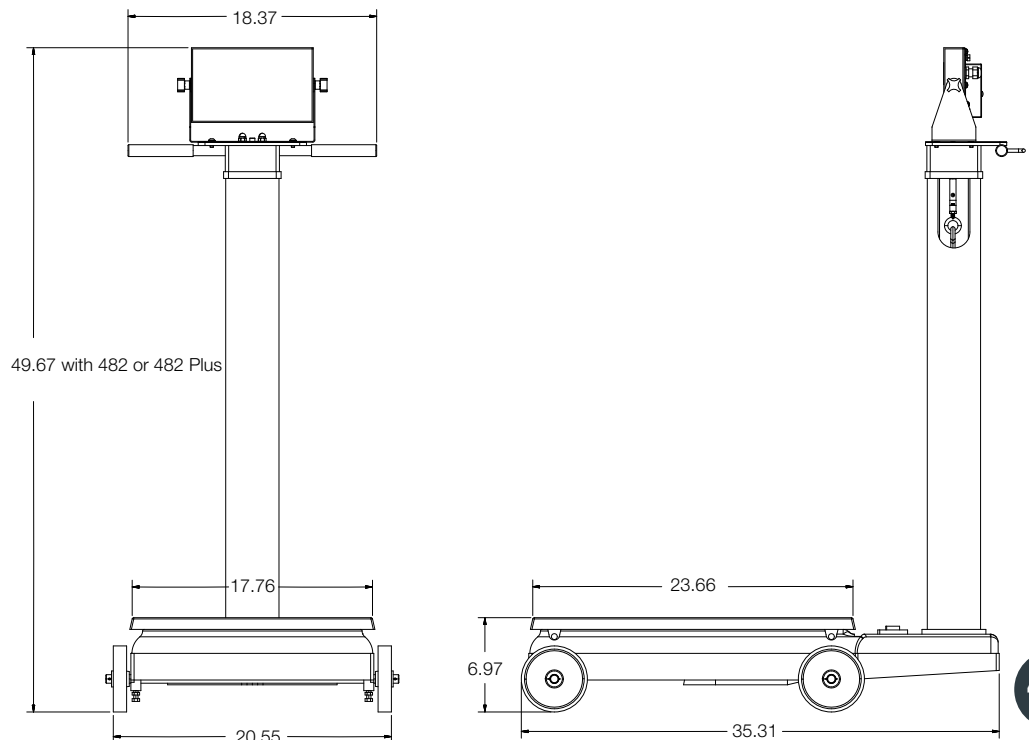
- NTEP Certified
- Cast iron construction
- 1,000 lb capacity
- Heavy-duty wheels and handle for portability
- IQ plus 390-DC, 482 or 482 Plus indicator (see page 506 for specifications)

APPROVALS



Part Number/Price

Part #	Overall Size (W x L x H)	Capacity	Est. Weight	Price
169187	Portable beam with 482 with internal battery	1,000 lb x 0.5 lb	200 lb	\$2,045.00
169188	Portable beam with 482 Plus with internal battery	1,000 lb x 0.5 lb	200 lb	\$2,045.00



RL1200 IS

Intrinsically Safe Electromechanical Portable Beam Scale



Specifications

Construction:

Cast-iron platform, base and levers

Platform Dimensions:

(L x W): 24 in x 18 in

Capacity:

1,000 lb

Approvals:

NTEP Certified 93-004 Class III 2,000d (avoidupois beam only)

Warranty:

One-year limited warranty

Standard Features

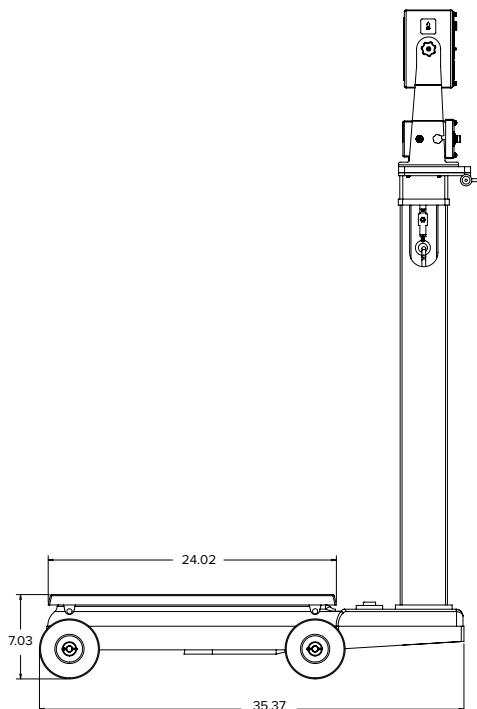
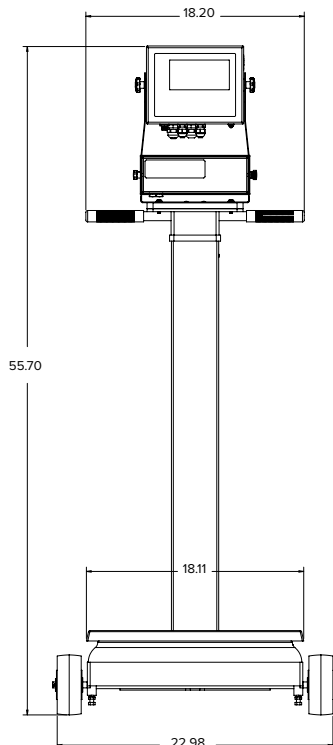
- NTEP Certified
- Cast iron construction
- 1,000 lb capacity
- Conductive wheels to eliminate static build-up and discharge
- Handle for ease of portability
- Intrinsically safe indicator (see indicator section for specifications)

APPROVALS



Part Number/Price

Part #	Overall Size (W x L x H)	Capacity	Est. Weight	Price
195558	Portable beam scale with 882IS, battery pack and charger	1,000 lb x 0.5 lb	200 lb	\$3,185.00
195560	Portable beam scale with 882IS Plus, battery pack and charger	1,000 lb x 0.5 lb	200 lb	\$3,185.00



Specifications

End Load Capacity:

100% full scale

Cable Length:

20 ft (6.1 m) for connecting junction box to indicator

Warranty:

Load cells two years, all other components one year



Standard Features

- Low-profile design
- Black anodized structural aluminum construction
- Diamond-treadplate safety deck
- Four high-alloy tool steel shear-beam load cells
- TuffSeal JB4SS stainless steel, NEMA Type 4X junction box with signal trim card
- Side-access junction box
- 20 feet SURVIVOR® EL147HE hostile environment load cell cable
- Four adjustable stainless steel SUREFOOT™ support feet

APPROVALS



Part Number/Price

Part #	Size (W x L x H)	Capacity	Est. Weight	Price
18677	4 ft x 4 ft x 3.5 in	5,000 lb	150 lb	\$2,695.00

RoughDeck® FXB

Painted Steel and Stainless Steel, Flexure Lever Floor Scale



Specifications

End Loading Capacity:

100% of scale capacity

Safe Overload Capacity:

150% of scale capacity

Warranty:

Two-year limited warranty

Approvals:

Painted steel: NTEP CC 88-100, Class III 5,000 d

Stainless steel: NTEP CC 88-100, Class III 3,000 d

Standard Features

Painted Steel

- Unique flexure design filters motion and shock loading
- Spring steel flexures
- Rugged all-steel painted construction, smooth deck
- One Rice Lake Weighing Systems brand RL20000 series nickel-plated s-beam load cell and plated wire rope
- NTEP Certified models in sizes 24 in x 24 in (500 lb) through 72 in x 96 in up to 10,000 lb capacity

Stainless Steel

- Unique flexure design filters motion and shock loading
- All 304 stainless steel construction, smooth deck
- Stainless flexures, hardware and load cell
- NTEP Certified models in sizes 24 in x 24 in (500 lb) through 72 in x 96 in up to 10,000 lb capacity

APPROVALS

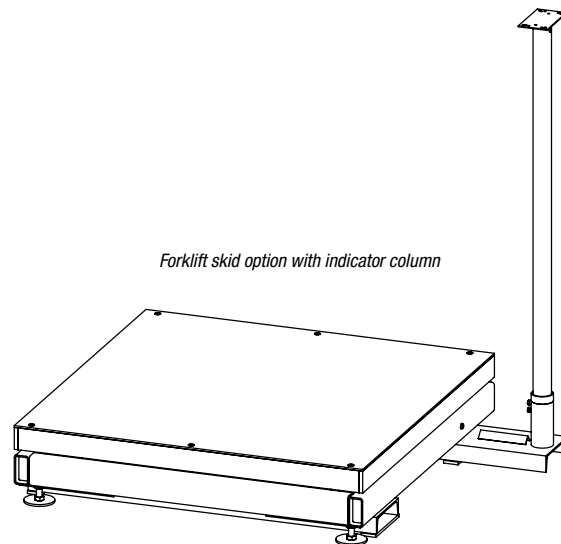


Part Number/Price

Part #	Size (L x W xH)	Capacity	Est. Weight	Price
Painted Steel				
33134	18 in x 24 in x 6.5 in	500 lb (250 kg)	125 lb	\$4,300.00
33066	18 in x 24 in x 6.5 in	1,000 lb (500 kg)	125 lb	\$4,300.00
113566	18 in x 30 in x 6.5 in	500 lb (250 kg)	133 lb	\$4,300.00
33136	18 in x 30 in x 6.5 in	1,000 lb (500 kg)	133 lb	\$4,300.00
113567	18 in x 30 in x 6.5 in	1,500 lb (750 kg)	133 lb	\$4,300.00
33067	24 in x 24 in x 6.5 in	500 lb (250 kg)	151 lb	\$4,300.00
33068	24 in x 24 in x 6.5 in	1,000 lb (500 kg)	151 lb	\$4,300.00
33138	30 in x 30 in x 6.5 in	500 lb (250 kg)	191 lb	\$4,500.00
33069	30 in x 30 in x 6.5 in	1,000 lb (500 kg)	191 lb	\$4,500.00
33139	30 in x 30 in x 6.5 in	1,500 lb (750 kg)	191 lb	\$4,500.00
33070	30 in x 30 in x 8.25 in	2,000 lb (1,000 kg)	281 lb	\$4,700.00
33140	36 in x 36 in x 8.25 in	1,000 lb (500 kg)	234 lb	\$4,700.00
33071	36 in x 36 in x 8.25 in	2,000 lb (1,000 kg)	234 lb	\$4,700.00
33072	36 in x 36 in x 8.25 in	5,000 lb (2,500 kg)	234 lb	\$4,700.00
33141	38 in x 46 in x 8.25 in	1,000 lb (500 kg)	610 lb	\$4,700.00
113569	38 in x 46 in x 8.25 in	2,000 lb (1,000 kg)	610 lb	\$4,700.00
113570	38 in x 46 in x 8.25 in	5,000 lb (2,500 kg)	610 lb	\$4,700.00
113572	48 in x 48 in x 8.25 in	1,000 lb (500 kg)	654 lb	\$5,425.00
33073	48 in x 48 in x 8.25 in	2,000 lb (1,000 kg)	654 lb	\$5,425.00
33074	48 in x 48 in x 8.25 in	5,000 lb (2,500 kg)	654 lb	\$5,425.00
33075	48 in x 48 in x 9.25 in	10,000 lb (5,000 kg)	735 lb	\$6,000.00
33078	48 in x 60 in x 9.25 in	10,000 lb (5,000 kg)	845 lb	\$6,900.00
33149	48 in x 72 in x 9.25 in	5,000 lb (2,500 kg)	1,120 lb	\$7,350.00
33080	48 in x 72 in x 9.25 in	10,000 lb (5,000 kg)	1,120 lb	\$7,350.00
33081	60 in x 60 in x 8.25 in	5,000 lb (2,500 kg)	967 lb	\$7,150.00
33082	60 in x 60 in x 9.25 in	10,000 lb (5,000 kg)	1,180 lb	\$7,400.00
33152	60 in x 60 in x 13.25 in	20,000 lb (10,000 kg)	1,674 lb	\$15,425.00
Stainless Steel				
113581	24 in x 24 in x 6.5 in	500 lb (250 kg)	151 lb	\$5,490.00
113582	24 in x 24 in x 6.5 in	1,000 lb (500 kg)	151 lb	\$5,490.00
113586	30 in x 30 in x 8.25 in	2,000 lb (1,000 kg)	281 lb	\$8,310.00
113588	36 in x 36 in x 8.25 in	2,000 lb (1,000 kg)	450 lb	\$9,090.00
113595	48 in x 48 in x 8.25 in	5,000 lb (2,500 kg)	630 lb	\$12,110.00
113596	48 in x 48 in x 11.25 in	10,000 lb (5,000 kg)	735 lb	\$15,110.00
113613	60 in x 72 in x 11.25 in	10,000 lb (5,000 kg)	1,290 lb	\$21,775.00

Options/Accessories

Part #	Description	Price
Consult	Forklift skid, painted steel FXB-3846 through FXB-6084 provides two eight-channels mounted on customer specified centers. Includes four leveling feet on base	\$595.00
Consult	Forklift skid with indicator column, painted steel FXB-3846 through FXB-6084 provides two eight-channel mounted on customer specified centers with one of the channels extended 12 in and equipped with bolt on indicator column. Indicator display will be 54 in above floor level	\$725.00



Summit® Scale and Indicator Package

Floor Scale/Indicator Package



CHOICE OF 120
OR 120 PLUS

Package is configured, corner-trim, and calibrated for 5,000 divisions before shipping

Floor Scale and Indicator Package

Package includes Summit® 3000 floor scale, 120 PLUS digital weight indicator with tilt stand, 20 ft load cell cable with quick disconnect, configured and calibrated

Standard Features

Summit® 3000 Floor Scale

- Four NTEP Certified alloy steel-shear beam load cells
- Top access junction box
- Rugged diamond safety treadplate steel deck
- Four adjustable rigid polyurethane rubber feet, 3 in (76.2 mm) diameter
- Signal trim summing board housed in ABS enclosure
- Threaded eyebolt hole (1/2–20NF) located in the center of the deck for easy lifting
- 20 ft of EL147 load cell cable with quick disconnect
- Package configured and calibrated for 5,000 divisions

120 Digital Weight Indicator

- Large 0.8 in (20.3 mm) light emitting diode (LED) display
- Five-button operation
- Full front panel digital calibration and configuration

120 PLUS Digital Weight Indicator

- Large 0.8 in backlit liquid crystal display (LCD)
- 115 or 230 VAC wall adapter with rechargeable battery

APPROVALS



Measurement
Canada
Approved

Specifications

Summit 3000 Floor Scale

End Load Capacity:

- 100% full scale at 5,000 lb (2,500 kg)
- 80% full scale at 10,000 lb (5,000 kg)

Cable Length:

20 ft (6.1 m) (for connecting junction box to indicator)

Warranty:

Summit 3000 weldment and load cells two years, all other components one year

Approvals:

NTEP CC 92-001A9, Class III 5,000 d
Measurement Canada AM-5530, Class III 5,000 d
(2,500 kg, 5,000 kg) 2,000 d (1,000 kg)

120/120 Plus Digital Weight Indicator

Power:

120/120 Plus:

Line voltages: 115 or 230 VAC
Frequency: 50 or 60 Hz
120 Plus: (estimated battery life)
60 hours with 1 x 350 Ω
40 hours with 4 x 350 Ω
Charge time 8 hours

Operating Temperature:

Legal: 14° F to 104° F (-10° C to 40° C)
Industrial: 14° F to 122° F (-10° C to 50° C)

Rating/Material:

Enclosure: heavy gauge ABS

Warranty:

One-year limited warranty

120 Approvals:

NTEP CC 03-059, Class III/IIIL 6,000 d
Measurement Canada AM-5517, Class III/IIHD 6,000 d
OIML TC7028 T 5692, 5,000 d
CE marked

120 Plus Approvals:

NTEP CC 03-059, Class III/IIIL 6,000 d
Measurement Canada AM 5517
OIML TC 7626, T5692 5,000 d Class III/IIHD 6,000 d

Summit® Scale and Indicator Package

Floor Scale/Indicator Package

FLOOR SCALES

www.ricelake.com | Phone: 800-472-6703

RICE LAKE

Part Number/Price

Part #	Size (W x L x H)	Capacity	Est. Weight	Price
Floor Scale and Indicator Package (Single Scale)				
Package includes Summit® 3000 floor scale, 120/120 PLUS digital weight indicator with tilt stand, 20ft load cell cable with quick disconnect, configured and calibrated				
115 VAC (120)				
78772	4ft x 4ft x 3.625in	5,000 lb x 1 lb	315 lb	\$1,575.00
78773	4ft x 4ft x 3.625in	10,000 lb x 2 lb	315 lb	\$1,575.00
115 VAC (120 PLUS)				
106913	4ft x 4ft x 3.625in	5,000 lb x 1 lb	315 lb	\$1,725.00
106914	4ft x 4ft x 3.625in	10,000 lb x 2 lb	315 lb	\$1,725.00
230 VAC (120)				
78780	4ft x 4ft x 3.625in	5,000 lb x 1 lb	315 lb	\$1,575.00
78781	4ft x 4ft x 3.625in	10,000 lb x 2 lb	315 lb	\$1,575.00
230 VAC (120 PLUS)				
106915	4ft x 4ft x 3.625in	5,000 lb x 1 lb	315 lb	\$1,725.00
106916	4ft x 4ft x 3.625in	10,000 lb x 2 lb	315 lb	\$1,725.00
115 VAC Measurement Canada Approved (120)				
78776	4ft x 4ft x 3.625in	2,500 lb x 0.5 kg	315 lb	\$1,575.00
78777	4ft x 4ft x 3.625in	5,000 lb x 1 kg	315 lb	\$1,575.00
115 VAC Measurement Canada Approved (120 PLUS)				
106917	4ft x 4ft x 3.625in	2,500 lb x 0.5 kg	315 lb	\$1,725.00
106918	4ft x 4ft x 3.625in	5,000 lb x 1 kg	315 lb	\$1,725.00
Floor Scale and Indicator Package (Five-scale Package)				
Packages include five Summit® 3000 floor scales, five 120/120 Plus digital weight indicators with tilt stands, five 20ft load cell cables with quick disconnect, configured and calibrated				
115 VAC (120)				
78774	4ft x 4ft x 3.625in	5,000 lb x 1 lb	1,665 lb	\$7,575.00
78775	4ft x 4ft x 3.625in	10,000 lb x 2 lb	1,665 lb	\$7,575.00
115 VAC (120 Plus)				
106929	4ft x 4ft x 3.625in	5,000 lb x 1 lb	1,665 lb	\$8,325.00
106930	4ft x 4ft x 3.625in	10,000 lb x 2 lb	1,665 lb	\$8,325.00
230 VAC (120)				
78782	4ft x 4ft x 3.625in	5,000 lb x 1 lb	1,665 lb	\$7,575.00
78783	4ft x 4ft x 3.625in	10,000 lb x 2 lb	1,665 lb	\$7,575.00
230 VAC (120 Plus)				
106931	4ft x 4ft x 3.625in	5,000 lb x 1 lb	1,665 lb	\$8,325.00
106932	4ft x 4ft x 3.625in	10,000 lb x 2 lb	1,665 lb	\$8,325.00
115 VAC Measurement Canada Approved (120)				
78778	4ft x 4ft x 3.625in	2,500 kg x 0.5 kg	1,665 lb	\$7,575.00
78779	4ft x 4ft x 3.625in	5,000 kg x 1 kg	1,665 lb	\$7,575.00
115 VAC Measurement Canada Approved (120 Plus)				
106933	4ft x 4ft x 3.625in	2,500 kg x 0.5 kg	1,665 lb	\$8,325.00
106934	4ft x 4ft x 3.625in	5,000 kg x 1 kg	1,665 lb	\$8,325.00

Options/Accessories

Part #	Description	Price
Summit® 3000 Floor Scale		
N/A	Access ramps, pit frames, bumper guards and portability frames available	See end of section for details
75819	Floor anchor plates, mild steel (set of two)	\$35.00
76012	Additional operating manual	\$10.00
120 Digital Weight Indicator		
77925	Revolution® scale software	\$35.00
103636	Power supply, 120 Plus wall adapter, 115/230 VAC, 5 VDC	\$40.00
76699	Additional operating manual	\$31.00

Summit® 3000

Low-profile Floor Scale



Specifications

End Load Capacity:

100% full scale at 2,000 lb and 5,000 lb
80% full scale at 10,000 lb

Cable Length:

20 ft (6.1 m) (for connecting junction box to indicator)

Warranty:

Summit 3000 weldment and load cells two years, all other components one year

Approvals:

NTEP CC 92-001A9, Class III 5,000 d
Measurement Canada AM-5530, Class III 5,000 d
(2,500 kg, 5,000 kg) 2,000 d (1,000 kg)

Standard Features

- Four NTEP Certified alloy steel shear-beam load cells
- Top access junction box
- Rugged diamond safety tread plate steel deck
- Four adjustable rigid polyurethane rubber feet, 3 in (76.2 mm) diameter
- Signal trim summing board housed in ABS enclosure
- Threaded eyebolt hole (1/2–20NF) located in center of the deck for easy lifting
- 20 ft of EL147 load cell cable. The load cell cable exits weldment toward the interior of scale, allowing flexibility to route out any side of scale to digital weight indicator.

APPROVALS



Measurement
Canada
Approved



Part Number/Price

Part #	Size (W x L x H)	Capacity	Est. Weight	Price
Single Scale				
74715	3 ft x 3 ft x 3.625 in	2,000 lb	190 lb	\$1,250.00
74716	4 ft x 4 ft x 3.625 in	2,000 lb	305 lb	\$1,350.00
74717	4 ft x 4 ft x 3.625 in	5,000 lb	305 lb	\$1,350.00
74718	4 ft x 4 ft x 3.625 in	10,000 lb	305 lb	\$1,350.00
74719	4 ft x 5 ft x 3.625 in	5,000 lb	395 lb	\$1,450.00
74720	4 ft x 5 ft x 3.625 in	10,000 lb	445 lb	\$1,650.00
74721	4 ft x 6 ft x 3.625 in	5,000 lb	470 lb	\$1,550.00
74722	4 ft x 6 ft x 3.625 in	10,000 lb	525 lb	\$1,850.00
74723	5 ft x 5 ft x 3.625 in	5,000 lb	505 lb	\$1,550.00
74724	5 ft x 5 ft x 3.625 in	10,000 lb	575 lb	\$1,850.00
Single Scale—Measurement Canada Approved				
77440	3 ft x 3 ft x 3.625 in	1,000 kg	190 lb	\$1,250.00
77373	4 ft x 4 ft x 3.625 in	1,000 kg	305 lb	\$1,350.00
77346	4 ft x 4 ft x 3.625 in	2,500 kg	305 lb	\$1,350.00
77347	4 ft x 4 ft x 3.625 in	5,000 kg	305 lb	\$1,350.00
82880	4 ft x 5 ft x 3.625 in	2,500 kg	395 lb	\$1,450.00
82881	4 ft x 5 ft x 3.625 in	5,000 kg	445 lb	\$1,650.00
77348	5 ft x 5 ft x 3.625 in	2,500 kg	505 lb	\$1,550.00
77349	5 ft x 5 ft x 3.625 in	5,000 kg	575 lb	\$1,850.00
Five-Scale Package				
75809	3 ft x 3 ft x 3.625 in	2,000 lb	850 lb	\$6,000.00
75810	4 ft x 4 ft x 3.625 in	2,000 lb	1,400 lb	\$6,500.00
75811	4 ft x 4 ft x 3.625 in	5,000 lb	1,400 lb	\$6,500.00
75812	4 ft x 4 ft x 3.625 in	10,000 lb	1,400 lb	\$6,500.00
75813	4 ft x 5 ft x 3.625 in	5,000 lb	1,870 lb	\$7,000.00
75814	4 ft x 5 ft x 3.625 in	10,000 lb	2,115 lb	\$8,000.00
75815	4 ft x 6 ft x 3.625 in	5,000 lb	2,210 lb	\$7,500.00
75816	4 ft x 6 ft x 3.625 in	10,000 lb	2,495 lb	\$9,000.00
75817	5 ft x 5 ft x 3.625 in	5,000 lb	2,325 lb	\$7,500.00
75818	5 ft x 5 ft x 3.625 in	10,000 lb	2,675 lb	\$9,000.00
Five-Scale—Measurement Canada Approved				
77472	3 ft x 3 ft x 3.625 in	1,000 kg	850 lb	\$6,000.00
77473	4 ft x 4 ft x 3.625 in	1,000 kg	1,400 lb	\$6,500.00
77474	4 ft x 4 ft x 3.625 in	2,500 kg	1,400 lb	\$6,500.00
77475	4 ft x 4 ft x 3.625 in	5,000 kg	1,400 lb	\$6,500.00
82885	4 ft x 5 ft x 3.625 in	2,500 kg	1,870 lb	\$7,000.00
82886	4 ft x 5 ft x 3.625 in	5,000 kg	2,115 lb	\$8,000.00
77476	5 ft x 5 ft x 3.625 in	2,500 kg	2,325 lb	\$7,500.00
77477	5 ft x 5 ft x 3.625 in	5,000 kg	2,675 lb	\$9,000.00

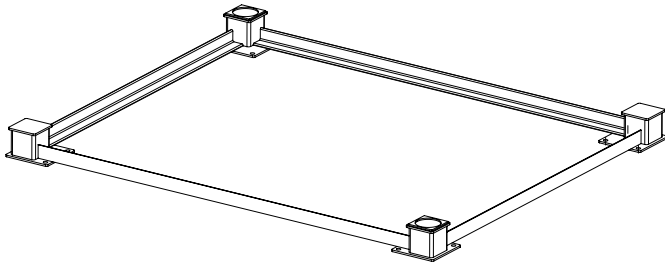
Options/Accessories

Part #	Description	Est. Weight	Price
75819	Floor anchor plates, mild steel (set of two)	—	\$35.00
Consult	Top access foot adjust holes	—	\$40.00

*For custom sizes or capacities, please consult factory for RoughDeck® HP pricing

Floor Scale Pit Mounted Riser Stand

Please complete and email this form to orderdesk@ricelake.com for pricing.



Standard Features

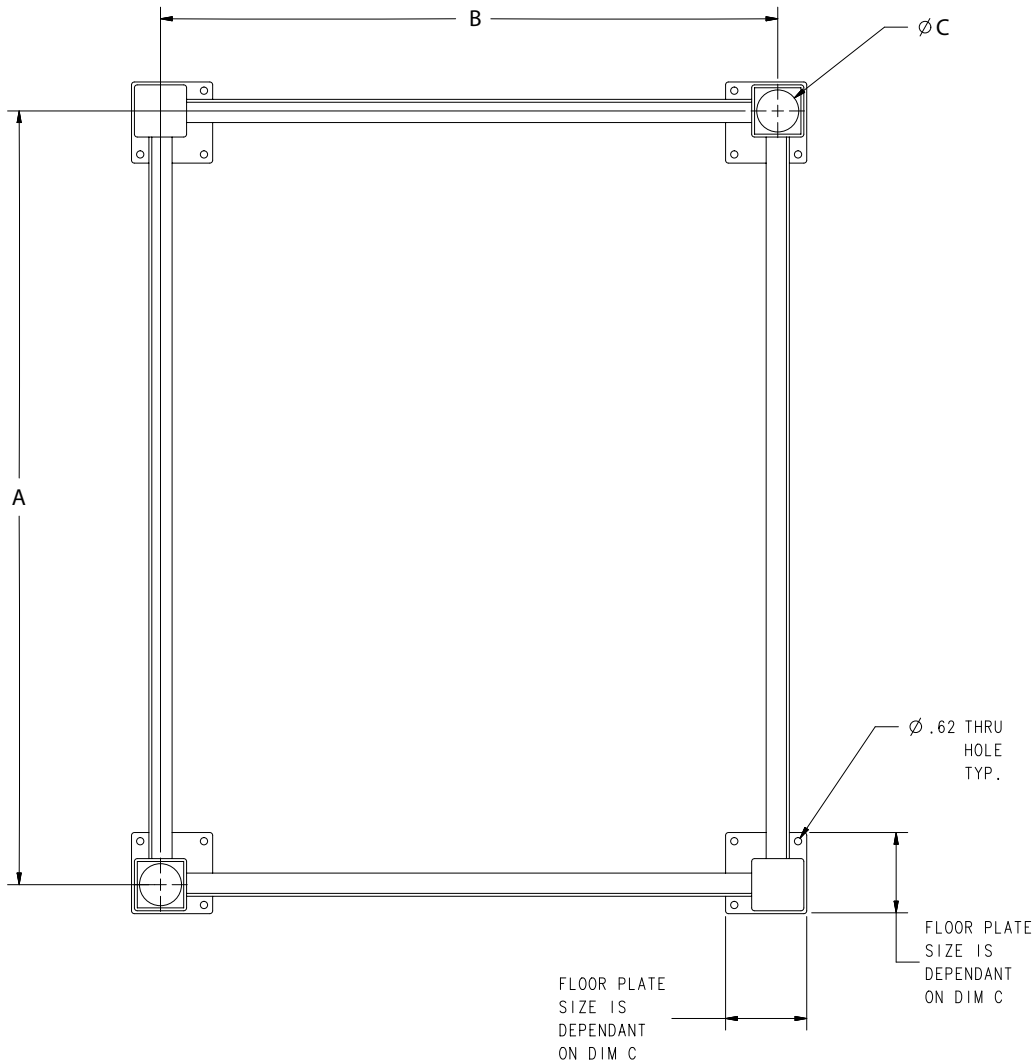
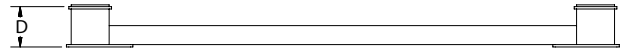
- Ideal for applications where you have an existing pit and the depth exceeds the standard pit depth for the scale
- Designed to be anchored to pit floor (anchor bolts not included)

Painted Mild Steel:

Stainless Steel:

Scale Capacity: _____

A	
B	
C	
D	



RoughDeck® Access Ramps



RoughDeck Access Ramps

Part #	Size (W x L x H)	Est. Weight	Price
RoughDeck HP: 1,000–10,000 lb (diamond treadplate standard)			
69040*	2.5 ft x 3 ft x 3.5 in	115 lb	\$365.00
69041*	3 ft x 3 ft x 3.5 in	133 lb	\$390.00
69042*	4 ft x 3 ft x 3.5 in	177 lb	\$425.00
69043*	5 ft x 3 ft x 3.5 in	226 lb	\$480.00
69184	2.5 ft x 4 ft x 3.5 in	152 lb	\$425.00
69185	3 ft x 4 ft x 3.5 in	177 lb	\$455.00
69186	4 ft x 4 ft x 3.5 in	224 lb	\$505.00
69187	5 ft x 4 ft x 3.5 in	272 lb	\$540.00
RoughDeck HP-H: 20,000 lb (diamond treadplate standard)			
69204	4 ft x 4 ft x 4 in	487 lb	\$900.00
69205	5 ft x 4 ft x 4 in	591 lb	\$1,025.00
69206	6 ft x 4 ft x 4 in	689 lb	\$1,080.00
69207	7 ft x 4 ft x 4 in	822 lb	\$1,255.00
69208	8 ft x 4 ft x 4 in	1005 lb	\$1,390.00
RoughDeck HP-H: 30,000 lb (diamond treadplate standard)			
69210	4 ft x 5 ft x 5 in	666 lb	\$1,115.00
69211	5 ft x 5 ft x 5 in	806 lb	\$1,240.00
69212	6 ft x 5 ft x 5 in	942 lb	\$1,360.00
69213	7 ft x 5 ft x 5 in	1116 lb	\$1,540.00
69214	8 ft x 5 ft x 5 in	1337 lb	\$1,780.00
RoughDeck SS and HE: 1,000–10,000 lb (diamond treadplate standard)			
69178*	2.5 ft x 3 ft x 3.5 in	115 lb	\$945.00
69179*	3 ft x 3 ft x 3.5 in	133 lb	\$945.00
69180*	4 ft x 3 ft x 3.5 in	177 lb	\$1,155.00
69189	2.5 ft x 4 ft x 3.5 in	152 lb	\$1,050.00
69190	3 ft x 4 ft x 3.5 in	177 lb	\$1,155.00
69191	4 ft x 4 ft x 3.5 in	224 lb	\$1,570.00
69192	5 ft x 4 ft x 3.5 in	272 lb	\$1,770.00

* Not recommended for use with pallet jacks

NOTE: Approach length must match width of ramp with width of scale

NOTE: Part numbered ramps are designed to fit scale on sides perpendicular to junction box. The junction box is always on longest side of scale unless specified differently.

Options/Accessories

Part #	Description	Price
N/A	Epoxy paint	+\$90.00 list price add-on

RoughDeck® Pit Frames



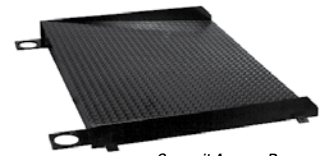
RoughDeck

Part #	Size (W x L)	Est. Weight	Price
RoughDeck HP: 1,000 lb–10,000 lb			
18757	2.5 ft x 2.5 ft	88 lb	\$335.00
18759	3 ft x 3 ft	102 lb	\$370.00
18761	4 ft x 4 ft	127 lb	\$475.00
18763	5 ft x 5 ft	154 lb	\$590.00
18765	4 ft x 5 ft	140 lb	\$535.00
18767	4 ft x 6 ft	157 lb	\$590.00
18769	5 ft x 6 ft	172 lb	\$650.00
18771	5 ft x 7 ft	185 lb	\$695.00
RoughDeck HP-H: 20,000 lb			
39595	4 ft x 4 ft	309 lb	\$585.00
39596	4 ft x 5 ft	352 lb	\$625.00
39597	4 ft x 6 ft	391 lb	\$675.00
39598	4 ft x 7 ft	459 lb	\$770.00
39599	5 ft x 5 ft	411 lb	\$705.00
39600	5 ft x 6 ft	460 lb	\$805.00
39601	5 ft x 7 ft	473 lb	\$840.00
39602	6 ft x 6 ft	583 lb	\$935.00
39603	6 ft x 7 ft	597 lb	\$970.00
39604	6 ft x 8 ft	610 lb	\$1,025.00
39605	7 ft x 9 ft	683 lb	\$1,090.00
39606	7 ft x 10 ft	781 lb	\$1,150.00
39607	8 ft x 10 ft	795 lb	\$1,195.00
RoughDeck HP-H: 30,000 lb			
39608	4 ft x 4 ft	356 lb	\$695.00
39609	4 ft x 5 ft	402 lb	\$730.00
39610	4 ft x 6 ft	444 lb	\$795.00
39611	4 ft x 7 ft	516 lb	\$875.00
39612	5 ft x 5 ft	464 lb	\$840.00
39613	5 ft x 6 ft	498 lb	\$890.00
39614	5 ft x 7 ft	533 lb	\$935.00
39615	6 ft x 6 ft	643 lb	\$1,085.00
39619	7 ft x 10 ft	850 lb	\$1,210.00
39620	8 ft x 10 ft	875 lb	\$1,255.00
RoughDeck SS and HE: 1,000 lb - 10,000 lb			
18758	2.5 ft x 2.5 ft	88 lb	\$910.00
18760	3 ft x 3 ft	102 lb	\$910.00
18762	4 ft x 4 ft	127 lb	\$1,210.00
18764	5 ft x 5 ft	154 lb	\$1,500.00
18766	4 ft x 5 ft	140 lb	\$1,355.00
18772	5 ft x 7 ft	185 lb	\$1,785.00

Options/Accessories

Part #	Description	Price
N/A	Epoxy paint	+\$90.00 list price add-on

Summit® 3000 Access Ramps and Pit Frames



Summit Access Ramps

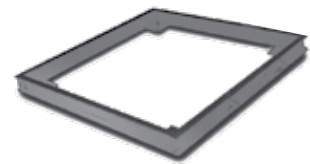
Summit Ramps

Part #	Size (W x L x H) (Diamond Treadplate Standard)	Est. Weight	Price
74953*	3 ft x 3 ft x 3.625 in	133 lb	\$390.00
74954*	4 ft x 3 ft x 3.625 in	177 lb	\$425.00
74955*	5 ft x 3 ft x 3.625 in	226 lb	\$480.00
74956	3 ft x 4 ft x 3.625 in	177 lb	\$455.00
74957	4 ft x 4 ft x 3.625 in	224 lb	\$505.00
74958	5 ft x 4 ft x 3.625 in	272 lb	\$540.00

* Not recommended for use with pallet jacks

NOTE: Approach length must match width of ramp with width of scale

NOTE: Part numbered ramps are designed to fit scale on sides perpendicular to junction box. The junction box is always on longest side of scale unless specified differently.



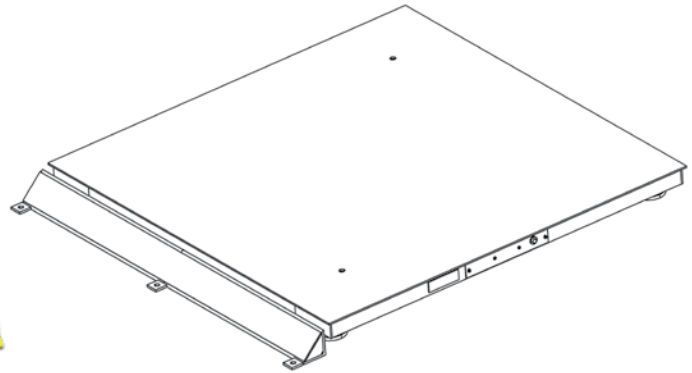
Summit Pit Frames

Summit Pit Frames

Part #	Size (W x L)	Est. Weight	Price
75036	3 ft x 3 ft	100 lb	\$370.00
75037	4 ft x 4 ft	125 lb	\$475.00
75040	5 ft x 5 ft	155 lb	\$590.00
75038	4 ft x 5 ft	140 lb	\$535.00
75039	4 ft x 6 ft	157 lb	\$590.00

Bumper Guards

Option A



Anchor bolt size required:

1/2 in dia (Not included)

Construction:

RoughDeck® HP and HP-H versions
(Mild steel, painted safety yellow)

RoughDeck SS/HE (304 stainless steel)

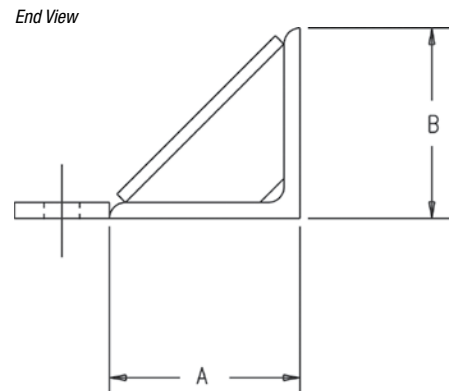
Part Number/Price

Length	RoughDeck HP	Price Each	RoughDeck SS/HE	Price Each	RoughDeck HP-H	Price Each
2.5 ft	86815	\$125.00	86824	\$215.00	86833	\$215.00
3.0 ft	86816	\$150.00	86825	\$255.00	86834	\$255.00
4.0 ft	86817	\$200.00	86826	\$340.00	86835	\$340.00
5.0 ft	86818	\$250.00	86827	\$425.00	86836	\$425.00
6.0 ft	86819	\$300.00	86828	\$510.00	86837	\$510.00
7.0 ft	86820	\$350.00	86829	\$595.00	86838	\$595.00
8.0 ft	86821	\$400.00	86830	\$680.00	86839	\$680.00
9.0 ft	86822	\$450.00	86831	\$765.00	86840	\$765.00
10.0 ft	86823	\$500.00	86832	\$850.00	86841	\$850.00

Accessories

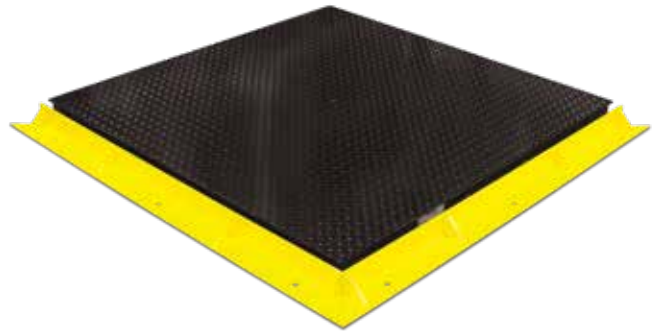
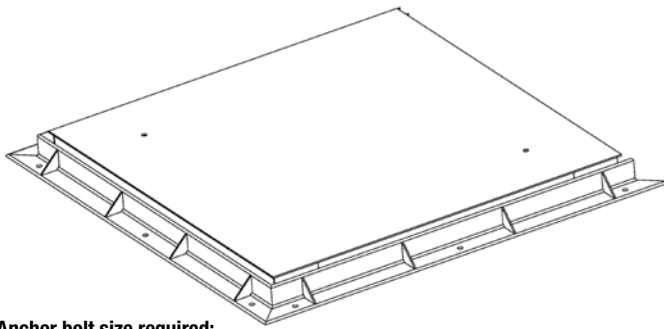
Part #	Description	Price
18777	Floor anchor plates, mild steel (set of two), RoughDeck HP	\$35.00
18778	Floor anchor plates, stainless steel (set of two), RoughDeck SS/HE	\$45.00
40387	Floor anchor plates, mild steel (set of two), RoughDeck HP-H 20,000 lb	\$48.00
40388	Floor anchor plates, mild steel (set of two), RoughDeck HP-H 30,000 lb	\$48.00

Drawing Dimensions		
Model	A	B
RoughDeck HP	3 in	3 in
RoughDeck SS/HE	3 in	3 in
RoughDeck HP-H	4 in	4 in



Bumper Guards

Option B



Anchor bolt size required:

1/2 in dia (Not Included)

Construction:

- RoughDeck® HP and HP-H versions
(Mild steel, painted safety yellow)
- RoughDeck SS/HE (304 stainless steel)

Note: If you plan to surround scale on all four sides with bumper guards, option B, please contact factory as a special bumper guard must be made to accommodate the home run cable exit.

Part Number/Price

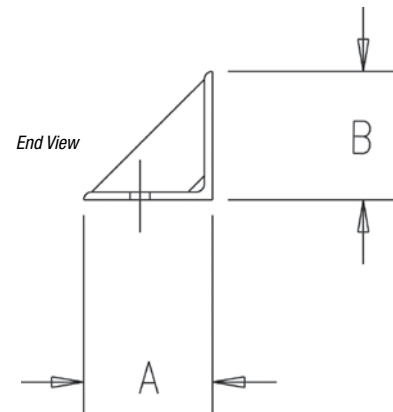
Length	RoughDeck HP	Price Each	RoughDeck SS/HE	Price Each	RoughDeck HP-H	Price Each
2.5 ft	86843	\$120.00	86852	\$175.00	86861	\$175.00
3.0 ft	86844	\$145.00	86853	\$210.00	86862	\$210.00
4.0 ft	86845	\$195.00	86854	\$280.00	86863	\$280.00
5.0 ft	86846	\$240.00	86855	\$350.00	86864	\$350.00
6.0 ft	86847	\$290.00	86856	\$420.00	86865	\$420.00
7.0 ft	86848	\$340.00	86857	\$490.00	86866	\$490.00
8.0 ft	86849	\$385.00	86858	\$560.00	86867	\$560.00
9.0 ft	86850	\$435.00	86859	\$630.00	86868	\$630.00
10.0 ft	86851	\$480.00	86860	\$700.00	86869	\$700.00

Accessories

Part #	Description	Price
18777	Floor anchor plates, mild steel (set of two), RoughDeck HP	\$35.00
18778	Floor anchor plates, stainless steel (set of two), RoughDeck SS/HE	\$45.00
40387	Floor anchor plates, mild steel (set of two), RoughDeck HP-H 20,000 lb	\$48.00
40388	Floor anchor plates, mild steel (set of two), RoughDeck HP-H 30,000 lb	\$48.00

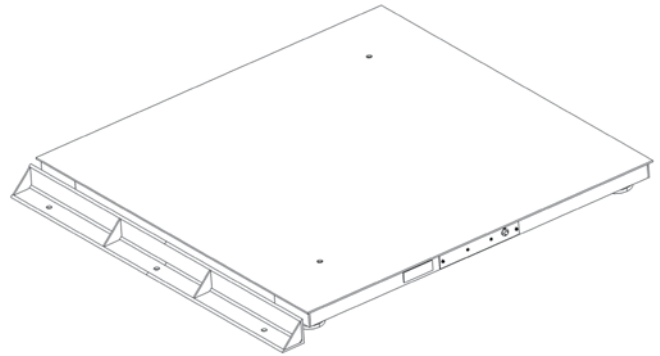
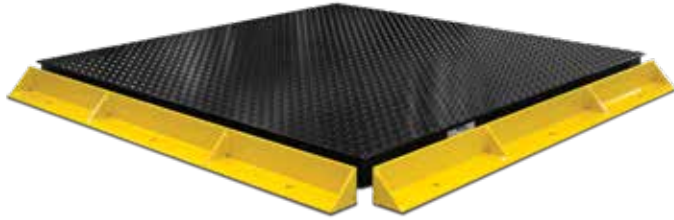
Drawing Dimensions

Model	A	B
RoughDeck HP	3 in	3 in
RoughDeck SS/HE	3 in	3 in
RoughDeck HP-H	4 in	4 in



Bumper Guards

Option C



Anchor bolt size required:
1/2 in dia (not included)

Construction:
RoughDeck® HP and HP-H versions
(Mild steel, painted safety yellow)
RoughDeck SS/HE
(304 stainless steel)

Part Number/Price

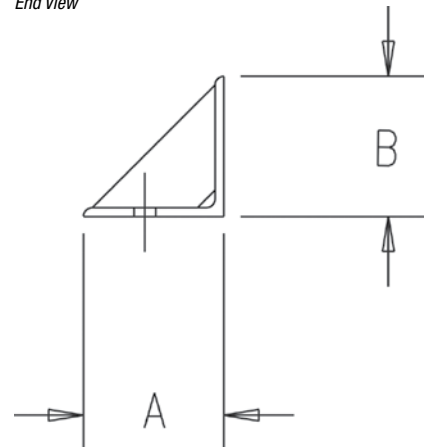
Length	RoughDeck HP	Price Each	RoughDeck SS/HE	Price Each	RoughDeck HP-H	Price Each
2.5 ft	86870	\$80.00	86879	\$180.00	86888	\$180.00
3.0 ft	86871	\$100.00	86880	\$220.00	86889	\$220.00
4.0 ft	86872	\$130.00	86881	\$295.00	86890	\$295.00
5.0 ft	86873	\$160.00	86882	\$365.00	86891	\$365.00
6.0 ft	86874	\$195.00	86883	\$440.00	86892	\$440.00
7.0 ft	86875	\$225.00	86884	\$510.00	86893	\$510.00
8.0 ft	86876	\$260.00	86885	\$590.00	86894	\$590.00
9.0 ft	86877	\$290.00	86886	\$660.00	86895	\$660.00
10.0 ft	86878	\$320.00	86887	\$730.00	86896	\$730.00

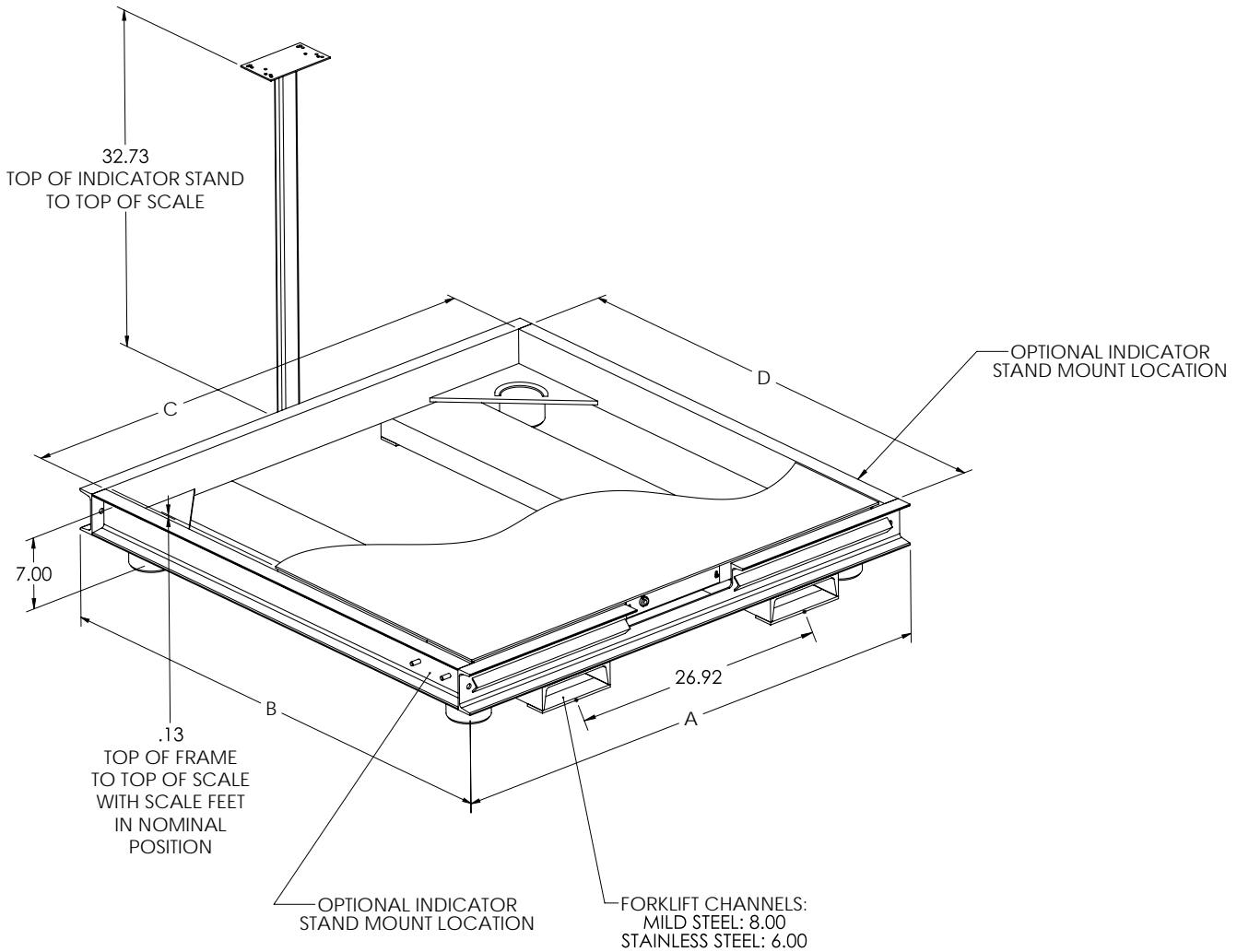
Accessories

Part #	Description	Price
18777	Floor anchor plates, mild steel (set of two), RoughDeck HP	\$35.00
18778	Floor anchor plates, stainless steel (set of two), RoughDeck SS/HE	\$45.00
40387	Floor anchor plates, mild steel (set of two), RoughDeck HP-H 20,000 lb	\$48.00
40388	Floor anchor plates, mild steel (set of two), RoughDeck HP-H 30,000 lb	\$48.00

Drawing Dimensions		
Model	A	B
RoughDeck HP	3 in	3 in
RoughDeck SS/HE	3 in	3 in
RoughDeck HP-H	4 in	4 in

End View





Part Number/Price

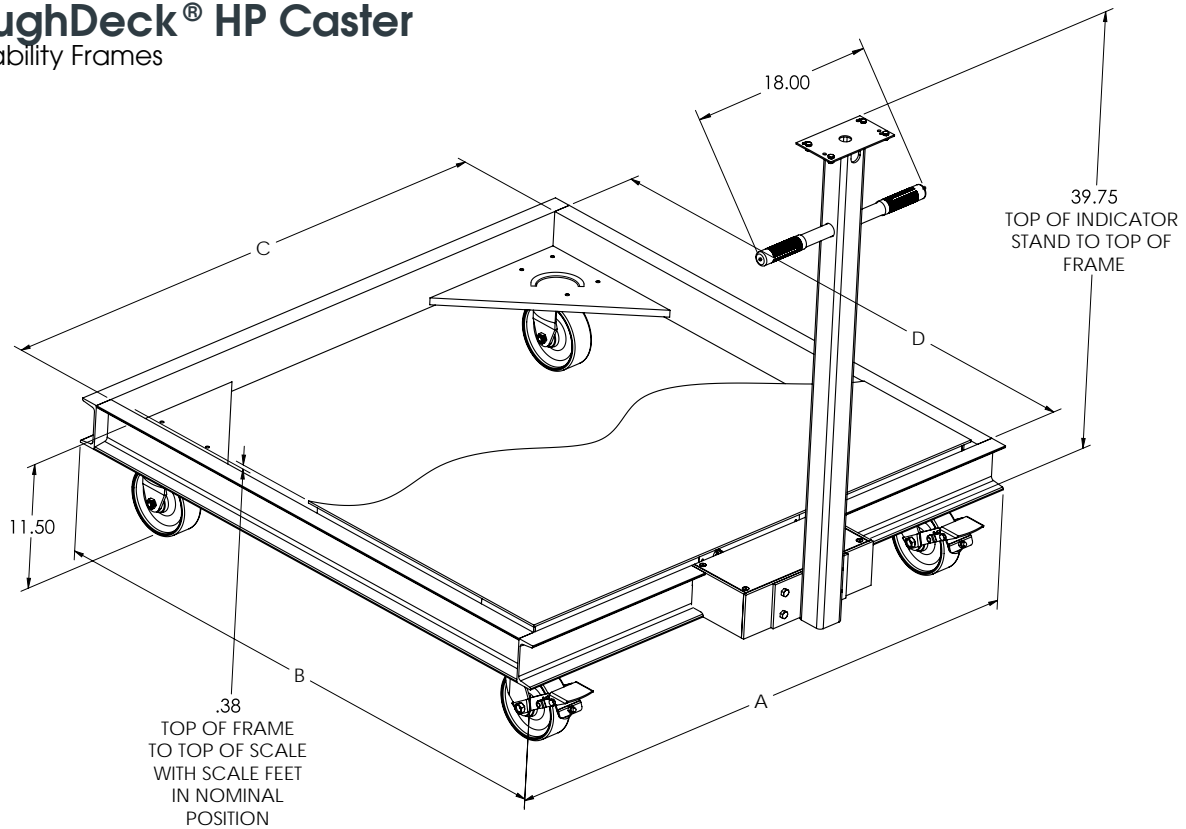
Part #	Size (W x L)	Est. Weight	Price
RoughDeck HP Portability Frames			
164492	4 ft x 4 ft, up to 10,000 lb capacity, floor stand for indicator 36.3 in high, indicator stand mounting bracket	275 lb	\$1,115.00
164493	5 ft x 5 ft, up to 10,000 lb capacity, floor stand for indicator 36.3 in high, indicator stand mounting bracket	400 lb	\$1,230.00
RoughDeck SS Portability Frames			
164494	4 ft x 4 ft, up to 10,000 lb capacity, floor stand for indicator 36.3 in high, indicator stand mounting bracket	275 lb	\$2,575.00
164495	5 ft x 5 ft, up to 10,000 lb capacity, floor stand for indicator 36.3 in high, indicator stand mounting bracket	400 lb	\$2,875.00

NOTE: Indicator stand mount bracket works with IQ plus 390-DC, 420 Plus, 480/480 Plus Legend, 482/482 Plus Legend and IQ plus 590-DC
NOTE: Consult factory if you intend on using with a pallet jack.

Portability Frame Dimensions		
4 ft x 4 ft		
A	Mild steel: 51.92 in (1,318 mm)	Stainless steel: 52.75 in (1,339 mm)
B	Mild steel: 51.92 in (1,318 mm)	Stainless steel: 52.75 in (1,339 mm)
C	48.75 in (1,238 mm)	
D	48.75 in (1,238 mm)	
5 ft x 5 ft		
A	Mild steel: 63.92 in (1,623 mm)	Stainless steel: 64.75 in (1,644 mm)
B	Mild steel: 63.92 in (1,623 mm)	Stainless steel: 64.75 in (1,644 mm)
C	60.75 in (1,543 mm)	
D	60.75 in (1,543 mm)	
Distance from floor to inside of strap on the fork entry		
	Mild steel: 3/4 in	Stainless steel: 1/2 in
Distance from inside of strap to top of the fork entry		
	Mild steel: 2 in	Stainless steel: 2 1/4 in

RoughDeck® HP Caster

Portability Frames



Standard Features

- Painted mild steel
- Indicator stand fits 420 Plus and 480 Legend
- Two rigid forged steel casters, two swivel forged steel caster with lock on back
- Casters for scales 1,000 lb-5,000 lb are rated for 1,500 lb each. Casters for 10,000 lb scale are rated for 4,000 lb each

Part Number/Price

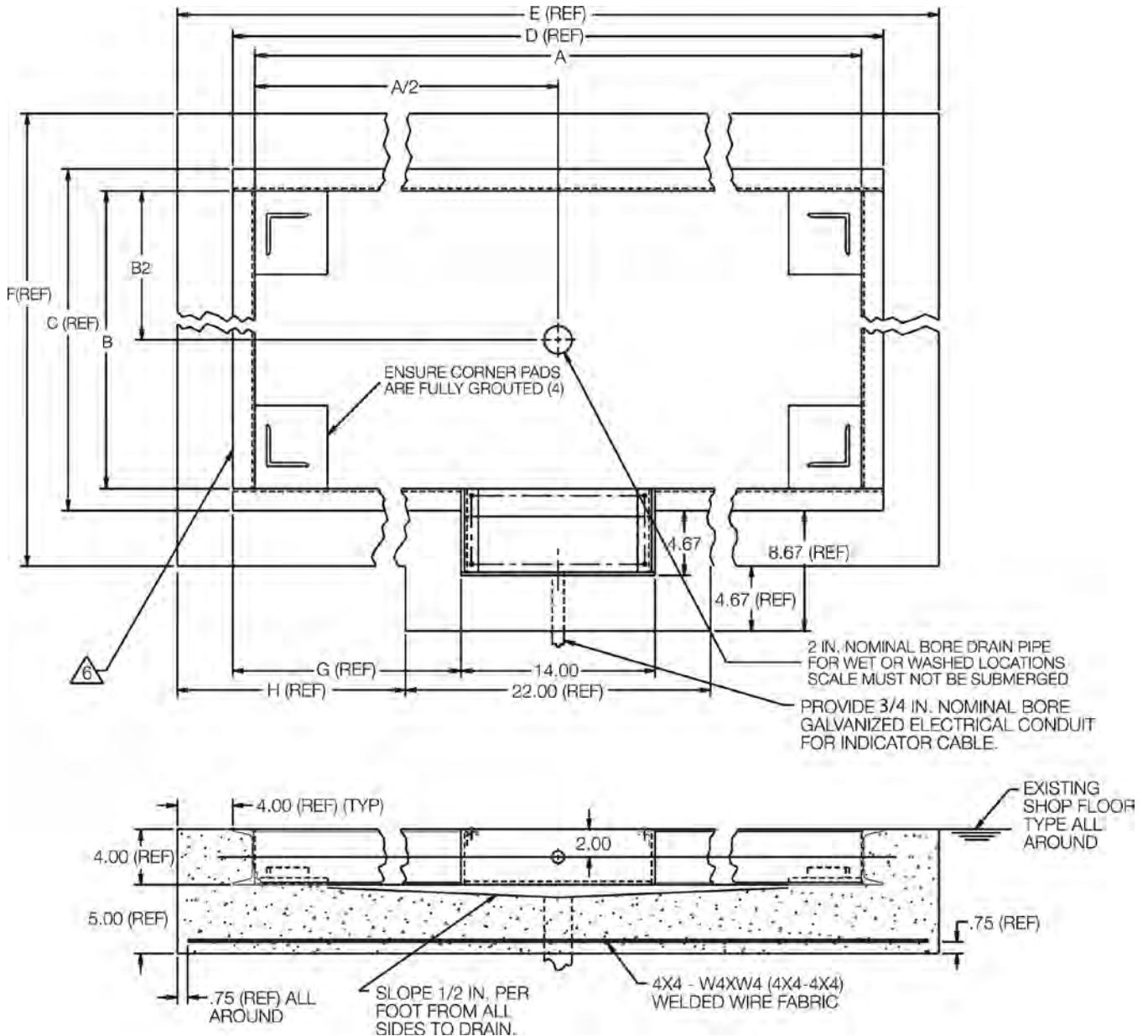
Part #	Size (W x L x H)	Est. Weight	Price
RoughDeck HP Caster Portability Frames			
157785	2.5 ft x 2.5 ft, for RoughDeck HP 1,000 lb to 5,000 lb	220 lb	\$1,995.00
157791	3 ft x 3 ft, for RoughDeck HP 1,000 lb to 5,000 lb	240 lb	\$1,995.00
157792	4 ft x 4 ft, for RoughDeck HP 1,000 lb to 5,000 lb	260 lb	\$1,995.00
157793	4 ft x 4 ft, for RoughDeck HP 10,000 lb	260 lb	\$2,235.00

Caster Portability Frame Dimensions

2.5 ft x 2.5 ft (1,000 lb-5,000 lb)	
A	33.92
B	33.92
C	30.75
D	30.75
3 ft x 3 ft (1,000 lb-5,000 lb)	
A	39.92
B	39.92
C	36.75
D	36.75
4 ft x 4 ft (1,000 lb-5,000 lb)	
A	51.92
B	51.92
C	48.75
D	48.75
4 ft x 4 ft (10,000 lb)	
A	51.92
B	51.92
C	48.75
D	48.75

RoughDeck® HP, SS & HE

Pit Frame Concrete Details*



Drawing Dimensions

Scale Size	2.5 ft x 2.5 ft	3 ft x 3 ft	4 ft x 4 ft	5 ft x 5 ft	4 ft x 5 ft	4 ft x 6 ft	5 ft x 6 ft	5 ft x 7 ft
A	30.75	36.75	48.75	60.75	60.75	72.75	72.75	84.75
B	30.75	36.75	48.75	60.75	48.75	48.75	60.75	60.75
C	33.92	39.92	51.92	63.92	51.92	51.92	63.92	63.92
D	33.92	39.92	51.92	63.92	63.92	75.92	75.92	87.92
E	41.92	47.95	59.92	71.92	71.92	83.92	83.92	95.92
F	41.92	47.95	59.92	71.92	59.92	59.92	71.92	71.92
G	9.96	12.96	18.96	24.96	24.96	30.96	30.96	36.96
H	9.96	12.96	18.96	24.96	24.96	30.96	30.96	36.96

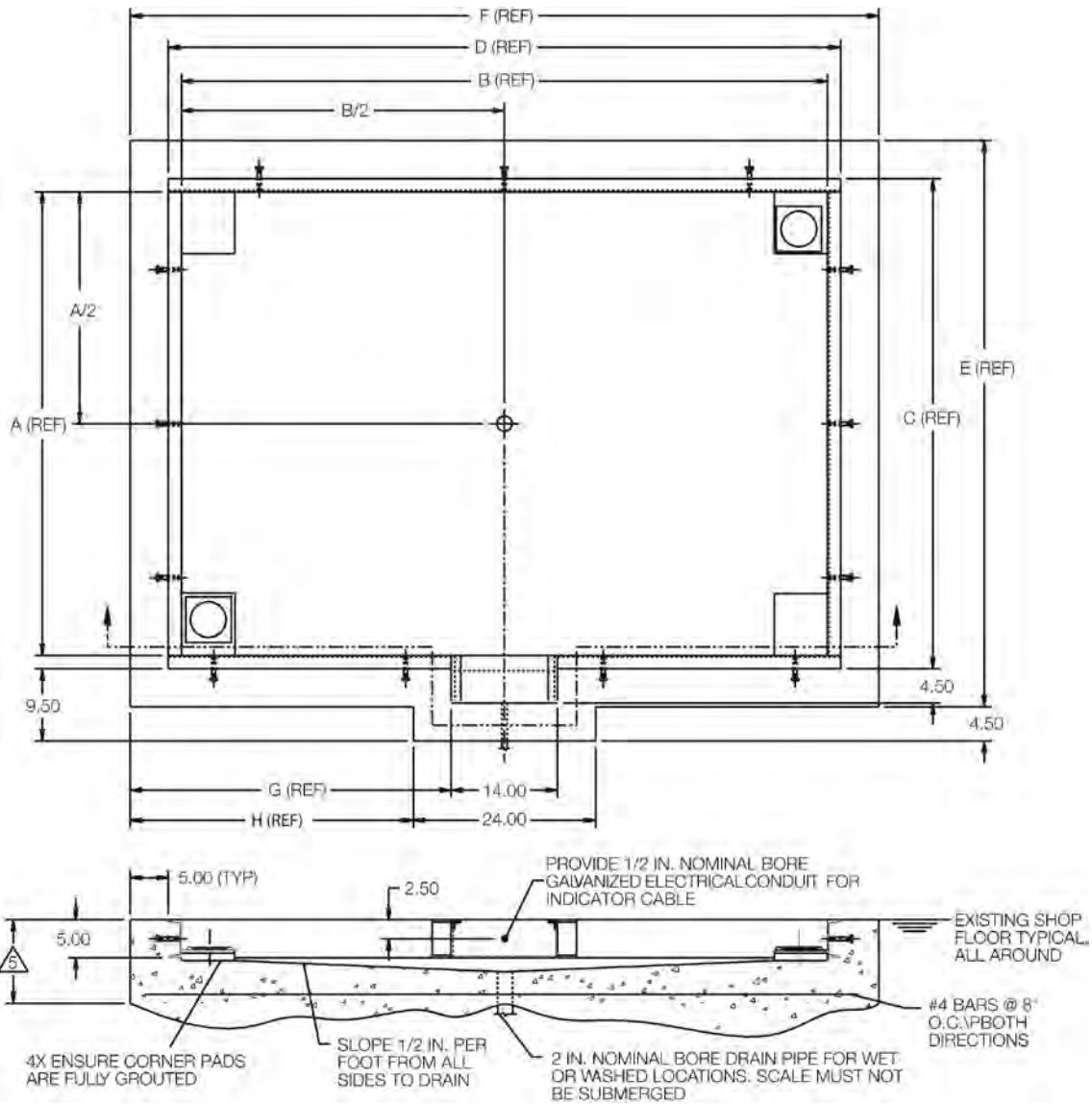
All dimensions are shown in inches. Drawing #S2944-Rev. D
 * Drawings are for standard catalog part numbered scales.

1. Use concrete of minimum yield strength 5,000 PSI or 6-bag mix
2. Allow 7 days to cure (wet concrete periodically during this time).
3. Dimensions shown assume firm, stable soil conditions. When soil conditions are not adequate, place foundation at sufficient depth.
4. In wet or washdown applications, we recommend the use of hermetically sealed load cells, and that junction box be mounted remotely in a dry location.
5. Wire mesh to have minimum 0.75 in cover bottom and sides.
6. On stainless steel versions, two pieces of 2 in angle will be substituted for 4 in channel.

RoughDeck® HP-H

Pit Frame Concrete Details* - 20,000lb Capacity

FLOOR SCALES



Drawing Dimensions

Scale Size	4ft x 4ft	4ft x 5ft	4ft x 6ft	4ft x 7ft	5ft x 5ft	5ft x 6ft	5ft x 7ft
A	49.00	49.00	49.00	49.00	61.00	61.00	61.00
B	49.00	61.00	73.00	85.00	61.00	73.00	85.00
C	52.50	52.50	52.50	52.50	64.50	64.50	64.50
D	52.50	64.50	76.50	88.50	64.50	76.50	88.50
E	62.50	62.50	62.50	62.50	74.50	74.50	74.50
F	62.50	74.50	86.50	98.50	74.50	86.50	98.50
G	24.25	30.25	36.25	42.25	30.25	36.25	42.25
H	19.25	25.25	31.35	37.25	25.25	31.35	37.25

Drawing Dimensions

Scale Size	6ft x 6ft	6ft x 7ft	6ft x 8ft	7ft x 9ft	7ft x 10ft	8ft x 10ft
A	73.00	73.00	73.00	85.00	85.00	97.00
B	73.00	85.00	97.00	109.00	121.00	121.00
C	76.50	76.50	76.50	88.50	88.50	100.50
D	76.50	88.50	100.50	112.50	124.50	124.50
E	86.50	86.50	86.50	98.50	98.50	110.50
F	86.50	98.50	110.50	122.50	134.50	134.50
G	36.25	42.25	48.25	54.25	60.25	60.25
H	31.25	37.25	43.25	49.25	55.25	55.25

1. Use concrete of minimum yield strength 5,000 PSI or 6-bag mix.
2. Allow 7 days to cure (wet concrete periodically during this time).
3. Before installing pit frame, ensure that proper sand (or soil) base is available under either existing concrete or new installation.
4. In wet or washdown applications, we recommend use of hermetically sealed load cells, and that junction box be mounted remotely in a dry location.
5. For required depth of slab, or rebar requirements specific to your application, proper engineering consultation is recommended.

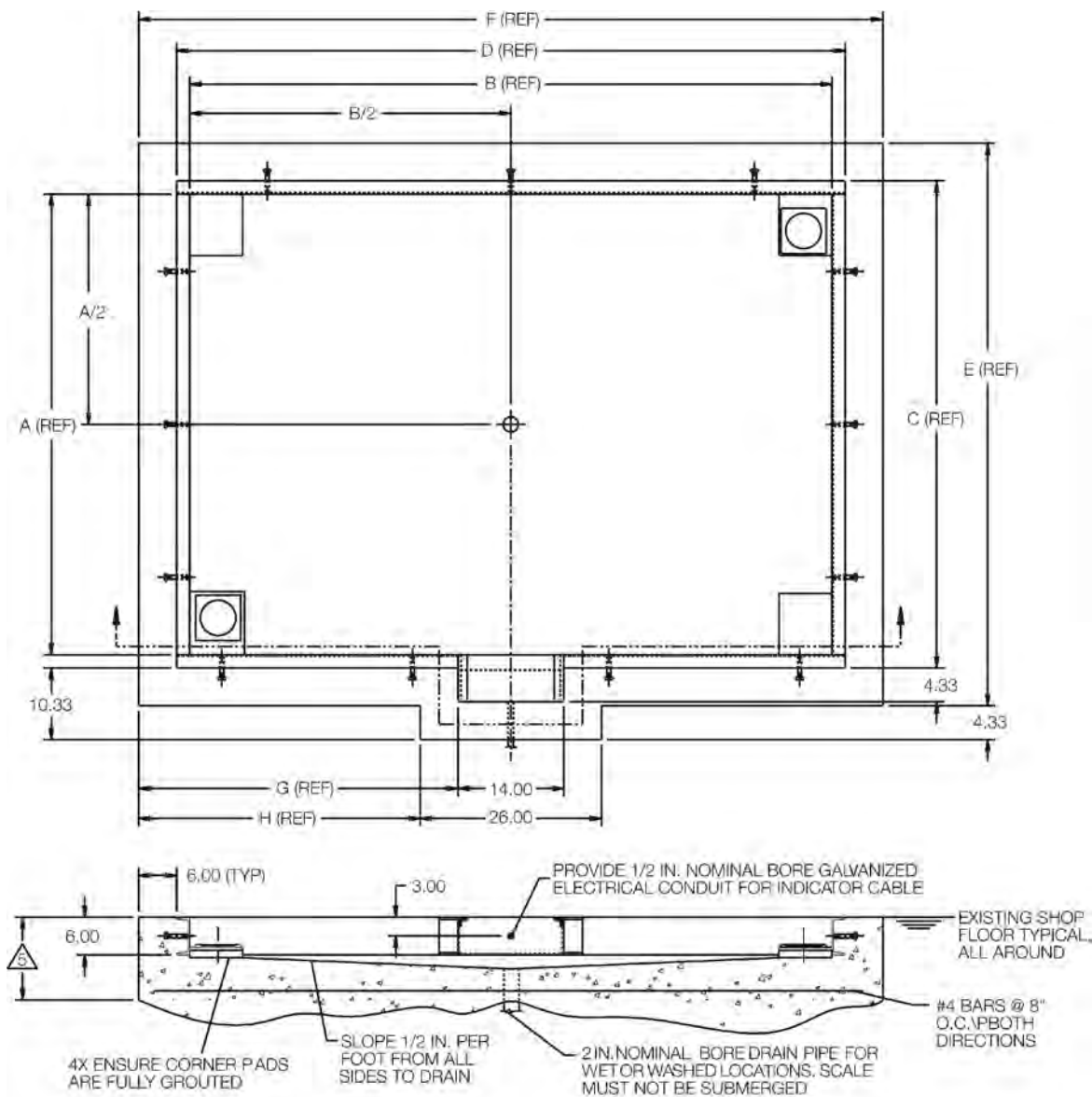
All dimensions are shown in inches. Drawing #S2944A-Rev. A
 * Drawings are for standard catalog part numbered scales.

www.ricelake.com | Phone: 800-472-6703

RICE LAKE

RoughDeck® HP-H

Pit Frame Concrete Details* - 30,000lb Capacity



Drawing Dimensions							
Scale Size	4 ft x 4 ft	4 ft x 5 ft	4 ft x 6 ft	4 ft x 7 ft	5 ft x 5 ft	5 ft x 6 ft	5 ft x 7 ft
A	49.00	49.00	49.00	49.00	61.00	61.00	61.00
B	49.00	61.00	73.00	85.00	61.00	73.00	85.00
C	52.84	52.84	52.84	52.84	64.84	64.84	64.84
D	52.84	64.84	76.84	88.84	64.84	76.84	88.84
E	64.84	64.84	64.84	64.84	76.84	76.84	76.84
F	64.84	76.84	88.84	100.84	76.84	88.84	100.84
G	25.42	31.42	37.42	43.42	31.42	37.42	43.42
H	19.42	25.42	31.42	37.42	25.42	31.42	37.42

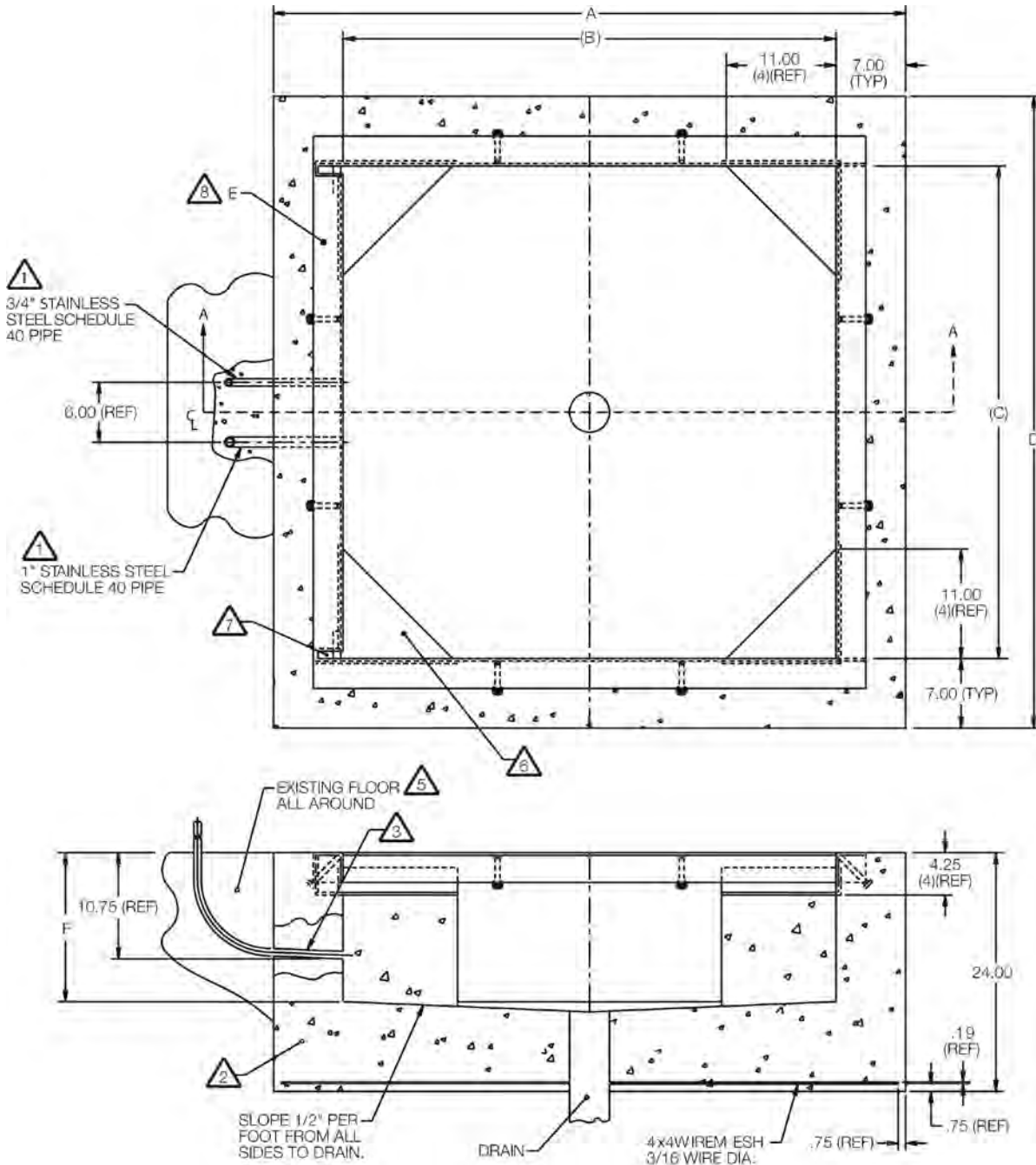
Drawing Dimensions						
Scale Size	6 ft x 6 ft	6 ft x 7 ft	6 ft x 8 ft	7 ft x 9 ft	7 ft x 10 ft	8 ft x 10 ft
A	73.00	73.00	73.00	85.00	85.00	97.00
B	73.00	85.00	97.00	109.00	121.00	121.00
C	76.84	76.84	76.84	88.84	88.84	100.84
D	76.84	88.84	100.84	112.84	124.84	124.84
E	88.84	88.84	88.84	100.84	100.84	112.84
F	88.84	100.84	112.84	112.84	136.84	136.84
G	37.42	43.42	49.42	55.42	61.42	61.42
H	31.42	37.42	43.42	49.42	55.42	55.42

1. Use concrete of minimum yield strength 5,000 PSI or 6-bag mix.
 2. Allow 7 days to cure (wet concrete periodically during this time).
 3. Before installing pit frame, ensure that proper sand (or soil) base is available under either existing concrete or new installation.
 4. In wet or washdown applications, we recommend the use of hermetically sealed load cells, and that junction box be mounted remotely in a dry location.
- ⚠ For required depth of slab, or rebar requirements specific to your application, proper engineering consultation is recommended.

All dimensions are shown in inches. Drawing #S2944B-Rev. A
 * Drawings are for standard catalog part numbered scales.

AutoLift HE

Pit Frame Concrete Details*

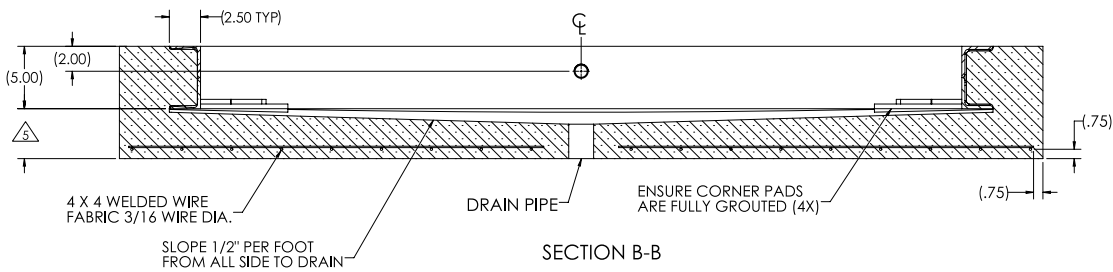
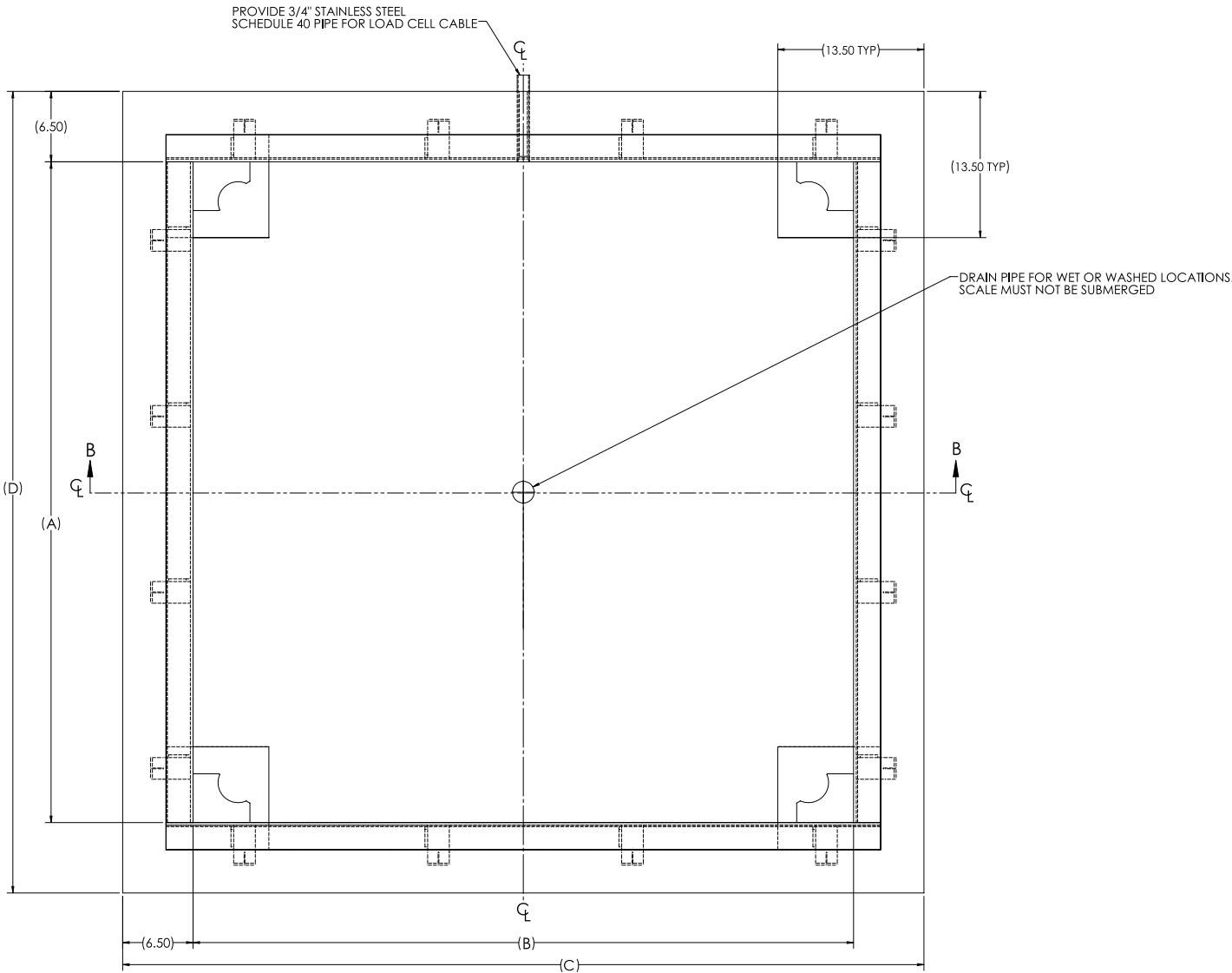


- 1 Length of pipe is determined on site.
- 2 Use concrete of minimum yield strength 5,000 PSI or 6-bag mix.
- 3 Slope pipe slightly for water drainage.
- 4 Allow concrete 7 days to cure (wet concrete periodically during this time).
- 5 Tie pit in with existing floor with rebar if required.
- 6 Ensure underside is supported with concrete or grout (plate is an integral part of frame).
- 7 Keep pocket free of concrete.
- 8 Coping must sit level in floor to allow proper operation of scale.

Drawing Dimensions		
Scale Size	4 ft x 4 ft	5 ft x 5 ft
A	63.06	75.06
B	49.06	61.06
C	49.00	61.06
D	63.00	75.00
E (PN)	41936	41397
F	15.00	16.75

All dimensions are shown in inches. Drawing #S5158-Rev. B

* Drawings are for standard catalog part numbered scales.



1. Use concrete of minimum yield strength 5,000 PSI or 6-bag mix.
2. Allow 7 days to cure (wet concrete periodically during this time).
3. Before installing pit frame, ensure that proper sand (or soil) base is available under either existing concrete or new installation.
4. In wet or washdown applications, we recommend the use of hermetically sealed load cells.

5. For required depth of slab, or rebar requirements specific to your application, proper engineering consultation is recommended.

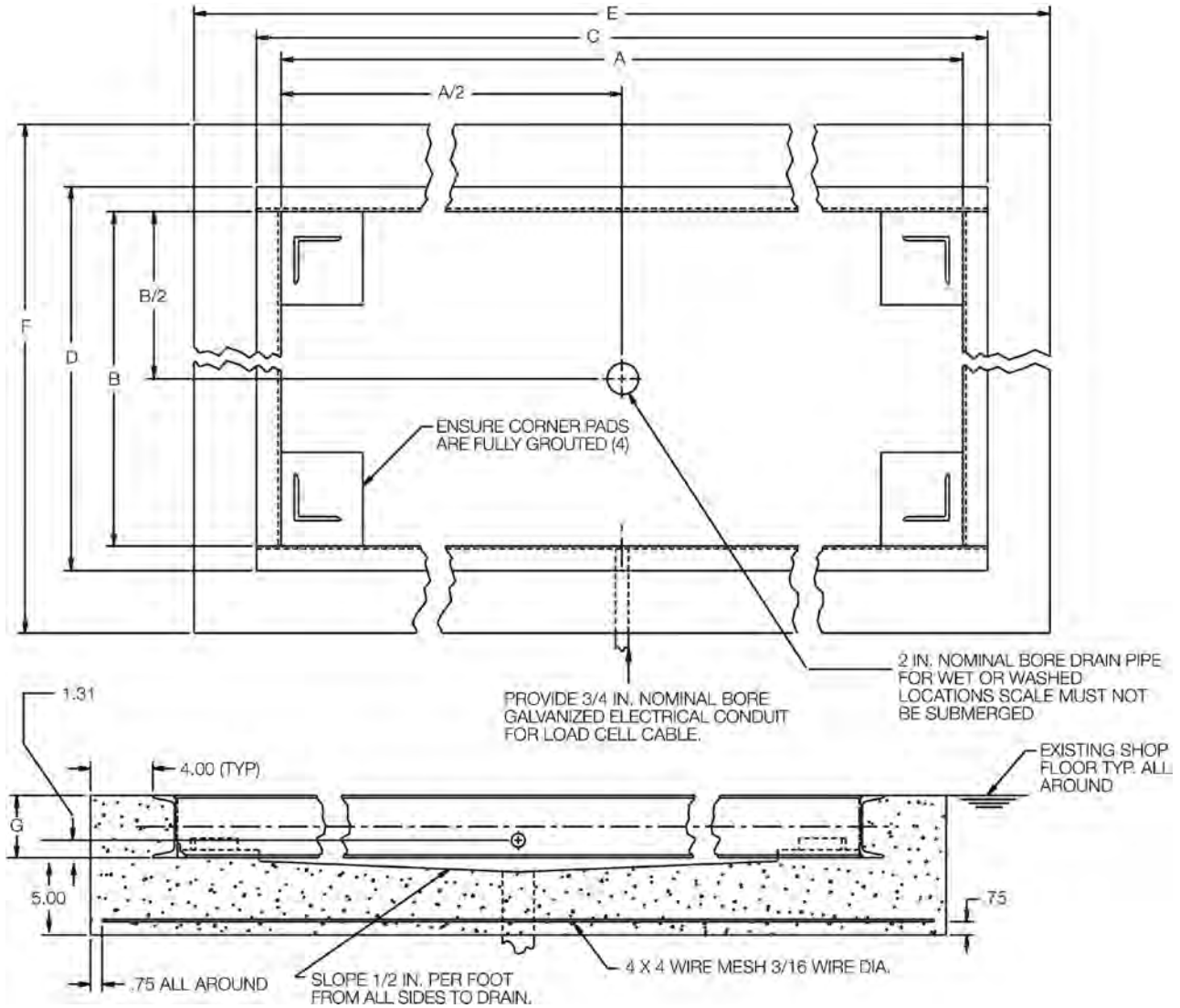
Drawing Dimensions				
Scale Size	A	B	C	D
4 ft x 4 ft	49.00	49.00	62.00	62.00
5 ft x 5 ft	61.00	61.00	74.00	74.00

All dimensions are shown in inches.

RoughDeck® QC

Pit Frame Concrete Details*

FLOOR SCALES



Drawing Dimensions

Scale Size	A	B	C	D	E	F	G
2.5 ft x 2.5 ft - 2,000 lb	30.75	31.00	34.75	35.00	42.75	43.00	4.00
3 ft x 3 ft - 2,000 lb	36.75	37.00	40.75	41.00	48.75	49.00	4.00
4 ft x 4 ft - 2,000 lb	48.75	49.00	52.75	53.00	60.75	61.00	4.00
4 ft x 4 ft - 5,000 lb	48.75	49.00	52.75	53.00	60.75	61.00	4.00
4 ft x 4 ft - 10,000 lb	48.75	49.00	53.75	54.00	61.75	62.00	5.00
4 ft x 5 ft - 2,000 lb	60.75	49.00	64.75	53.00	72.75	61.00	4.00
4 ft x 5 ft - 5,000 lb	60.75	49.00	65.75	54.00	73.75	62.00	5.00
4 ft x 5 ft - 10,000 lb	60.75	49.00	65.75	54.00	73.75	62.00	5.00
4 ft x 6 ft - 2,000 lb	72.75	49.00	77.75	54.00	85.75	62.00	5.00

All dimensions are shown in inches. Drawing #S6360A-Rev. D

Drawing Dimensions

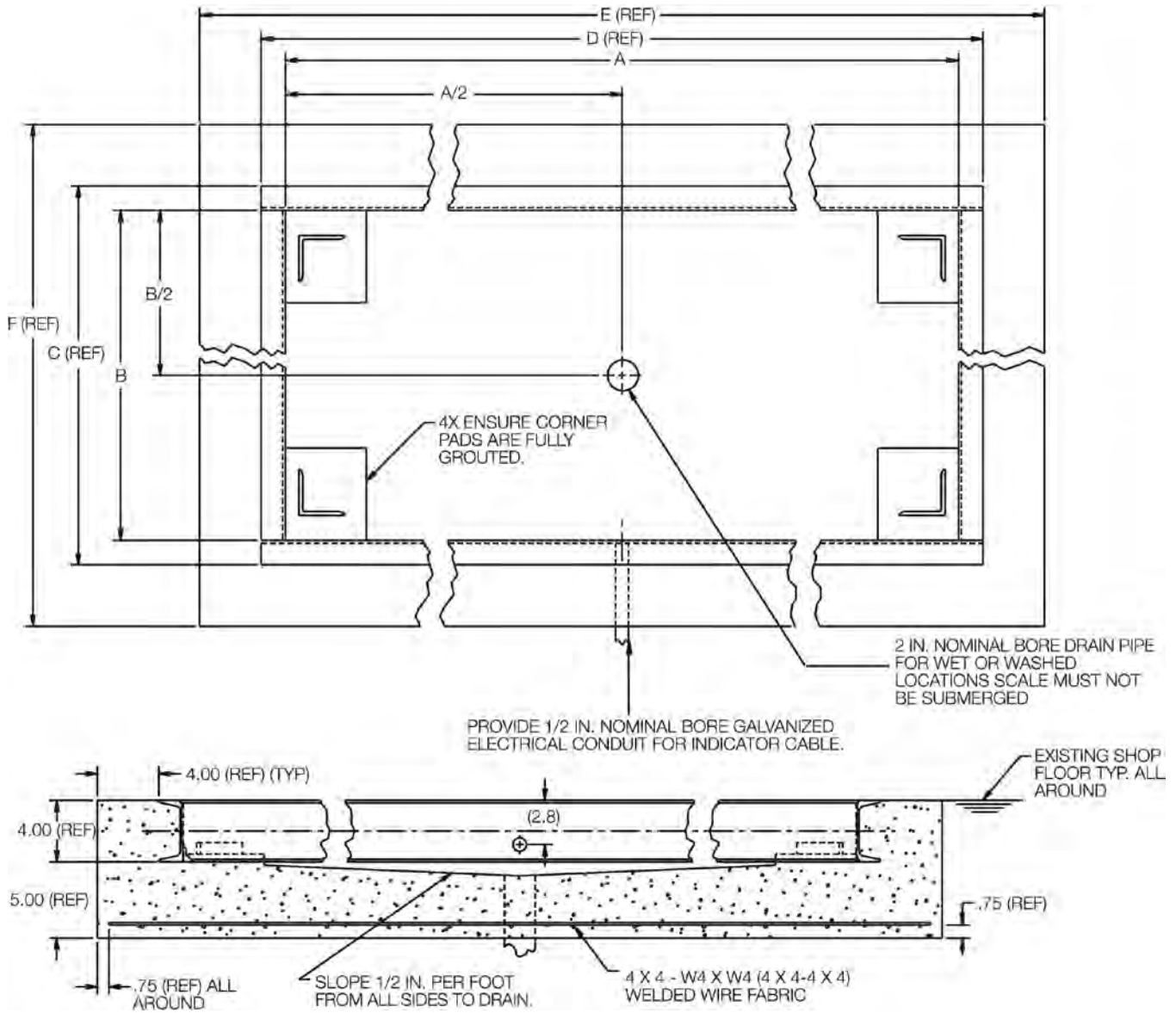
Scale Size	A	B	C	D	E	F	G
4 ft x 6 ft - 5,000	72.75	49.00	77.75	54.00	85.75	62.00	5.00
4 ft x 6 ft - 10,000	72.75	49.00	78.75	55.00	86.75	63.00	6.00
5 ft x 5 ft - 2,000	60.75	61.00	65.75	66.00	73.75	74.00	5.00
5 ft x 5 ft - 5,000	60.75	61.00	65.75	66.00	73.75	74.00	5.00
5 ft x 5 ft - 10,000	60.75	61.00	65.75	66.00	73.75	74.00	5.00
5 ft x 7 ft - 2,000	84.75	61.00	90.75	67.00	98.75	75.00	6.00
5 ft x 7 ft - 5,000	84.75	61.00	90.75	67.00	98.75	75.00	6.00
5 ft x 7 ft - 10,000	84.75	61.00	90.75	67.00	98.75	75.00	6.00
6 ft x 6 ft - 5,000	72.75	73.00	78.75	79.00	86.75	87.00	6.00
6 ft x 6 ft - 10,000	72.75	73.00	78.75	79.00	86.75	87.00	6.00

* Drawings are for standard catalog part numbered scales.

1. Use concrete of minimum yield strength 5,000 PSI or 6-bag mix.
2. Allow 7 days to cure (wet concrete periodically during this time).
3. Dimensions shown assume firm, stable soil conditions. When soil conditions are not adequate, place foundation at sufficient depth.
4. In wet or washdown applications, we recommend the use of hermetically sealed load cells, and that the junction box be mounted remotely in a dry location.
5. Wire mesh to have minimum 0.75 in cover bottom and sides.

www.ricelake.com | Phone: 800-472-6703

RICE LAKE



1. Use concrete of minimum yield strength 5,000 PSI or 6-bag mix.
2. Allow 7 days to cure (wet concrete periodically during this time).
3. Dimensions shown assume firm, stable soil conditions. When soil conditions are not adequate, place foundation at sufficient depth.
4. In wet or washdown applications we recommend the use of hermetically sealed load cells and that the junction box be mounted remotely in a dry location.
5. Wire mesh to have minimum 0.75 in cover bottom and sides.

Drawing Dimensions					
Scale Size	3 ft x 3 ft	4 ft x 4 ft	4 ft x 5 ft	4 ft x 6 ft	5 ft x 5 ft
A	36.75	48.75	60.75	72.75	60.75
B	36.75	48.75	48.75	48.75	60.75
C	39.92	51.92	51.92	51.92	63.92
D	39.92	51.92	63.92	75.92	63.92
E	47.92	59.92	71.92	83.92	71.92
F	47.92	59.92	59.92	59.92	71.92

All dimensions are shown in inches. Drawing #S77687
* Drawings are for standard catalog part numbered scales.

