

# Precision Industrial Weighing

## TABLE OF CONTENTS

<b>MINEBEA INTEC MIDRICS SERIES</b> .....	<b>846</b>
<i>Complete Scale</i>	
<b>MINEBEA INTEC MIDRICS 2 SERIES</b> .....	<b>847</b>
<i>Midrics/Combics System</i>	
<b>MINEBEA INTEC COMBICS 2</b> .....	<b>848</b>
<i>Complete Scale</i>	
<b>MINEBEA INTEC SIGNUM SERIES</b> .....	<b>849</b>
<i>Complete Scale</i>	
<b>MINEBEA INTEC MIDRICS® 1 AND 2 SERIES</b> .....	<b>851</b>
<i>Digital Weight Indicator</i>	
<b>MINEBEA INTEC COMBICS 1</b> .....	<b>852</b>
<i>Digital Weight Indicator</i>	
<b>MINEBEA INTEC COMBICS 2</b> .....	<b>853</b>
<i>Digital Weight Indicator</i>	
<b>MINEBEA INTEC COMBICS 3</b> .....	<b>854</b>
<b>MINEBEA INTEC COMBICS</b> .....	<b>855</b>
<i>Bench and Floor Platform Scales</i>	
<i>Painted/Stainless Steel</i>	
<b>MINEBEA INTEC IF SERIES</b> .....	<b>857</b>
<i>Painted Steel Platform Scale</i>	
<i>Stainless Steel Platform Scale</i>	
<b>MINEBEA INTEC IS SERIES</b> .....	<b>862</b>
<i>Weighing Platforms</i>	
<b>MINEBEA INTEC SIGNUM EX SUPREME</b> .....	<b>864</b>
<b>MINEBEA INTEC COMBICS 2 EX</b> .....	<b>866</b>
<i>Explosion Proof Digital Weight Indicator</i>	
<b>MINEBEA INTEC COMBICS</b> .....	<b>867</b>
<i>Explosion Proof Bench and Floor Platform Scales</i>	
<b>MINEBEA INTEC IF SERIES</b> .....	<b>868</b>
<i>Explosion Proof Weighing Platform Scales</i>	
<b>MINEBEA INTEC IS-X</b> .....	<b>871</b>
<i>Explosion Proof Scales</i>	
<b>MINEBEA INTEC PR6201</b> .....	<b>872</b>
<i>Zinc-Plated Steel Star Mount Kits</i>	
<i>Stainless Steel Star Mount Kits</i>	
<b>MINEBEA INTEC PR6202</b> .....	<b>874</b>
<i>Hygienic Weigh Module Kits</i>	
<b>MINEBEA INTEC CONTEGO-HYGIENIC WEIGH MODULE KITS</b> .....	<b>875</b>
<i>Lateral Cable Outlet</i>	
<i>Top Cable Outlet</i>	
<b>MINEBEA INTEC PR5220 ETHERNET TRANSMITTER</b> .....	<b>877</b>
<b>MINEBEA INTEC PR5230 FIELDBUS TRANSMITTER</b> .....	<b>878</b>

**ESPAÑOL** | Visit [ricelake.com/spanish](http://ricelake.com/spanish) to see all Rice Lake materials available in Spanish

Product names, logos, brands and other trademarks featured or referred to within this publication are the property of their respective trademark holders.

# Minebea Intec Midrics Series

## Complete Scale



### Specifications

- Indicators:**  
MIS1 - UR 20 mm LCD  
MIS2 - UR with application programs
- Power Supply:**  
100 - 200 VAC, 50 - 60Hz
- Readability:**  
15,000 scale intervals
- Cable Length:**  
1.5 to 6 m (varies by capacity)
- Warranty:**  
Two-year limited warranty

### Standard Features

- There are hundreds of possible applications for an industrial scale. Whatever, wherever and however – the Midrics® can do it all:
- Painted versions have IP65 protection rating for industrial use
- 304 Stainless steel versions have IP67/IP68 protection ratings
- Four adjustable feet, level indicator on LCE and NCE
- Midrics 1 display, for simple weighing tasks
- Accessories: user installed interface kits, printer, external battery pack, software tools, panel mount kit

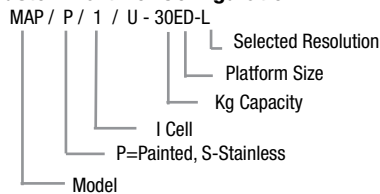
### Part Number/Price

RLWS PN	Minebea PN	Dimensions	# Load Cells	Capacity	Readability	Est. Weight	Price
103668	MW1P1U-6DC-L	12.6 x 9.5 in	1	6 kg	0.5 g	22 lb	\$1,310.00
103669	MW1P1U-15DC-L	12.6 x 9.5 in	1	15 kg	1 g	24 lb	\$1,310.00
103670	MW1P1U-30ED-L	15.8 x 11.8 in	1	30 kg	2 g	24 lb	\$1,385.00
103671	MW1P1U-60ED-L	15.8 x 11.8 in	1	60 kg	5 g	24 lb	\$1,385.00
103672	MW1P1U-60FE-L	19.7 x 15 in	1	60 kg	5 g	22 lb	\$1,595.00

### Options/Accessories

RLWS PN	Minebea PN	Description	Price
171727	YDH12CWSUS	Holder base mount for ED base	\$75.00
156441	YDH02CWSUS	Column for ED base	\$205.00
105607	YDH02CISUS	Wall-mount bracket	\$75.00
Consult	YBP03CIS	Floor-mount option	\$195.00
Consult	YAS03MI	Panel mount option	\$188.00

#### Custom Part No. Configuration



- |  |  |
|--|--|
| <p>DC= 12 x 9.5 x 3.4 in</p> <p>ED= 15.8 x 11.8 x 3.4 in</p> <p>FE = 19.7 x 15.8 x 4.3 in</p> <p>GF= 25.6 x 19.7 x 5.6 in</p> <p>IG = 31.5 x 23.6 x 5.6 in</p> <p><b>Kits:</b></p> <p>4 Load Cell Platforms:</p> <p style="padding-left: 20px;">KK-36 x 36</p> <p style="padding-left: 20px;">NN-48 x 48</p> <p style="padding-left: 20px;">RR-60 x 60</p> <p>4 Load Cell Capacities</p> <p style="padding-left: 20px;">1500 lb x .1</p> <p style="padding-left: 20px;">3000 lb x .2</p> <p style="padding-left: 20px;">6000 lb x .5</p> | <p><b>Capacities</b></p> <p>1 Cell base</p> <p>6 kg x 0.5</p> <p>15 kg x 1</p> <p>30 kg x 2</p> <p>60 kg x 5</p> |
|--|--|

# Minebea Intec Midrics 2 Series

Midrics/Combics System

## Specifications

- Power Supply:**  
100 - 200 VAC, 50 - 60 Hz
- Readability:**  
15,000 scale intervals
- Cable Length:**  
1.5 to 6 m (varies by capacity)
- Warranty:**  
Two-year limited warranty



## Standard Features

- Painted versions have IP65 protection rating for industrial use
- 304 stainless steel versions have IP67/IP68 protection ratings
- Four adjustable feet, level indicator on LCE and NCE
- Midrics 2 with 10-key touch pad and application programs
- Midrics 2 application programs – counting, checkweighing, classification, totalizing, net-total formulation, animal weighing, percent weighing, neutral measurement
- Weighing ranges from 6 kg to 150 kg
- Accessories: user installed interface kits, printer, external battery pack, software tools, panel mount kit

## Part Number/Price

RLWS PN	Minebea PN	Dimensions	Capacity	Readability	Cable Platform	Est. Weight	Price
<b>Mild Steel with MIS2-U</b>							
156428	MW2P1UE-10CC-I	10 x 10 in	15 lb (6 kg)	0.0005 lb (0.0002 kg)	10 ft	18 lb	\$1,395.00
156429	MW2P1UE-50DD-I	12 x 12 in	60 lb (30 kg)	0.002 lb (0.001 kg)	10 ft	22 lb	\$1,495.00
156430	MW2P1UE-100EE-I	18 x 18 in	150 lb (60 kg)	0.005 lb (0.002 kg)	10 ft	63 lb	\$1,680.00
156431	MW2P1URE-250GG-I	24 x 24 in	300 lb (150 kg)	0.01 lb (0.005 kg)	10 ft	118 lb	\$2,990.00
<b>Stainless Steel with MIS2-U</b>							
156432	MW2S1UE-10CC-I	10 x 10 in	15 lb (6 kg)	0.0005 lb (0.0002 kg)	10 ft	18 lb	\$1,725.00
156433	MW2S1UE-50DD-I	12 x 12 in	60 lb (30 kg)	0.002 lb (0.001 kg)	10 ft	22 lb	\$1,795.00
156434	MW2S1UE-100EE-I	18 x 18 in	150 lb (60 kg)	0.005 lb (0.002 kg)	10 ft	63 lb	\$2,040.00
156435	MW2S4URE-250GG-I	24 x 24 in	300 lb (150 kg)	0.01 lb (0.005 kg)	10 ft	118 lb	\$5,495.00

## Options/Accessories

RLWS PN	Minebea PN	Description	Price
156440	YDH01CWSUS	Post mount assembly for 10 x 10 in platforms, 13 in high	\$190.00
156441	YDH02CWSUS	Post mount assembly for 12 x 12 in platforms, 19 in high	\$205.00
156442	YDH03CWSUS	Post mount assembly for 18 x 18 in platforms, 29 in high	\$235.00

# Minebea Intec Combics 2

## Complete Scale



### Application Note:

Counting, checkweighing, differential weighing, percentage weighing, gross-net-tare, sorting, net-total, animal weighing, averaging, totalizing

### Standard Features

- Amber backlit LCD display, 0.8 in, 13 segment
- External calibration routine
- RS-232C
- Numeric keypad (with two IDs) for entering identifier codes and preset tares
- Info key for quick and easy display of tare input and ID codes
- Date/time fully integrated
- Three built-in LED checkweighing lights
- Bar graph weighing range indicator
- Optional barcode scanner for preset tare, reference weight and ID entry
- Stored customer specific data records
- Two scale connections, analog or digital

### Part Number/Price

RLWS PN	Minebea PN	Dimensions	Capacity	Readability	Est. Weight	Price
<b>Mild Steel with CAISL2-U</b>						
156409	CAW2P1U-10CC-I	10 x 10 in	15 lb (6 kg)	0.0005 lb (0.0002 kg)	10 ft	\$1,930.00
156414	CAW2P1U-50DD-I	12 x 12 in	60 lb (30 kg)	0.002 lb (0.001 kg)	10 ft	\$1,960.00
156420	CAW2P1U-100EE-I	18 x 18 in	150 lb (60 kg)	0.005 lb (0.002 kg)	10 ft	\$2,250.00
156423	CAW2P1U-250GG-I	24 x 24 in	300 lb (150 kg)	0.01 lb (0.005 kg)	10 ft	\$3,050.00
<b>Stainless Steel with CAIS2-U</b>						
156424	CAW2S1U-10CC-I	10 x 10 in	15 lb (6 kg)	0.0005 lb (0.0002 kg)	10 ft	\$2,305.00
156425	CAW2S1U-50DD-I	12 x 12 in	60 lb (30 kg)	0.002 lb (0.001 kg)	10 ft	\$2,380.00
156426	CAW2S1U-100EE-I	18 x 18 in	150 lb (60 kg)	0.005 lb (0.002 kg)	10 ft	\$2,670.00
156427	CAW2S4UR-250GG-I	24 x 24 in	300 lb (150 kg)	0.01 lb (0.005 kg)	10 ft	\$5,305.00

### Options/Accessories

RLWS PN	Minebea PN	Description	Price
156440	YDH01CWSUS	Post mount assembly for 10 x 10 in platforms, 13 in high	\$190.00
156441	YDH02CWSUS	Post mount assembly for 12 x 12 in platforms, 19 in high	\$205.00
156442	YDH03CWSUS	Post mount assembly for 18 x 18 in platforms, 29 in high	\$235.00
171727	YDH12CWSUS	Bench mount bracket	\$75.00

### Specifications

#### Supply Voltage:

9V

#### Power Requirements:

120-240 VAC, 17 W / 23 VA maximum

#### Indicator Housing:

AISI 304 stainless steel

#### Indicator Dimensions:

(W x D x H): 11.9 x 7.4 x 3.5 in (302.3 x 188 x 89 mm)

#### Operating Temperature:

14° F to 104° F (-10° C to 40° C)

#### Net Weight:

5 lb (2.27 kg)

#### Warranty:

Two-year limited warranty

Accessories: one-year limited warranty

# Minebea Intec Signum Series

Complete Scale

## Specifications

**Platform Size:**

13.8 x 9.5 in (350.5 x 241.3 mm)

**Power:**

Multi-range, 110-240 V

**Operating Temperature:**

14°F to 104°F (-10°C to 40°C)

**Measurement Technology:**

SIWRDCP-Load cell signum regular  
 SIWADCP-Mechatronic cell-advanced  
 SIWSDCP-Monolythic-supreme

**Power:**

Multi range, 110-240 V

**Cable Length:**

Display: 6 ft (1.83 m) approximately

**Warranty:**

Two-year limited warranty  
 Accessories: one-year limited warranty



## Standard Features

- The Signum is extremely rugged and resistant, and adapts perfectly to any ambient conditions in an industrial environment
- Compact scale built as custom
- Available in three indicator models - 6, 14 or 17 keys
- Available in three weighing technologies - load cell, mechatronic or monolithic
- Resolution 35,000 d to 350,000 d
- Built-in motorized calibration weight (Signum Supreme)
- RS-232 output
- IP65

Weighing Technology	Indicator Options	Capacity	Readability	Included
SIWRDCP (Load Cell)	Applications level 1 - Tare, Zero, Weight	3, 6, 15, 35, and 60 kg	30,000 d	IP65, RS-232, detachable display
SIWADCP (Temperature Compensated Load Cell)	Toggle OR Application level 3 - Tare, Zero, Counting, Checkweighing, ID's	7, 16, 35 and 65 kg	70,000 d	IP65, RS-232
SIWSDCP (Monolythic)		3, 6, 16 and 35 kg	160,000 d-600,000 d	IP65, RS-232, detachable display

# Minebea Intec Signum Series

Complete Scale

PRECISION INDUSTRIAL WEIGHING

## Part Number/Price

RLWS PN	Minebea PN	Dimensions	# Load Cells	Application Level	Capacity	Readability	Est. Weight	Price
103665	SIWADCP-V3	13.8 x 9.5 in	1	1	7 kg	0.1 g	24 lb	\$2,190.00
103666	SIWADCP-V4	13.8 x 9.5 in	1	3	7 kg	0.1 g	24 lb	\$2,805.00
105853	SIWADCP-V5	13.8 x 9.5 in	1	3	35 kg	0.5 g	24 lb	\$2,805.00
105854	SIWADCP-V6	13.8 x 9.5 in	1	3	65 kg	1 g	24 lb	\$2,805.00
103657	SIWRDCP-V7	13.8 x 9.5 in	1	1	6 kg	0.2 g	22 lb	\$1,680.00
103658	SIWRDCP-V8	13.8 x 9.5 in	1	1	15 kg	0.5 g	24 lb	\$1,699.00
103659	SIWRDCP-V9	13.8 x 9.5 in	1	1	35 kg	1 g	24 lb	\$1,717.00
103660	SIWRDCP-V10	13.8 x 9.5 in	1	1	60 kg	2 g	24 lb	\$1,738.00
151372	SIWSBBPP-V16	7.1 x 7.1 in	1	1	3 kg	0.01 g	16.5 lb	\$4,165.00
151373	SIWSBBPP-V17	7.1 x 7.1 in	1	1	6 kg	0.01 g	16.5 lb	\$4,865.00
151374	SIWSDCP-V18	13.8 x 9.5 in	1	1	16 kg	0.1 g	24 lb	\$4,825.00
151375	SIWSDCP-V19	13.8 x 9.5 in	1	1	35 kg	0.1 g	24 lb	\$5,205.00
151376	SIWRDCP-V20	13.8 x 9.5 in	1	3	6 kg	0.2 g	24 lb	\$2,341.00
151377	SIWRDCP-V21	13.8 x 9.5 in	1	3	15 kg	0.5 g	24 lb	\$2,362.00
151378	SIWRDCP-V22	13.8 x 9.5 in	1	3	35 kg	1 g	24 lb	\$2,378.00
151379	SIWRDCP-V23	13.8 x 9.5 in	1	3	60 kg	2 g	24 lb	\$2,399.00
151410	SIWADCP-V24	13.8 x 9.5 in	1	1	16 kg	0.2 g	24 lb	\$2,190.00
151411	SIWADCP-V25	13.8 x 9.5 in	1	1	35 kg	0.5 g	24 lb	\$2,232.00

## Options/Accessories

RLWS PN	Minebea PN	Description	Price
36907	YDP03-OCE	Data printer, statistics and T/D functions, 5 ft Cable (requires 83248)	\$1,095.00
31106	6906918	Ribbon	\$56.00
31103	6906937	Paper	\$51.00
83248	YCC01-0016M3	Cable, 9.8 ft, 12-Pin round to 25 D-Sub female	\$350.00
105607	YDH02CISUS	Wall mount bracket	\$75.00
153218	YDH01PUS	Column for DC platforms, 19 in	\$299.00
155884	YDH02P	Column to BBP	\$595.00
155804	YCC05-001M2	RS-232 cable, 25-Pin D-sub male to 9/25-Pin D-sub female	\$254.00

www.ricelake.com | Phone: 800-472-6703

RICE LAKE

850

# Minebea Intec Midrics® 1 and 2 Series

Digital Weight Indicator

## Specifications

### Load Cell Connection:

Excitation voltage 8.4 V  
4 or 6 conductor

### Power Requirements:

100 - 240 VAC (-15/10) 50-60 Hz, Max 17 W/23 VA

### Power Cord:

3 m

### Housing:

304 stainless steel enclosure, IP65

### Dimensions:

(W x D x H): 9 1/3 x 6 1/2 x 3 3/4 in (238 x 165 x 94 mm)

### Operating Temperature:

14° F to 104° F (-10° C to 40° C)

### Net Weight:

5 lb (2.3 kg)

### Warranty:

Two-year limited warranty

### Approvals:

NTEP Class III



## Standard Features

- Backlit 14-segment, 20 millimeter LCD display
- 304 stainless steel enclosure, IP65 rated
- Wall-mount bracket
- Time and date
- RS-232

## Midrics 2 Additional Features

- Numerical keyboard
- Applications:**
- Weighing
  - Counting
  - Checkweighing
  - Sorting (3 or 5 classes)
  - Totalizing
  - Net-total
  - Animal weighing
  - Weighing in percent
  - Neutral measurement

## Options

- RS-232
- 4-20 mA

## Part Number/Price

RLWS PN	Minebea PN	Description	Price
155855	MIS1UR-V1	Midrics 1, wall bracket	\$615.00
155857	MIS1U-L9	Midrics 1, wall bracket, internal battery pack	\$1,073.00
155856	MIS2UR-V2	Midrics 2, wall bracket	\$695.00
155859	MIS2U-L9	Midrics 2, wall bracket, internal battery pack	\$1,190.00

## Options/Accessories

RLWS PN	Minebea PN	Description	Price
103044	YDA01M-20MA	Analog current output, 0-20 mA, 4-20 mA, 0-10 V (16-bit)	\$443.00
155805	YCC01-USBM2	Connecting cable from RS-232 to USB connector, 2 m	\$150.00
155806	YCC02-D25F6	Connecting cable for accessories 25-Pin D-SUB female	\$254.00
Consult	YAS03-M1	Panel mount option	Consult

# Minebea Intec Combics 1

## Digital Weight Indicator



### Application Note:

Combics 1 indicator is designed for use with both Combics and IF series platforms. However, various accessories may differ and are application dependent.

### Standard Features

- IP protection rating, IP44, IP69K
- Amber backlit LCD display, .8 in
- External calibration routine
- RS-232C
- On/Off, Zero, Tare, Print/Data Key
- Function keys for: Gross/net toggle; three-way unit toggle; 10X higher resolution toggle
- Automatic tare feature
- One scale connection

### Part Number/Price

RLWS PN	Minebea PN	Description	Est. Weight	Price
102396	CAISL1-U	IP44 protection rated	7.5 lb	\$1,074.00
102398	CAIS1-U	IP69K protection rated	7.5 lb	\$1,409.00
115668	CAISL1-UV1	IP44, IS base controller	7.5 lb	\$1,562.00
115671	CAIS1-UV1	IP69K, IS base controller	7.5 lb	\$1,714.00

### Options/Accessories

RLWS PN	Minebea PN	Description	Price
105607	YDH02CISUS	Wall mount bracket	\$75.00
171727	YDH12CWSUS	Bench mount bracket	\$75.00
156440	YDH01CWSUS	Post mount assembly for 10 x 10 in platforms, 13 in high	\$190.00
156441	YDH02CWSUS	Post mount assembly for 12 x 12 in platforms, 19 in high	\$205.00
156442	YDH03CWSUS	Post mount assembly for 18 x 18 in platforms, 29 in high	\$235.00
103049	YAS02MI	24 V industrial power supply	\$193.00
162640	YD002C-ETH	Ethernet TCP/IP	\$770.00
155826	YD002C-A0	Analog output, 0-20 mA, 4-20 mA, 0-10 V	\$770.00
<b>Cables</b>			
155804	YCC05-001M2	RS-232 9/25-Pin D-Sub female, 1.5 m, IP44	\$254.00
155805	YCC01-USBM2	RS-232 to USB connector, 2 m IP44	\$150.00
155806	YCC02-D25F6	RS-232 open to 25 D-Sub female	\$254.00

### Specifications

#### Load Cell Connection:

4 or 6 wire

#### Excitation Voltage:

9V

#### Power Requirements:

120-240 VAC, 17 W/23 VA maximum

#### Housing:

AISI 304 stainless steel

#### Dimensions:

(W x D x H): 11.9 x 7.4 x 3.5 in

#### Operating Temperature:

14° F to 104° F (-10° C to 40° C)

#### Net Weight:

5 lb

#### Warranty:

Two-year limited warranty

Accessories: One-year limited warranty



# Minebea Intec Combics 2

## Digital Weight Indicator

### Specifications

- Load Cell Connection:**  
4 or 6 wire
- Excitation Voltage:**  
9 V
- Power Requirements:**  
120-240 VAC, 17 W / 23 VA maximum
- Housing:**  
AISI 304 stainless steel
- Dimensions:**  
(W x D x H): 11.9 x 7.4 x 3.5 in
- Operating Temperature:**  
14° F to 104° F (-10° C to 40° C)
- Net Weight:**  
5 lb
- Warranty:**  
Two-year limited warranty on indicator  
Accessories: One-year limited warranty



**Application Note:**

Combics 2 and Combics 3 indicators are designed for use with both Combics and IF series platforms. However, various accessories may differ and are application dependent.

**Applications Software Pre-installed:**

Counting, checkweighing, differential weighing, percentage weighing, gross-net-tare, sorting, net-total, animal weighing, averaging, totalizing

### Standard Features

- Choice of IP protection rating (IP44, IP69K)
- Amber backlit LCD display, .8in, 13 segment
- External calibration routine
- RS-232C
- On/Off, Zero, Tare, Print/Data Keys
- Function keys for: Gross/net toggle; three-way unit toggle; 10X higher resolution toggle
- Numeric keypad with two IDs for entering identifier codes and preset tare
- Info key for quick and easy display of tare input and ID codes
- Date/time fully integrated
- GMP compliant printable record
- NICE Label Express FlexiPrint compatible
- Platform toggling and four function keys
- Three built-in LED checkweighing lights
- Bar graph weighing range indicator
- Application data and totalization memory stored in battery-backed RAM
- Optional barcode scanner for preset tare, reference weight and ID entry
- Stored customer specific data records
- Optional two scale connections, analog or digital

### Part Number/Price

RLWS PN	Minebea PN	Description	Est. Weight	Price
102402	CAISL2-U	IP44 protection rated	7.5 lb	\$1,336.00
102404	CAIS2-U	IP69K protection rated	7.5 lb	\$1,679.00
115670	CAISL2-UV1	IP44, IS base controller	7.5 lb	\$1,818.00
115673	CAIS2-UV1	IP69K, IS base controller	7.5 lb	\$2,071.00

### Options/Accessories

RLWS PN	Minebea PN	Description	Price
105607	YDH02CISUS	Wall mount bracket	\$75.00
171727	YDH12CWSUS	Bench mount bracket	\$75.00
156440	YDH01CWSUS	Post mount assembly for 10 x 10 in platforms, 13 in high	\$190.00
156441	YDH02CWSUS	Post mount assembly for 12 x 12 in platforms, 19 in high	\$205.00
156442	YDH03CWSUS	Post mount assembly for 18 x 18 in platforms, 29 in high	\$235.00
103049	YAS02MI	24 V industrial power supply	\$193.00
162640	YD002C-ETH	Ethernet TCP/IP	\$770.00
155826	YD002C-A0	Analog output, 0-20 mA, 4-20 mA, 0-10 V	\$770.00
<b>Cables</b>			
155804	YCC05-001M2	RS-232 9/25-Pin D-Sub female, 1.5 m, IP44	\$254.00
155805	YCC01-USBM2	RS-232 to USB connector, 2 m IP44	\$150.00
155806	YCC02-D25F6	RS-232 open to 25 D-Sub female	\$254.00

# Minebea Intec Combics 3

Digital Weight Indicators

Combics 2 and Combics 3 indicators are designed for use with both Combics and IF series platforms. However, various accessories may differ and are application dependent.

Applications Software Pre-installed:

Counting, checkweighing, differential weighing, percentage weighing, gross-net-tare, sorting, net-total, animal weighing

Custom Applications Packages:

Single component batching BASIC

Single component batching PRO



## Standard Features

- IP protection rating (IP44, IP69K)
- Amber backlit LCD display
- On/Off Zero, Tare, Print/Data Keys
- Function keys for: Gross/net toggle; three-way unit toggle; 10X higher resolution toggle
- Keypad with two IDs for entering identifier codes and preset tare
- Info key for quick and easy display of tare input and ID codes
- Date/time fully integrated
- GMP/GLP printable record
- Platform toggling and four function keys
- Three built-in LED checkweighing lights
- Bar graph weighing range indicator
- Application data and totalization memory stored in battery-backed RAM
- Optional barcode scanner for preset tare, reference weight and ID entry
- Stored customer-specific data records
- Key for toggling between weighing applications, and five soft keys with text-supported user guidance
- Input functions for entering up to four alphanumeric ID texts

## Part Number/Price

RLWS PN	Minebea PN	Description	Est. Weight	Price
102405	CAISL3-U	IP44 protection rated	7.5 lb	\$1,787.00
Consult	CAISL3-UV1	IP44, IS base controller	7.5 lb	\$2,121.00
102407	CAIS3-U	IP69K protection rated	7.5 lb	\$2,121.00
115674	CAIS3-UV1	IP69K, IS base controller	7.5 lb	\$2,447.00

## Options/Accessories

RLWS PN	Minebea PN	Description	Price
105607	YDH02CISUS	Wall mount bracket	\$75.00
171727	YDH12CWSUS	Bench mount bracket	\$75.00
156440	YDH01CWSUS	Post mount assembly for 10 x 10 in platforms, 13 in high	\$190.00
156441	YDH02CWSUS	Post mount assembly for 12 x 12 in platforms, 19 in high	\$205.00
156442	YDH03CWSUS	Post mount assembly for 18 x 18 in platforms, 29 in high	\$235.00
103049	YAS02MI	2 V industrial power supply	\$193.00
155826	YD002C-A0	Analog output, 0-20 mA, 4-20 mA, 0-10 V	\$770.00
162640	YD002C-ETH	Ethernet TCP-IP	\$770.00
<b>Cables</b>			
155804	YCC05-001M2	RS-232 9/25-Pin D-Sub female, 1.5 m, IP44	\$254.00
155805	YCC01-USBM2	RS-232 to USB connector, 2 m IP44	\$150.00
155806	YCC02-D25F6	RS-232 open to 25 D-Sub female	\$254.00

## Specifications

### Load Cell Connection:

4 or 6 wire

### Excitation Voltage:

9V

### Power Requirements:

120-240 VAC, 17 W / 23 VA maximum

### Housing:

AISI 304 stainless steel

### Dimensions:

(W x D x H): 11.9 x 7.4 x 3.5 in

### Operating Temperature:

14° F to 104° F (-10° C to 40° C)

### Net Weight:

5 lb

### Warranty:

Two-year limited warranty

Accessories: One-year limited warranty

# Minebea Intec Combics

Bench and Floor Platform Scales

## Specifications

---

**Cable Length:**

10 ft/3 m-up to 1,000 lb 30 x 30 in  
20 ft/6 m 1,000 lb and above 36 x 36 in

**Operating Temperature:**

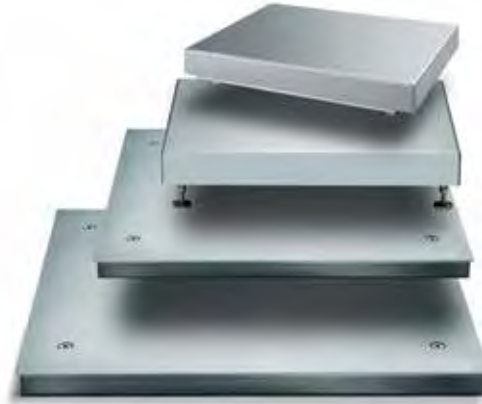
14° F to 104° F (-10° C to 40° C)

**Height:**

Adjustable feet

**Warranty:**

Two-year limited warranty  
Accessories: One-year limited warranty



## Standard Features

---

- One or four load cells (as noted)
- Complete selection of pit frames for flush mounting available
- High resolution 30,000 d versions available
- Compatible with all Combics indicators
- Mild steel painted
- NEMA Type 4/IP65 protection rating
- 304 stainless steel platters
- Stainless steel
- IP67/NEMA Type 4X-cell/IP68/4 cell systems
- 304 stainless steel
- Hermetically sealed, IP68 load cells

## Optional Configurations

---

- R2 - Electropolished 316T, stainless steel
- Ti - Pressure lift system
- Drive-on ramps
- Pit frame

# Minebea Intec Combics

Painted/Stainless Steel

## Part Number/Price

RLWS PN	Minebea PN	Dimensions	Foot Adjustable Height	# Load Cells	Capacity Readability	Capacity Readability	Capacity Readability	Est. Weight	Price
<b>Painted Steel</b>									
102285	CAPP1U-10CC-LU	10 x 10 in	2.7 in - 3.6 in	1	15 lb	0.0005	6 kg	0.0002	14 lb \$725.00
102286	CAPP1U-20CC-LU	10 x 10 in	2.7 in - 3.6 in	1	30 lb	0.001	15 kg	0.0005	14 lb \$725.00
102287	CAPP1U-50CC-LU	10 x 10 in	2.7 in - 3.6 in	1	60 lb	0.002	30 kg	0.001	14 lb \$725.00
102288	CAPP1U-50DD-LU	12 x 12 in	3.6 in - 4.5 in	1	60 lb	0.002	30 kg	0.001	18 lb \$796.00
102291	CAPP1U-100DD-LU	12 x 12 in	3.6 in - 4.5 in	1	150 lb	0.005	60 kg	0.002	18 lb \$796.00
102289	CAPP1U-50EE-LU	18 x 18 in	3.5 in - 4.4 in	1	60 lb	0.002	30 kg	0.001	64 lb \$1,065.00
102292	CAPP1U-100EE-LU	18 x 18 in	3.5 in - 4.4 in	1	150 lb	0.005	60 kg	0.002	64 lb \$1,065.00
102297	CAPP1U-200EE-LU	18 x 18 in	3.5 in - 4.4 in	1	200 lb	0.01	100 kg	0.005	64 lb \$1,065.00
102294	CAPP1U-100GG-LU	24 x 24 in	5.7 in - 6.7 in	1	150 lb	0.005	60 kg	0.002	121 lb \$1,830.00
102299	CAPP1U-250GG-LU	24 x 24 in	5.9 in - 6.4 in	1	300 lb	0.01	150 kg	0.005	121 lb \$1,855.00
102302	CAPP1U-500GG-LU	24 x 24 in	5.7 in - 6.7 in	1	600 lb	0.02	300 kg	0.01	121 lb \$1,830.00
102296	CAPP1U-100HH-LU	30 x 30 in	5.71 in - 6.71 in	1	150 lb	0.005	60 kg	0.002	187 lb \$2,454.00
102301	CAPP1U-250HH-LU	30 x 30 in	5.71 in - 6.71 in	1	300 lb	0.01	150 kg	0.005	187 lb \$2,454.00
102304	CAPP1U-500HH-LU	30 x 30 in	5.71 in - 6.71 in	1	600 lb	0.02	300 kg	0.01	187 lb \$2,454.00
102306	CAPP1U-1000HH-LU	30 x 30 in	5.71 in - 6.71 in	1	1500 lb	0.05	600 kg	0.02	187 lb \$2,454.00
<b>Pit Frames</b>									
104313	YEG-HG-PUS	30 x 24 in (HG)							\$862.00
104314	YEG-HH-PUS	30 X 30 in (HH)							\$880.00
104315	YPF01KKP-MUS	36 x 36 in (KK)							\$958.00
<b>Stainless Steel</b>									
102429	CAPS1U-10CC-LU	10 x 10 in	2.6 in - 3.4 in	1	15 lb	0.0005	6 kg	0.0002	16 lb \$985.00
102430	CAPS1U-20CC-LU	10 x 10 in	2.6 in - 3.4 in	1	30 lb	0.001	15 kg	0.0005	16 lb \$985.00
102431	CAPS1U-50CC-LU	10 x 10 in	2.6 in - 3.4 in	1	60 lb	0.002	30 kg	0.001	16 lb \$985.00
102432	CAPS1U-50DD-LU	12 x 12 in	3.3 in - 4.4 in	1	60 lb	0.002	30 kg	0.001	24 lb \$1,070.00
102433	CAPS1U-100DD-LU	12 x 12 in	3.5 in - 4.4 in	1	150 lb	0.005	60 kg	0.002	24 lb \$1,070.00
102434	CAPS1U-50EE-LU	18 x 18 in	3.5 in - 4.4 in	1	60 lb	0.002	30 kg	0.001	62 lb \$1,323.00
102435	CAPS1U-100EE-LU	18 x 18 in	3.5 in - 4.4 in	1	150 lb	0.005	60 kg	0.002	62 lb \$1,323.00
102436	CAPS1U-200EE-LU	18 x 18 in	3.5 in - 4.4 in	1	200 lb	0.01	100 kg	0.005	62 lb \$1,323.00
102458	CAPS4U-100GG-LU	24 x 24 in	3.4 in - 3.6 in	4	150 lb	0.005	60 kg	0.002	121 lb \$4,650.00
102460	CAPS4U-250GG-LU	24 x 24 in	3.4 in - 3.6 in	4	300 lb	0.01	150 kg	0.005	121 lb \$4,650.00
102461	CAPS4U-500GG-LU	24 x 24 in	3.4 in - 3.6 in	4	600 lb	0.02	300 kg	0.01	121 lb \$4,650.00
102466	CAPS4U-100HH-LU	30 x 30 in	3.4 in - 3.6 in	4	150 lb	0.005	60 kg	0.002	187 lb \$4,895.00
102467	CAPS4U-250HH-LU	30 x 30 in	3.4 in - 3.6 in	4	300 lb	0.01	150 kg	0.005	187 lb \$4,895.00
102468	CAPS4U-500HH-LU	30 x 30 in	3.4 in - 3.6 in	4	600 lb	0.02	300 kg	0.01	187 lb \$4,895.00
102469	CAPS4U-1000HH-LU	30 x 30 in	3.4 in - 3.6 in	4	1500 lb	0.05	600 kg	0.02	187 lb \$4,895.00
102470	CAPS4U-1000KK-LU	36 x 36 in	3.5 in	4	1500 lb	0.05	600 kg	0.02	250 lb \$5,495.00
102471	CAPS4U-2500KK-LU	36 x 36 in	3.5 in	4	3000 lb	0.1	1500 kg	0.05	250 lb \$5,495.00
102472	CAPS4U-5000KK-LU	36 x 36 in	3.5 in	4	6000 lb	0.2	3000 kg	0.1	250 lb \$5,495.00
102473	CAPS4U-1000NN-LU	48 x 48 in	3.5 in	4	1500 lb	0.05	600 kg	0.02	390 lb \$6,640.00
102474	CAPS4U-2500NN-LU	48 x 48 in	3.5 in	4	3000 lb	0.1	1500 kg	0.05	390 lb \$6,640.00
102475	CAPS4U-5000NN-LU	48 x 48 in	3.5 in	4	6000 lb	0.2	3000 kg	0.1	390 lb \$6,595.00
<b>Pit Frames</b>									
104320	YEG-HG-SUS	30 x 24 in (HG)							\$2,053.00
104322	YEG-HH-SUS	30 X 30 in (HH)							\$2,297.00
104323	YPF01KKT-MUS	36 x 36 in (KK)							\$2,510.00
104324	YPF01NNT-MUS	48 x 48 in (NN)							\$3,017.00

PRECISION INDUSTRIAL WEIGHING

www.ricelake.com | Phone: 800-472-6703

RICE LAKE

## Specifications

**Ingress Protection Rating:**  
IP68

**Load Cells:**  
Four hermetically sealed IP68

**Cable Length:**  
6 m (19.7 ft)

**Platform Height:**  
GG, IG, II, LG - 25 mm  
LI, LL, NL - ≤ 1000 kg = 25 m  
1500 kg = 35 mm  
3000 kg = 45 mm  
RN ≤ 600 kg = 25 m  
1000 kg = 35 mm  
≥ 1500 kg = 45 mm  
RR, WR ≤ 600 kg = 35 mm  
≥ 1000 kg = 45 mm

**Regulatory Compliance:**  
HACCP, FDA

**Warranty:**  
Two-year limited warranty



## Standard Features

- Various options for portability utilizing unique MoveLine weighing platform
- Four strain gauge stainless steel load cells ensure precise results
- Ultra low profile: standard platform height
- Material/surface finish: mild steel powder coated
- Resolution: scale intervals of 15,000 d or 30,000 d
- Drive-on ramp included with every platform
- No pit required
- IP65/NEMA Type 4 dust and water protection

## Applications

- Pharmaceutical, chemical, electronics, food processing, precious metals, metal production and processing

## Optional Configurations

- T14: Integrated column
- T4: Stop bar
- T15: Second ramp

## Part Number/Price

RLWS PN	Minebea PN	Weighing Surface Dimensions	# Load Cells	Capacity	Capacity Readability	Capacity Readability	Est. Weight	Price
100970	IFP4-150GG	23.6 x 23.6 in	4	330 lb	0.01	150 kg	0.005	198 lb \$7,331.00
100973	IFP4-300GG	23.6 x 23.6 in	4	660 lb	0.02	300 kg	0.01	198 lb \$7,331.00
100974	IFP4-600GG	23.6 x 23.6 in	4	1320 lb	0.05	600 kg	0.02	198 lb \$7,331.00
100975	IFP4-1000GG	23.6 x 23.6 in	4	2200 lb	0.1	1000 kg	0.05	198 lb \$7,331.00
100984	IFP4-150IG	31.5 x 23.6 in	4	330 lb	0.01	150 kg	0.005	221 lb \$7,438.00
100986	IFP4-300IG	31.5 x 23.6 in	4	660 lb	0.02	300 kg	0.01	221 lb \$7,438.00
100987	IFP4-600IG	31.5 x 23.6 in	4	1320 lb	0.05	600 kg	0.02	221 lb \$7,438.00
100988	IFP4-1000IG	31.5 x 23.6 in	4	2200 lb	0.1	1000 kg	0.05	221 lb \$7,438.00
100991	IFP4-150II	31.5 x 31.5 in	4	330 lb	0.01	150 kg	0.005	243 lb \$7,509.00
100992	IFP4-300II	31.5 x 31.5 in	4	660 lb	0.02	300 kg	0.01	243 lb \$7,509.00
100993	IFP4-600II	31.5 x 31.5 in	4	1320 lb	0.05	600 kg	0.02	243 lb \$7,509.00
100994	IFP4-1000II	31.5 x 31.5 in	4	2200 lb	0.1	1000 kg	0.05	243 lb \$7,509.00
100995	IFP4-1500II	31.5 x 31.5 in	4	3300 lb	0.1	1500 kg	0.05	243 lb \$7,509.00
101005	IFP4-150LG	39.4 x 23.6 in	4	330 lb	0.01	150 kg	0.005	243 lb \$7,509.00
101006	IFP4-300LG	39.4 x 23.6 in	4	660 lb	0.02	300 kg	0.01	243 lb \$7,509.00

# Minebea Intec IF Series

Painted Steel Platforms

## Part Number/Price

RLWS PN	Minebea PN	Weighing Surface Dimensions	# Load Cells	Capacity	Readability	Capacity	Readability	Est. Weight	Price
101007	IFP4-600LG	39.4 x 23.6 in	4	1320 lb	0.05	600 kg	0.02	243 lb	\$7,509.00
101008	IFP4-1000LG	39.4 x 23.6 in	4	2200 lb	0.1	1000 kg	0.05	243 lb	\$7,509.00
101009	IFP4-1500LG	39.4 x 23.6 in	4	3300 lb	0.1	1500 kg	0.05	243 lb	\$7,509.00
101010	IFP4-150LI	39.4 x 31.5 in	4	330 lb	0.01	150 kg	0.005	265 lb	\$7,611.00
101011	IFP4-300LI	39.4 x 31.5 in	4	660 lb	0.02	300 kg	0.01	265 lb	\$7,611.00
101012	IFP4-600LI	39.4 x 31.5 in	4	1320 lb	0.05	600 kg	0.02	265 lb	\$7,611.00
101013	IFP4-1000LI	39.4 x 31.5 in	4	2200 lb	0.1	1000 kg	0.05	265 lb	\$7,611.00
101014	IFP4-1500LI	39.4 x 31.5 in	4	3300 lb	0.1	1500 kg	0.05	265 lb	\$7,611.00
101015	IFP4-150LL	39.4 x 39.4 in	4	330 lb	0.01	150 kg	0.005	375 lb	\$8,109.00
101016	IFP4-300LL	39.4 x 39.4 in	4	660 lb	0.02	300 kg	0.01	375 lb	\$8,109.00
101017	IFP4-600LL	39.4 x 39.4 in	4	1320 lb	0.05	600 kg	0.02	375 lb	\$8,109.00
101018	IFP4-1000LL	39.4 x 39.4 in	4	2200 lb	0.1	1000 kg	0.05	375 lb	\$8,109.00
101019	IFP4-1500LL	39.4 x 39.4 in	4	3300 lb	0.1	1500 kg	0.05	376 lb	\$8,109.00
101020	IFP4-3000LL	39.4 x 39.4 in	4	6600 lb	0.2	3000 kg	0.1	376 lb	\$8,109.00
101021	IFP4-150NL	49.2 x 39.4 in	4	330 lb	0.01	150 kg	0.005	397 lb	\$8,267.00
101022	IFP4-300NL	49.2 x 39.4 in	4	660 lb	0.02	300 kg	0.01	397 lb	\$8,267.00
101023	IFP4-600NL	49.2 x 39.4 in	4	1320 lb	0.05	600 kg	0.02	397 lb	\$8,267.00
101024	IFP4-1000NL	49.2 x 39.4 in	4	2200 lb	0.1	1000 kg	0.05	397 lb	\$8,267.00
101025	IFP4-1500NL	49.2 x 39.4 in	4	3300 lb	0.1	1500 kg	0.05	397 lb	\$8,267.00
101026	IFP4-3000NL	49.2 x 39.4 in	4	6600 lb	0.2	3000 kg	0.1	397 lb	\$8,267.00
101027	IFP4-150NN	49.2 x 49.2 in	4	330 lb	0.01	150 kg	0.005	481 lb	\$8,578.00
101028	IFP4-300NN	49.2 x 49.2 in	4	660 lb	0.02	300 kg	0.01	481 lb	\$8,578.00
101029	IFP4-600NN	49.2 x 49.2 in	4	1320 lb	0.05	600 kg	0.02	481 lb	\$8,578.00
101030	IFP4-1000NN	49.2 x 49.2 in	4	2200 lb	0.1	1000 kg	0.05	481 lb	\$8,578.00
101031	IFP4-1500NN	49.2 x 49.2 in	4	3300 lb	0.1	1500 kg	0.05	481 lb	\$8,578.00
101032	IFP4-3000NN	49.2 x 49.2 in	4	6600 lb	0.2	3000 kg	0.1	481 lb	\$8,578.00
101033	IFP4-150RN	59.1 x 49.2 in	4	330 lb	0.01	150 kg	0.005	547 lb	\$9,035.00
101034	IFP4-300RN	59.1 x 49.2 in	4	660 lb	0.02	300 kg	0.01	547 lb	\$9,035.00
101035	IFP4-600RN	59.1 x 49.2 in	4	1320 lb	0.05	600 kg	0.02	547 lb	\$9,035.00
101036	IFP4-1000RN	59.1 x 49.2 in	4	2200 lb	0.1	1000 kg	0.05	547 lb	\$9,035.00
101037	IFP4-1500RN	59.1 x 49.2 in	4	3300 lb	0.1	1500 kg	0.05	547 lb	\$9,035.00
101038	IFP4-3000RN	59.1 x 49.2 in	4	6600 lb	0.2	3000 kg	0.1	547 lb	\$9,035.00
101039	IFP4-150RR	59.1 x 59.1 in	4	330 lb	0.01	150 kg	0.005	628 lb	\$9,534.00
101040	IFP4-300RR	59.1 x 59.1 in	4	660 lb	0.02	300 kg	0.01	628 lb	\$9,534.00
101041	IFP4-600RR	59.1 x 59.1 in	4	1320 lb	0.05	600 kg	0.02	628 lb	\$9,534.00
101042	IFP4-1000RR	59.1 x 59.1 in	4	2200 lb	0.1	1000 kg	0.05	628 lb	\$9,534.00
101043	IFP4-1500RR	59.1 x 59.1 in	4	3300 lb	0.1	1500 kg	0.05	628 lb	\$9,534.00
101044	IFP4-3000RR	59.1 x 59.1 in	4	6600 lb	0.2	3000 kg	0.1	628 lb	\$9,534.00
101045	IFP4-150WR	78.7 x 59.1 in	4	330 lb	0.01	150 kg	0.005	739 lb	\$9,849.00
101046	IFP4-300WR	78.7 x 59.1 in	4	660 lb	0.02	300 kg	0.01	739 lb	\$9,849.00
101047	IFP4-600WR	78.7 x 59.1 in	4	1320 lb	0.05	600 kg	0.02	739 lb	\$9,849.00
101048	IFP4-1000WR	78.7 x 59.1 in	4	2200 lb	0.1	1000 kg	0.05	739 lb	\$9,849.00
101049	IFP4-1500WR	78.7 x 59.1 in	4	3300 lb	0.1	1500 kg	0.05	739 lb	\$9,849.00
101050	IFP4-3000WR	78.7 x 59.1 in	4	6600 lb	0.2	3000 kg	0.1	739 lb	\$9,849.00

## Specifications

---

**Ingress Protection Rating:**

IP68

**Load Cells:**

Four hermetically sealed IP68

**Cable Length:**

6 m (19.7 ft)

**Platform Height:**

GG, IG, II, LG - 25 mm  
LI, LL, NL ≤ 1000 kg = 25 m  
1500 kg = 35 mm  
3000 kg = 45 mm  
RN ≤ 600 kg = 25 m  
1000 kg = 35 mm  
≥ 1500 kg = 45 mm  
RR, WR ≤ 600 kg = 35 mm  
≥ 1000 kg = 45 mm

**Regulatory Compliance:**

HACCP, FDA, Class 10,000 clean rooms  
(US Federal Standard 209D)

**Warranty:**

Two-year limited warranty



## Standard Features

---

- Each IF Series stainless steel platform is built with an IP68 protection rating
- Capacities from 330 lb to 6,614 lb with resolutions up to 30,000 d
- Various portability options utilizing the unique MoveLine weighing platform
- Pressure lift option
- Ultra low profile: standard platform height
- Material/surface finish: 304 bead-blasted stainless steel
- Drive-on ramp included with every platform
- No pit required
- Convenient for application-oriented weighing systems from processing to the chemical industry
- All units built for easy cleaning and disinfection to meet HACCP and FDA requirements for the food/pharmaceutical industries

## Optional Configurations

---

- L6: IP69K kit
- T4: Stop bar
- T9: Bottom plate
- T5: Towing bar
- T6: Two handles, two rollers
- T13: Four handles
- T14: Integrated column
- T15: 2nd ramp

## Applications

---

- Pharmaceutical, chemical, electronics, food processing, precious metals, metal production and processing

# Minebea Intec IF Series

Stainless Steel Platforms

PRECISION INDUSTRIAL WEIGHING

www.ricelake.com | Phone: 800-472-6703

RICELAKE

860

## Part Number/Price

RLWS PN	Minebea PN	Weighing Surface Dimensions	# Load Cells	Capacity	Readability	Capacity	Readability	Est. Weight	Price
101266	IFS4-150GG	23.6 x 23.6 in	4	330 lb	0.01	150 kg	0.005	198 lb	\$11,401.00
101267	IFS4-300GG	23.6 x 23.6 in	4	660 lb	0.02	300 kg	0.01	198 lb	\$11,401.00
101268	IFS4-600GG	23.6 x 23.6 in	4	1320 lb	0.05	600 kg	0.02	198 lb	\$11,401.00
101269	IFS4-1000GG	23.6 x 23.6 in	4	2200 lb	0.1	1000 kg	0.05	198 lb	\$11,508.00
101270	IFS4-150IG	31.5 x 23.6 in	4	330 lb	0.01	150 kg	0.005	221 lb	\$11,604.00
101274	IFS4-300IG	31.5 x 23.6 in	4	660 lb	0.02	300 kg	0.01	221 lb	\$11,604.00
101275	IFS4-600IG	31.5 x 23.6 in	4	1320 lb	0.05	600 kg	0.02	221 lb	\$11,604.00
101279	IFS4-1000IG	31.5 x 23.6 in	4	2200 lb	0.1	1000 kg	0.05	221 lb	\$11,720.00
101281	IFS4-150II	31.5 x 31.5 in	4	330 lb	0.01	150 kg	0.005	243 lb	\$11,811.00
101282	IFS4-300II	31.5 x 31.5 in	4	660 lb	0.02	300 kg	0.01	243 lb	\$11,811.00
101283	IFS4-600I	31.5 x 31.5 in	4	1320 lb	0.05	600 kg	0.02	243 lb	\$11,811.00
101284	IFS4-1000II	31.5 x 31.5 in	4	2200 lb	0.1	1000 kg	0.05	243 lb	\$11,928.00
101285	IFS4-1500II	31.5 x 31.5 in	4	3300 lb	0.1	1500 kg	0.05	243 lb	\$11,928.00
101286	IFS4-150LG	39.4 x 23.6 in	4	330 lb	0.01	150 kg	0.005	243 lb	\$12,226.00
101287	IFS4-300LG	39.4 x 23.6 in	4	660 lb	0.02	300 kg	0.01	243 lb	\$12,226.00
101288	IFS4-600LG	39.4 x 23.6 in	4	1320 lb	0.05	600 kg	0.02	243 lb	\$12,226.00
101289	IFS4-1000LG	39.4 x 23.6 in	4	2200 lb	0.1	1000 kg	0.05	243 lb	\$12,341.00
101290	IFS4-1500LG	39.4 x 23.6 in	4	3300 lb	0.1	1500 kg	0.05	243 lb	\$12,341.00
101291	IFS4-150LI	39.4 x 31.5 in	4	330 lb	0.01	150 kg	0.005	265 lb	\$12,651.00
101293	IFS4-300LI	39.4 x 31.5 in	4	660 lb	0.02	300 kg	0.01	265 lb	\$12,651.00
101294	IFS4-600LI	39.4 x 31.5 in	4	1320 lb	0.05	600 kg	0.02	265 lb	\$12,651.00
101295	IFS4-1000LI	39.4 x 31.5 in	4	2200 lb	0.1	1000 kg	0.05	265 lb	\$12,772.00
101296	IFS4-1500LI	39.4 x 31.5 in	4	3300 lb	0.1	1500 kg	0.05	265 lb	\$12,772.00
101304	IFS4-150LL	39.4 x 39.4 in	4	330 lb	0.01	150 kg	0.005	375 lb	\$13,253.00
101305	IFS4-300LL	39.4 x 39.4 in	4	660 lb	0.02	300 kg	0.01	375 lb	\$13,253.00
101306	IFS4-600LL	39.4 x 39.4 in	4	1320 lb	0.05	600 kg	0.02	375 lb	\$13,253.00
101307	IFS4-1000LL	39.4 x 39.4 in	4	2200 lb	0.1	1000 kg	0.05	375 lb	\$13,388.00
101308	IFS4-1500LL	39.4 x 39.4 in	4	3300 lb	0.1	1500 kg	0.05	375 lb	\$13,388.00
101309	IFS4-3000LL	39.4 x 39.4 in	4	6600 lb	0.2	3000 kg	0.1	375 lb	\$13,388.00
101310	IFS4-150NL	49.2 x 39.4 in	4	330 lb	0.01	150 kg	0.005	397 lb	\$13,804.00
101311	IFS4-300NL	49.2 x 39.4 in	4	660 lb	0.02	300 kg	0.01	397 lb	\$13,804.00
101312	IFS4-600NL	49.2 x 39.4 in	4	1320 lb	0.05	600 kg	0.02	397 lb	\$13,804.00
101313	IFS4-1000NL	49.2 x 39.4 in	4	2200 lb	0.1	1000 kg	0.05	397 lb	\$13,938.00
101314	IFS4-1500NL	49.2 x 39.4 in	4	3300 lb	0.1	1500 kg	0.05	397 lb	\$13,938.00
101315	IFS4-3000NL	49.2 x 39.4 in	4	6600 lb	0.2	3000 kg	0.1	397 lb	\$13,938.00
101317	IFS4-150NN	49.2 x 49.2 in	4	330 lb	0.01	150 kg	0.005	481 lb	\$14,411.00
101318	IFS4-300NN	49.2 x 49.2 in	4	660 lb	0.02	300 kg	0.01	481 lb	\$14,411.00
101319	IFS4-600NN	49.2 x 49.2 in	4	1320 lb	0.05	600 kg	0.02	481 lb	\$14,411.00
101320	IFS4-1000NN	49.2 x 49.2 in	4	2200 lb	0.1	1000 kg	0.05	481 lb	\$14,549.00
101321	IFS4-1500NN	49.2 x 49.2 in	4	3300 lb	0.1	1500 kg	0.05	481 lb	\$14,549.00
101322	IFS4-3000NN	49.2 x 49.2 in	4	6600 lb	0.2	3000 kg	0.1	481 lb	\$14,549.00
101323	IFS4-150RN	59.1 x 49.2 in	4	330 lb	0.01	150 kg	0.005	547 lb	\$14,982.00
101324	IFS4-300RN	59.1 x 49.2 in	4	660 lb	0.02	300 kg	0.01	547 lb	\$14,982.00
101325	IFS4-600RN	59.1 x 49.2 in	4	1320 lb	0.05	600 kg	0.02	547 lb	\$14,982.00
101326	IFS4-1000RN	59.1 x 49.2 in	4	2200 lb	0.1	1000 kg	0.05	547 lb	\$15,125.00
101327	IFS4-1500RN	59.1 x 49.2 in	4	3300 lb	0.1	1500 kg	0.05	547 lb	\$15,125.00



# Minebea Intec IF Series

Stainless Steel Platforms

## Part Number/Price

RLWS PN	Minebea PN	Weighing Surface Dimensions	# Load Cells	Capacity	Readability	Capacity	Readability	Est. Weight	Price
101328	IFS4-3000RN	59.1 x 49.2 in	4	6600 lb	0.2	3000 kg	0.1	628 lb	\$15,125.00
101329	IFS4-150RR	59.1 x 59.1 in	4	330 lb	0.01	150 kg	0.005	628 lb	\$15,562.00
101330	IFS4-300RR	59.1 x 59.1 in	4	660 lb	0.02	300 kg	0.01	628 lb	\$15,562.00
101331	IFS4-600RR	59.1 x 59.1 in	4	1320 lb	0.05	600 kg	0.02	628 lb	\$15,562.00
101332	IFS4-1000RR	59.1 x 59.1 in	4	2200 lb	0.1	1000 kg	0.05	628 lb	\$15,562.00
101333	IFS4-1500RR	59.1 x 59.1 in	4	3300 lb	0.1	1500 kg	0.05	628 lb	\$15,713.00
101334	IFS4-3000RR	59.1 x 59.1 in	4	6600 lb	0.2	3000 kg	0.1	739 lb	\$15,713.00
101335	IFS4-150WR	78.7 x 59.1 in	4	330 lb	0.01	150 kg	0.005	739 lb	\$16,149.00
101337	IFS4-300WR	78.7 x 59.1 in	4	660 lb	0.02	300 kg	0.01	739 lb	\$16,149.00
101338	IFS4-600WR	78.7 x 59.1 in	4	1320 lb	0.05	600 kg	0.02	739 lb	\$16,149.00
101339	IFS4-1000WR	78.7 x 59.1 in	4	2200 lb	0.1	1000 kg	0.05	739 lb	\$16,302.00
101340	IFS4-1500WR	78.7 x 59.1 in	4	3300 lb	0.1	1500 kg	0.05	739 lb	\$16,302.00
101341	IFS4-3000WR	78.7 x 59.1 in	4	6600 lb	0.2	3000 kg	0.1	739 lb	\$16,302.00

## Options/Accessories

Part #	Description	Price
T4	Stop bar	Consult
T5	Tow bar and Stop bar	Consult
T6	2 handles and 2 rollers	Consult
T7	Retractable wheels	Consult
T9	Bottom plate	Consult
<b>Steel</b>		
R2	316 T1 stainless steel	Consult
R6	304 2b stainless steel	Consult

# Minebea Intec IS Series

Weighing Platforms



## Standard Features

- The standard RS-485 interface is X-bus compatible. An RS-232C interface is optionally available. Power requirements range from 10.6 VDC to 30 VDC.
- At the touch of the unique ISO TEST key, the IS platform calibrates and adjusts itself automatically using a built-in calibration weight
- High internal resolution guarantees reliable weight readouts
- Weighing results: up to 50 times/second
- All scales come standard with stainless steel load plate (wrap-around design optional). High IP rating for ideal protection.

## Accessories and Options

- A complete selection of options and accessories are available, including interfaces, cables and connectors, power supplies, mechanical accessories, software and mechanical security devices

## Specifications

### Indicator Connectivity:

Combics UV1

### Models Sensing:

Force motor cell

### Cable Length:

6 m

### Stability:

Weight stabilizes 1.5 second

### Power Requirements:

10.6 VDC to 30 VDC supplied by external power Supply, battery pack or Combics IS indicator

### Weighing Design:

Electro magnetic

### Indicators Options:

Combics UVI models

### Construction:

Stainless steel platforms  
Die-cast or galvanized base construction (model dependent)

### Ingress Protection Rating:

BBE/CCE: IP54  
EDE: IP65  
FEC/I66: IP67

### Warranty:

Two-year limited warranty  
Accessories: One-year limited warranty

## Part Number/Price

RLWS PN	Minebea PN	Platform Size	# Load Cells	Capacity	Readability	Capacity	Readability	Est. Weight	Price
174127	ISBBP-06-H	4.5 in Ø	1	1.6 lb	0.0002	0.62 kg	0.001 g	19 lb	\$3,205.00
174128	ISBBP-3-H	7.1 in x 7.1 in	1	6.8 lb	0.0002	3.1 kg	0.01 g	19 lb	\$2,798.00
174129	ISBBP-6-H	7.1 in x 7.1 in	1	13.7 lb	0.0002	6.2 kg	0.01 g	19 lb	\$3,561.00
102003	ISDCS-16-H	15.8 in x 11.8 in	1	35 lb	0.002	16 kg	0.1 g	41 lb	\$4,472.00
102004	ISDCS-35-H	15.8 in x 11.8 in	1	75 lb	0.002	34 kg	0.1 g	41 lb	\$5,489.00
102005	ISEDE-64-SV1	15.8 in x 11.8 in	1	141 lb	0.002	64 kg	1 g	41 lb	\$5,337.00
102006	ISEDE-64-HV1	15.8 in x 11.8 in	1	141 lb	0.002	64 kg	0.1 g	41 lb	\$7,321.00
102008	ISIGG-150-HV1	32 in x 24 in	1	330 lb	0.002	150 kg	1 g	185 lb	\$7,618.00
102009	ISIGG-300-HV1	32 in x 24 in	1	660 lb	0.005	300 kg	2 g	185 lb	\$7,616.00
<b>Special Order</b>									
102012	ISIGG-150-DS1	32 in x 24 in	1	330 lb	0.002	150 kg	0.1 g	185 lb	\$8,173.00
102013	ISIGG-300-DS1	32 in x 24 in	1	660 lb	0.005	300 kg	0.2 g	185 lb	\$8,611.00

## Options/Accessories

RLWS PN	Minebea PN	Description	Price
Consult	-	Interface Mode (RS-485/422) required with Combics II indicators	Consult
32636	YRB06Z	Battery pack, external (requires YASO315)	\$755.00
Consult	-	DC power supply to weigh platform	Consult
Consult	YCC05_001M5	Cable, 25-Pin to 9-Pin D sub, cable for PC	Consult

## Indicators

RLWS PN	Description	Comments	Price
115668	CAISL1-UV1	Combics 1 indicator for IS base, IP44	\$1,562.00
115670	CAISL2-UV1	Combics 2 indicator for IS base, IP44	\$1,818.00
Consult	CAISL3-UV1	Combics 3 indicator for IS base, IP44	\$2,121.00
115671	CAIS1-UV1	Combics 1 indicator for IS base, IP69K	\$1,714.00
115673	CAIS2-UV1	Combics 2 indicator for IS base, IP69K	\$2,071.00
115674	CAIS3-UV1	Combics 3 indicator for IS base, IP69K	\$2,447.00

# Minebea Intec Signum Ex Supreme

Explosion Proof Bench Scale



## Standard Features

- Monolithic weighing system
- Resolution up to 620,000 d
- Stainless steel weighing pan
- IECEx/ATEX Zone 1/2/21/22
- FM Class I, II, III; Div. 1; Groups ABCDEFG and T4
- Stainless or painted versions
- Requires YPS02-XUR (RL # 46518) US hazardous area or YPS02-ZKR (RL# 46517) safe area connection

## APPROVALS



## Specifications

### Material:

SIWXSBBP, SIWXSDCP – Stainless steel display unit, painted platform with stainless steel load plate  
SIWXSBBBS, SIWXSDCS – Brushed stainless steel

### IP Protection:

IP65  
IP44 Zone 1 ONLY: SIWXSBBP, SIWXSBBBS 1.3 lb (0.6kg)

### Net Weight/Gross Weight:

SIWXSBBP, SIWXSBBBS : 19.8/23.8 lb (9.0/10.8 kg)  
SIWXSDCP, SIWXSDCS : 33/39.6 lb (15.0/18.0 kg)

### Packaging Dimensions:

SIWXSBBP, SIWXSBBBS (W x D x H): 22.4 x 15.7 x 14.5 in (570 x 400 x 370 mm)  
SIWXSDCP, SIWXSDCS (W x D x H): 20 x 17.3 x 16.1 in (510 x 440 x 410 mm)

### Operating Temperature:

SIWXSBBP, SIWXSBBBS 50° F to 104° F (10° C to 40° C)  
SIWXSDCP, SIWXSDCS 14° F to 104° F (-10° C to 40° C)

### Data Interfaces:

RS-232  
Can be switched to RS-485 or RS-422 connection via 14-Pin round socket

### Supply Voltage:

Via external power supply, connection via 14-Pin round socket (20 cm cable)

### Power Supply Hazardous Area:

ATEX: YPSC01-X

### Power Supply Safe Area:

ATEX: YPSC01-Z  
FM/CSA: YPS02-ZKR (PN 46517)

### Battery Operation:

Via external battery YRB02-X (103068)  
Charger PN 103069

### Cable Length:

2 m (6.6 ft) between display unit and platform

### Warranty:

Two-year limited warranty

# Minebea Intec Signum Ex Supreme

Explosion Proof Bench Scale

## Part Number/Price

RLWS PN	Minebea PN	Description	Platform Dimensions	Price
<b>Painted</b>				
155866	SIWXSBBP-3-06-H	1.3 x 0.000002 lb (0.62 kg x 0.001 g)	5 in ø	\$6,420.00
155867	SIWXSBBP-3-3-H	6.8 x 0.00002 lb (3.1 kg x 0.01 g)	7.1 x 7.1 in	\$4,732.00
155868	SIWXSBBP-3-6-H	13.5 x 0.00002 lb (6.1 kg x 0.01 g)	7.1 x 7.1 in	\$5,748.00
155870	SIWXSDCP-3-35-H	75 x 0.0002 lb (35 kg x 0.1 g)	13.7 x 9.7 in	\$6,029.00
<b>Stainless</b>				
155871	SIWXSBBP-3-3-H	6.8 x 0.00002 lb (3.1 kg x 0.01 g)	7.1 x 7.1 in	\$6,598.00
155872	SIWXSBBP-3-6-H	13.5 x 0.0002 lb (6.1 kg x 0.01 g)	7.1 x 7.1 in	\$7,606.00
155873	SIWXSDCS-3-35-H	75 x 0.0002 lb (35 kg x 0.1 g)	14.5 x 10.25 in	\$7,499.00

## Options/Accessories

RLWS PN	Minebea PN	Description	Price
46518	YPS02-XUR	Hazardous area power supply - (FM approved for use in the USA) (8 ft. of intrinsic cable and 8 ft. of cable requiring hard wiring by licensed electrician)	\$2,030.00
46517	YPS02-ZKR	Safe area power supply (65 ft of intrinsically safe cable)	\$1,374.00
103055	YDI05-ZU2	Zener barrier hazardous area RS-232 to RS-232 converter, 14-Pin plug	\$967.00
103059	YDI05-ZU3	Zener barrier hazardous area RS-422 to RS-232 (requires 6971413, RL 50232, power supply) cable connection not included	\$815.00
153218	YDH01PUS	Column for DC platforms, height 19 in	\$299.00
155884	YDH02P	Column for BBP platforms, height 15.75 in	\$595.00
103068	YRB02-X	Rechargeable battery (requires 103069 battery charger)	\$1,623.00
103069	YRB02-LD	Battery charger (requires power cord)	\$376.00
103057	YCC422-X	Cable without connectors for RS-422	\$15.00/ft
102078	6971954	Power cord	\$45.00

# Minebea Intec Combics 2 Ex

Explosion Proof Digital Weight Indicator



## Specifications

- Load Cell:**  
4 or 6 wire
- Supply Voltage:**  
6V
- Housing:**  
304 stainless steel
- Ingress Protection Rating:**  
IP69K/NEMA Type 4X
- Dimensions:**  
(W x D x H): 11.9 x 7.4 x 3.5 in (302.3 x 188 x 89 mm)
- Operating Temperature:**  
14° F to 104° F (-10° C to 40° C)
- Warranty:**  
Two-year limited warranty  
Accessories: One-year limited warranty
- Approvals:**  
FM approved

## Standard Features

- Amber backlit LCD dot matrix display
- On/Off, Zero, Tare and Print/Data Keys
- Function keys for: Gross/net toggle; three-way unit toggle; 10X higher resolution toggle
- Two header line storage
- Battery charge status display (with connection of battery pack)
- Numeric keypad with two IDs for entering identifier codes and preset tare
- Date/time fully integrated
- GMP printable record
- Three built-in LED checkweighing lights
- Bar graph weighing range indicator
- Application data and totalization memory stored in battery-backed RAM
- Optional barcode scanner for preset tare, reference weight and ID entry
- Requires power supply

## APPROVALS



## Applications Software Pre-installed

- Counting, checkweighing, differential weighing, percentage weighing, gross-net-tare, sorting, net-total, animal weighing.
- Ex approval: FM Class 1,2,3, Division 1, Groups ABCDEFG and temperature class T4.
- Weighbridge connectivity – maximum two precision weighing platforms or load cells, and one precision platform or 1 Combics Ex and one precision platform.
- Power supply can be provided by 110-220 VAC connections and a 24 VDC industrial power module (each suitable for hazardous and safe areas) and a rechargeable battery pack in stainless steel casing.

## Part Number/Price

RLWS PN	Minebea PN	Description	Est. Weight	Price
158644	CAIXS2-U	IP69K Protection rated	7 lb	\$2,245.00

*\*IS power supply or battery pack required*

## Options/Accessories

RLWS PN	Minebea PN	Description	Price
46518	YPS02-XUR	Power supply, hazardous area, United States	\$2,030.00
46517	YPS02-ZKR	Power supply, safe area, 65 ft cable	\$1,374.00
103068	YRB02-X	Battery pack, 30+ hours (requires 103069)	\$1,623.00
103069	YRB02-LD	Charger for battery pack	\$376.00
103054	YCC02-XR14F02	Quick disconnect cable, for Zener Barrier	\$262.00
155882	YDI05-ZU1	Zener Barrier, requires 103054	\$967.00
155918	A19	485 interface (IS-X Base)	\$183.00
155919	M26	Cable to IS-X	\$259.00
105607	YDH02CISUS	Wall mount bracket	\$75.00

# Minebea Intec Combics

## Explosion Proof Bench and Floor Platform Scales

### Specifications

**Cable Length:**

Up to 30 x 30 - 10ft  
36 x 36 and over - 20ft

**Operating Temperature:**

14°F to 104°F

**Ingress Protection Rating:**

NEMA Type 4/IP67

**Indicator Option:**

CIXS3-U

**Warranty:**

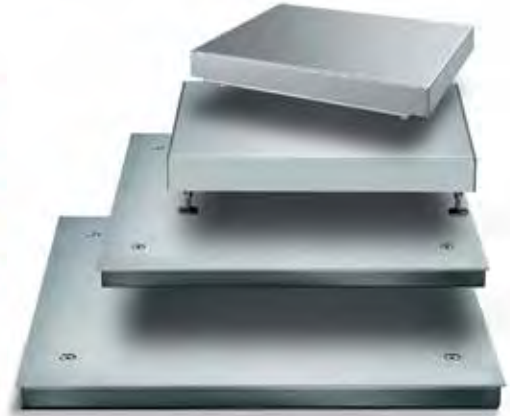
Two-year limited warranty  
Accessories: One-year limited warranty

**Approvals:**

FM approved Classes 1,2,3, Division 1, Groups ABCDE-GFT4, US and Canadian hazardous areas, when used with CIXS3-U or FCT01-X indicator



\*GLP/GMP requires use of Combics 1 Plus or higher digital weight indicator



### Standard Features

- FM Approved: Classes 1,2,3, Division 1, Groups ABCDEGFT4, US and Canadian hazardous areas, when used with CIX53-U
- Can be used in areas where explosive gas and dust mixtures occur
- Documentation to verify intrinsic safety available upon request
- Completely constructed with AISI 304 stainless steel
- All units are built for easy cleaning and disinfection and meet HACCP and FDA requirements for the food industry
- Load cells are hermetically sealed, IP68 protection rated
- Load cell cables are 10ft (for bases up to 30 x 30 in) or 20ft (for bases 36 x 36 in and larger)
- NEMA Type 4/IP67 protection rated
- Pit frames for flush mounting available
- High resolution 30,000 d

### APPROVALS



### Applications

- Pharmaceutical, chemical, electronics, food processing, precious metals, metal production and processing
- Regulatory compliance: NEMA, HACCP, FDA, GLP/GMP\*, FM

### Part Number/Price

RLWS PN	Minebea PN	Dimensions	Height Adjustment	# Load Cells	Capacity	Readability	Capacity	Readability	Est. Weight	Price
100919	CAPXS1U-10CC	10 x 10 in	2.37 in	1	15 lb	0.0005	6 kg	0.0002	16 lb	\$1,055.00
100920	CAPXS1U-20CC	10 x 10 in	2.37 in	1	30 lb	0.001	15 kg	0.0005	16 lb	\$1,055.00
100921	CAPXS1U-50CC	10 x 10 in	2.37 in	1	60 lb	0.002	30 kg	0.001	16 lb	\$1,055.00
100922	CAPXS1U-50DD	12 x 12 in	3.87 in	-	60 lb	0.002	30 kg	0.001	24 lb	\$1,180.00
100923	CAPXS1U-100DD	12 x 12 in	3.87 in	1	150 lb	0.005	60 kg	0.002	24 lb	\$1,180.00
100924	CAPXS1U-50EE	18 x 18 in	3.5 in	1	60 lb	0.002	30 kg	0.001	62 lb	\$1,460.00
100925	CAPXS1U-100EE	18 x 18 in	3.5 in	1	150 lb	0.005	60 kg	0.002	62 lb	\$1,460.00
100926	CAPXS1U-200EE	18 x 18 in	3.5 in	1	200 lb	0.01	100 kg	0.005	62 lb	\$1,460.00
100934	CAPXS4U-250GG	24 x 24 in	3.31 in	4	300 lb	0.01	150 kg	0.005	12 lb	\$4,655.00
100935	CAPXS4U-500GG	24 x 24 in	3.31 in	4	600 lb	0.02	300 kg	0.01	12 lb	\$4,655.00
100943	CAPXS4U-500HH	30 x 30 in	3.31 in	4	600 lb	0.02	300 kg	0.01	187 lb	\$4,895.00
100944	CAPXS4U-1000HH	30 x 30 in	3.31 in	4	1500 lb	0.05	600 kg	0.02	187 lb	\$4,895.00
100945	CAPXS4U-1000KK	36 x 36 in	3.75 in	4	1500 lb	0.05	600 kg	0.02	250 lb	\$5,799.00
100946	CAPXS4U-2500KK	36 x 36 in	3.75 in	4	3000 lb	0.1	1500 kg	0.05	250 lb	\$5,595.00
100947	CAPXS4U-5000KK	36 x 36 in	3.75 in	4	6000 lb	0.2	3000 kg	0.1	250 lb	\$5,595.00
100949	CAPXS4U-2500NN	48 x 48 in	3.75 in	4	3000 lb	0.1	1500 kg	0.05	390 lb	\$7,245.00
100950	CAPXS4U-5000NN	48 x 48 in	3.75 in	4	6000 lb	0.2	3000 kg	0.1	390 lb	\$6,925.00

PRECISION INDUSTRIAL WEIGHING

www.ricelake.com | Phone: 800-472-6703

RICE LAKE

# Minebea Intec IF Series

Explosion Proof Weighing Platform Scales



## Standard Features

- Capacities from 150 kg to 3,000 kg with resolutions up to 30,000 d
- Ultra low profile: standard platform height is 35 mm; optional heights available as low as 25 mm
- Material/surface finish: 304 bead-blasted stainless steel
- Drive-on ramp included with every platform
- No pit required
- Convenient for application-oriented weighing systems from processing to the chemical industry
- Standard configuration: AISI 304 stainless steel

## Optional Configurations

- Electro-polished finish
- AISI 304 electro-polished stainless steel platform
- AISI 316Ti electro-polished stainless steel platform
- Ingenious manually-operated lifting mechanism option (patented system) for effortless raising of the platform to facilitate cleaning underneath.
- R2: Cold rolled AISI 316Ti stainless steel, electro-polished
- R6: AISI 304 2b stainless steel, electro-polished
- T4: Stop bar
- T5: Tow bar and stop bar
- T6: Two handles and two rollers
- T7: Retractable wheels (reduces effective resolution to 15,000 dd)
- T9: Additional bottom plate
- T15: Second ramp
- T14: Integrated column
- T13: Four handles

## Applications

- Pharmaceutical, chemical, electronics, food processing, precious metals, metal production and processing

## APPROVALS



## Specifications

### Ingress Protection Rating:

IP68

### Load Cells:

Four hermetically sealed IP68

### Cable Length:

19.7 ft (6 m)

### Regulatory Compliance:

HACCP, FDA, Class 10,000 clean rooms  
(US Federal Standard 209D)

### Warranty:

Two-year limited warranty

### Approvals:

FM approved, IFXS4 series, are certified for use in Class 1,2,3, Div. 1, Groups ABCDEFT4 (Verification of Intrinsic Safety included; also covers any explosion-protected Minebea components combined with this platform series)

## Regulatory Compliance

- NEMA, HACCP, FDA, GLP/GMP\*, Class 10,000 clean rooms (US Federal Standard 209D) (Equivalent to Class C in accordance with EEC-GWP), FM

\*GLP/GMP requires use of Combics 1 Plus or higher digital weight indicator





# Minebea Intec IF Series

Explosion Proof Weighing Platforms

## Part Number/Price

RLWS PN	Minebea PN	Weighing Surface Dimensions	# Load Cells	Capacity	Readability	Capacity	Readability	Est. Weight	Price
102530	IFXS4-150GG	23.6 x 23.6 in	4	330 lb	0.01	150 kg	0.005	198 lb	\$11,772.00
102531	IFXS4-300GG	23.6 x 23.6 in	4	660 lb	0.02	300 kg	0.01	198 lb	\$11,534.00
102532	IFXS4-600GG	23.6 x 23.6 in	4	1320 lb	0.05	600 kg	0.02	198 lb	\$11,891.00
102533	IFXS4-1000GG	23.6 x 23.6 in	4	2200 lb	0.1	1000 kg	0.05	198 lb	\$11,951.00
102534	IFXS4-150IG	31.5 x 23.6 in	4	330 lb	0.01	150 kg	0.005	221 lb	\$11,831.00
102536	IFXS4-300IG	31.5 x 23.6 in	4	660 lb	0.02	300 kg	0.01	221 lb	\$11,772.00
102537	IFXS4-600IG	31.5 x 23.6 in	4	1320 lb	0.05	600 kg	0.02	221 lb	\$12,010.00
102538	IFXS4-1000IG	31.5 x 23.6 in	4	2200 lb	0.1	1000 kg	0.05	221 lb	\$12,129.00
102540	IFXS4-150II	31.5 x 31.5 in	4	330 lb	0.01	150 kg	0.005	243 lb	\$12,129.00
102541	IFXS4-300II	31.5 x 31.5 in	4	660 lb	0.02	300 kg	0.01	243 lb	\$11,879.00
102542	IFXS4-600II	31.5 x 31.5 in	4	1320 lb	0.05	600 kg	0.02	243 lb	\$12,248.00
102543	IFXS4-1000II	31.5 x 31.5 in	4	2200 lb	0.1	1000 kg	0.05	243 lb	\$12,366.00
102544	IFXS4-1500II	31.5 x 31.5 in	4	3300 lb	0.1	1500 kg	0.05	243 lb	\$12,129.00
102545	IFXS4-150LG	39.4 x 23.6 in	4	330 lb	0.01	150 kg	0.005	243 lb	\$12,248.00
102546	IFXS4-300LG	39.4 x 23.6 in	4	660 lb	0.02	300 kg	0.01	243 lb	\$12,248.00
102547	IFXS4-600LG	39.4 x 23.6 in	4	1320 lb	0.05	600 kg	0.02	243 lb	\$12,486.00
102548	IFXS4-1000LG	39.4 x 23.6 in	4	2200 lb	0.1	1000 kg	0.05	243 lb	\$12,842.00
102549	IFXS4-1500LG	39.4 x 23.6 in	4	3300 lb	0.1	1500 kg	0.05	243 lb	\$12,486.00
102550	IFXS4-150LI	39.4 x 31.5 in	4	330 lb	0.01	150 kg	0.005	265 lb	\$12,605.00
102551	IFXS4-300LI	39.4 x 31.5 in	4	660 lb	0.02	300 kg	0.01	265 lb	\$12,723.00
102552	IFXS4-600LI	39.4 x 31.5 in	4	1320 lb	0.05	600 kg	0.02	265 lb	\$12,842.00
102553	IFXS4-1000LI	39.4 x 31.5 in	4	2200 lb	0.1	1000 kg	0.05	265 lb	\$13,080.00
102554	IFXS4-1500LI	39.4 x 31.5 in	4	3300 lb	0.1	1500 kg	0.05	265 lb	\$12,842.00
102555	IFXS4-150LL	39.4 x 39.4 in	4	330 lb	0.01	150 kg	0.005	375 lb	\$13,318.00
102556	IFXS4-300LL	39.4 x 39.4 in	4	660 lb	0.02	300 kg	0.01	375 lb	\$13,199.00
102557	IFXS4-600LL	39.4 x 39.4 in	4	1320 lb	0.05	600 kg	0.02	375 lb	\$13,318.00
102558	IFXS4-1000LL	39.4 x 39.4 in	4	2200 lb	0.1	1000 kg	0.05	375 lb	\$13,675.00
102559	IFXS4-1500LL	39.4 x 39.4 in	4	3300 lb	0.1	1500 kg	0.05	375 lb	\$13,318.00
102560	IFXS4-3000LL	39.4 x 39.4 in	4	6600 lb	0.2	3000 kg	0.1	375 lb	\$13,318.00
102561	IFXS4-150NL	49.2 x 39.4 in	4	330 lb	0.01	150 kg	0.005	397 lb	\$13,675.00
102562	IFXS4-300NL	49.2 x 39.4 in	4	660 lb	0.02	300 kg	0.01	397 lb	\$13,794.00
102563	IFXS4-600NL	49.2 x 39.4 in	4	1320 lb	0.05	600 kg	0.02	397 lb	\$13,794.00
102564	IFXS4-1000NL	49.2 x 39.4 in	4	2200 lb	0.1	1000 kg	0.05	397 lb	\$14,031.00
102565	IFXS4-1500NL	49.2 x 39.4 in	4	3300 lb	0.1	1500 kg	0.05	397 lb	\$13,912.00
102566	IFXS4-3000NL	49.2 x 39.4 in	4	6600 lb	0.2	3000 kg	0.1	397 lb	\$14,031.00
102567	IFXS4-150NN	49.2 x 49.2 in	4	330 lb	0.01	150 kg	0.005	481 lb	\$14,268.00
102568	IFXS4-300NN	49.2 x 49.2 in	4	660 lb	0.02	300 kg	0.01	481 lb	\$14,269.00
102569	IFXS4-600NN	49.2 x 49.2 in	4	1320 lb	0.05	600 kg	0.02	481 lb	\$14,507.00
102570	IFXS4-1000NN	49.2 x 49.2 in	4	2200 lb	0.1	1000 kg	0.05	481 lb	\$14,388.00
102571	IFXS4-1500NN	49.2 x 49.2 in	4	3300 lb	0.1	1500 kg	0.05	481 lb	\$14,388.00
102572	IFXS4-3000NN	49.2 x 49.2 in	4	6600 lb	0.2	3000 kg	0.1	481 lb	\$14,388.00
102573	IFXS4-150RN	59.1 x 49.2 in	4	330 lb	0.01	150 kg	0.005	547 lb	\$14,983.00
102574	IFXS4-300RN	59.1 x 49.2 in	4	660 lb	0.02	300 kg	0.01	547 lb	\$14,673.00
102575	IFXS4-600RN	59.1 x 49.2 in	4	1320 lb	0.05	600 kg	0.02	547 lb	\$14,983.00
102576	IFXS4-1000RN	59.1 x 49.2 in	4	2200 lb	0.1	1000 kg	0.05	547 lb	\$14,864.00
102577	IFXS4-1500RN	59.1 x 49.2 in	4	3300 lb	0.1	1500 kg	0.05	547 lb	\$14,983.00

Rails add 16.1 in to width

PRECISION INDUSTRIAL WEIGHING

www.ricelake.com | Phone: 800-472-6703

RICE LAKE

# Minebea Intec IF Series

Explosion Proof Weighing Platforms

PRECISION INDUSTRIAL WEIGHING

## Part Number/Price

RLWS PN	Minebea PN	Weighing Surface Dimensions	# Load Cells	Capacity	Readability	Capacity	Readability	Est. Weight	Price
102578	IFXS4-3000RN	59.1 x 59.1 in	4	6600 lb	0.2	3000 kg	0.1	547 lb	\$15,042.00
102579	IFXS4-150RR	59.1 x 59.1 in	4	330 lb	0.01	150 kg	0.005	628 lb	\$15,245.00
102580	IFXS4-300RR	59.1 x 59.1 in	4	660 lb	0.02	300 kg	0.01	628 lb	\$15,245.00
102581	IFXS4-600RR	59.1 x 59.1 in	4	1320 lb	0.05	600 kg	0.02	628 lb	\$15,577.00
102582	IFXS4-1000RR	59.1 x 59.1 in	4	2200 lb	0.1	1000 kg	0.05	628 lb	\$15,458.00
102583	IFXS4-1500RR	59.1 x 59.1 in	4	3300 lb	0.1	1500 kg	0.05	628 lb	\$15,457.00
102584	IFXS4-3000RR	59.1 x 59.1 in	4	6600 lb	0.2	3000 kg	0.1	628 lb	\$15,245.00
102585	IFXS4-150WR	78.7 x 59.1 in	4	330 lb	0.01	150 kg	0.005	739 lb	\$15,815.00
102586	IFXS4-300WR	78.7 x 59.1 in	4	660 lb	0.02	300 kg	0.01	739 lb	\$15,815.00
102587	IFXS4-600WR	78.7 x 59.1 in	4	1320 lb	0.05	600 kg	0.02	739 lb	\$15,815.00
102588	IFXS4-1000WR	78.7 x 59.1 in	4	2200 lb	0.1	1000 kg	0.05	739 lb	\$15,815.00
102589	IFXS4-1500WR	78.7 x 59.1 in	4	3300 lb	0.1	1500 kg	0.05	739 lb	\$15,815.00
102590	IFXS4-3000WR	78.7 x 59.1 in	4	6600 lb	0.2	3000 kg	0.1	739 lb	\$15,815.00

Rails add 16.1 in to width

## Options/Accessories - Not Available On All Models

Part #	Description	Price
T4	Stop bar	Consult
T5	Tow bar and stop bar	Consult
T6	Two handles and two rollers	Consult
T7	Retractable wheels	Consult
T9	Bottom plate	Consult
T13	Four handles	Consult
T14	Integrated column	Consult
T15	Second ramp	Consult
<b>Steel</b>		
R2	316 stainless steel	Consult
R6	304 stainless steel	Consult

www.ricelake.com | Phone: 800-472-6703

RICELAKE

## Specifications

### Indicator Connectivity:

Combics CAIXS2 with option

### Weighing Design:

Electromagnetic

### Cable Length:

9 ft (2.75 m)

### Stability:

Weight stabilizes 1.5 second

### Interface:

RS-485 standard

### Power Requirements:

Requires YPS02-XKR (46518) hazardous area power supply or YPS02-ZKR (46517) safe area power supply

### Construction:

Stainless steel platform, die cast or galvanized base construction (model dependent)

### Ingress Protection:

CCE:.....IP54

EDE:.....IP65

IGG:.....IP67

### Warranty:

Two-year limited warranty; accessories one year



### Sample Order Configuration:

1. Select base
  2. Select two power supplies – base and indicator
- 158644 CAIXS2  
155918 A19 485 interface  
155919 M26 cable to IS-X

## Standard Features

- Network-capable: RS-485 interface is X-bus compatible
- Built-in internal calibration function: at the touch of the unique ISO TEST Key, the IS platform calibrates and adjusts itself automatically using a built-in calibration weight
- High resolution: guarantees reliable weight readouts
- Fast weighing results: up to 50 times/second
- Stainless steel load plate: all scales come standard with stainless steel load plate
- High IP rating for ideal protection

## Part Number/Price

RLWS PN	Minebea PN	Description	Pan size	Price
181654	ISXBBS-3-H	6.8 lb x 0.00002 lb (3.1 kg x 0.01 g)	7.1 x 7.1 in	\$5,550.00
155877	IS16EDE-HX	35 lb x 0.0002 lb (16 kg x 0.1 g)	15.8 x 11.8 in	\$5,115.00
155878	IS34EDE-HX	75 lb x 0.0002 lb (34 kg x 0.1 g)	15.8 x 11.8 in	\$5,430.00
155879	IS64EDE-SX	141 lb x 0.002 lb (64 kg x 1 g)	15.8 x 11.8 in	\$6,295.00
156371	IS64EDE-HX	141 lb x 0.0002 lb (64 kg x 0.1 g)	15.8 x 11.8 in	\$7,995.00
155880	IS150IGG-HX	330 lb x 0.002 lb (150 kg x 1 g)	32 x 24 in	\$7,345.00
155881	IS300IGG-HX	660 lb x 0.005 lb (300 kg x 2 g)	32 x 24 in	\$7,775.00

## Options/Accessories

RLWS PN	Minebea PN	Description	Price
<b>Power Supply Required (one for base and one for indicator)</b>			
46518	YPS02-XUR	Hazardous area power supply	\$2,030.00
46517	YPS02-ZKR	Safe area power supply	\$1,374.00
<b>Indicator and Options Required</b>			
158644	CAIXS2	Combics Ex (requires 155918 and 155919)	\$2,245.00
155918	A19	485 Interface	\$183.00
155919	M26	Cable to IS-X	\$259.00
155882	YDI05-ZU1	Zener barrier, RS-232, 20 m cable open end	\$967.00
103055	YDI05-ZU2	Zener barrier, RS-232, 14-pin end	\$967.00
103059	YDI05-ZU3	Zener barrier, RS-422, RS-232 (requires 6971413 RL# 50232 power supply) cable connection not included	\$815.00

# Minebea Intec PR6201

Zinc-Plated Steel Star Mount Kits



Junction Box not shown

The PR6201 mounting kit family is optimized for the PR 6201 load cell family to ensure best weighing performance. It covers the capacity range from 500 kg up to 300t. The special design allows a horizontal displacement in the unconstrained direction of the load cell. All constrainers are 100% maintenance free. There are two different materials available: stainless steel or mild steel zinc plated. Its unique design includes a dummy function to install the vessel without a load cell. The top load disc remains in place even when the load cell is not mounted. The design principle integrates a lift-off protection and built-in stops.

## Standard Features

- Fast and easy installation
- Mounting kit with dummy function included
- Designed to withstand high lateral forces
- Maintenance-free constrainer and module construction
- Patent pending DE 101 38 435A1
- Approval Certificate "Germanischer Lloyd" No. 47-458-03HH
- Load cell output 1 mV/V
- 15-year load cell warranty
- 10,000 division load cell
- 45 kN zinc-plated mount destructive lateral force; 20 kN permissible lift-off protection
- Foot 20 kN lateral force and lift-off protection

## LOAD CELL CERTIFICATIONS



## Zinc-Plated Steel Options

Total Capacity		Load Cell Capacity		RLWS Part #	Minebea Part #	Price
<b>3-Module Kit</b>						
3,300 lb	1,500 kg	1,100 lb	500 kg	<b>158706</b>	PR6201-1531-U	\$7,629.50
6,600 lb	3,000 kg	2,200 lb	1,000 kg	<b>158708</b>	PR6201-3031-U	\$7,629.50
13,200 lb	6,000 kg	4,400 lb	2,000 kg	<b>158710</b>	PR6201-6031-U	\$7,629.50
19,800 lb	9,000 kg	6,600 lb	3,000 kg	<b>158712</b>	PR6201-9031-U	\$7,629.50
33,000 lb	15,000 kg	11,025 lb	5,000 kg	<b>158716</b>	PR6201-15031-U	\$7,629.50
66,000 lb	30,000 kg	22,050 lb	10,000 kg	<b>158719</b>	PR6201-30031-U	\$7,629.50
132,000 lb	60,000 kg	44,100 lb	20,000 kg	<b>158721</b>	PR6201-60031-U	\$7,809.50
198,000 lb	90,000 kg	66,140 lb	30,000 kg	<b>158723</b>	PR6201-90031-U	\$7,947.50
330,500 lb	150,000 kg	110,200 lb	50,000 kg	<b>158725</b>	PR6201-150031-U	\$8,516.50
<b>4-Module Kit</b>						
4,400 lb	2,000 kg	1,100 lb	500 kg	<b>158707</b>	PR6201-2041-U	\$9,533.50
8,800 lb	4,000 kg	2,200 lb	1,000 kg	<b>158709</b>	PR6201-4041-U	\$9,533.50
17,600 lb	8,000 kg	4,400 lb	2,000 kg	<b>158711</b>	PR6201-8041-U	\$9,533.50
26,400 lb	12,000 kg	6,600 lb	3,000 kg	<b>158713</b>	PR6201-12041-U	\$9,533.50
44,000 lb	20,000 kg	11,025 lb	5,000 kg	<b>158718</b>	PR6201-20041-U	\$9,533.50
88,000 lb	40,000 kg	22,050 lb	10,000 kg	<b>158720</b>	PR6201-40041-U	\$9,533.50
176,000 lb	80,000 kg	44,100 lb	20,000 kg	<b>158722</b>	PR6201-80041-U	\$9,773.50
264,500 lb	120,000 kg	66,140 lb	30,000 kg	<b>158724</b>	PR6201-120041-U	\$9,957.50
440,500 lb	200,000 kg	110,200 lb	50,000 kg	<b>158726</b>	PR6201-200041-U	\$10,781.50

Complete Kit Includes:  
 PR6201 load cell, PR6001/10 (11) mount, junction box, load cell extension cable;  
 Four-mount kit includes PR6001/00 or (01) N foot

# Minebea Intec PR6201

## Stainless Steel Star Mount Kits

The PR6201 mounting kit family is optimized for the PR 6201 load cell family to ensure best weighing performance. It covers the capacity range from 500 kg up to 300 t. The special design allows a horizontal displacement in the unconstrained direction of the load cell. All constrainers are 100% maintenance free. There are two different materials available: stainless steel or mild steel zinc plated. Its unique design includes a dummy function to install the vessel without a load cell. The top load disc remains in place even when the load cell is not mounted. The design principle integrates a lift-off protection and built-in stops.



Junction Box not shown

### Standard Features

- Fast and easy installation
- Mounting kit with dummy function included
- PR 6201 load cell for capacities ranging from 500 kg to 300 t
- Designed to withstand high lateral forces
- Maintenance-free constrainer and module construction
- Patent pending DE 101 38 435A1
- Approval Certificate "Germanischer Lloyd" No. 47-458-03HH
- Load cell output 1 mV/V
- 15-year load cell warranty
- 10,000 division load cell
- 39 kN stainless steel mount destructive lateral force; 20 kN permissible lift-off protection
- Foot 20 kN lateral force and lift-off protection

### LOAD CELL CERTIFICATIONS



### Stainless Steel Options

Total Capacity		Load Cell Capacity		RLWS Part #	Minebea Part #	Price
<b>3-Module Kit</b>						
3,300 lb	1,500 kg	1,100 lb	500 kg	<b>158727</b>	PR6201-1532-U	\$9,114.50
6,600 lb	3,000 kg	2,200 lb	1,000 kg	<b>158788</b>	PR6201-3032-U	\$9,114.50
13,200 lb	6,000 kg	4,400 lb	2,000 kg	<b>158731</b>	PR6201-6032-U	\$9,114.50
19,800 lb	9,000 kg	6,600 lb	3,000 kg	<b>158733</b>	PR6201-9032-U	\$9,114.50
33,000 lb	15,000 kg	11,025 lb	5,000 kg	<b>158735</b>	PR6201-15032-U	\$9,114.50
66,000 lb	30,000 kg	22,050 lb	10,000 kg	<b>158737</b>	PR6201-30032-U	\$9,114.50
132,000 lb	60,000 kg	44,100 lb	20,000 kg	<b>158739</b>	PR6201-60032-U	\$9,294.50
198,000 lb	90,000 kg	66,140 lb	30,000 kg	<b>158741</b>	PR6201-90032-U	\$9,432.50
330,500 lb	150,000 kg	110,200 lb	50,000 kg	<b>158743</b>	PR6201-150032-U	\$10,034.50
<b>4-Module Kit</b>						
4,400 lb	2,000 kg	1,100 lb	500 kg	<b>158729</b>	PR6201-2042-U	\$11,358.50
8,800 lb	4,000 kg	2,200 lb	1,000 kg	<b>158730</b>	PR6201-4042-U	\$11,358.50
17,600 lb	8,000 kg	4,400 lb	2,000 kg	<b>158732</b>	PR6201-8042-U	\$11,358.50
26,400 lb	12,000 kg	6,600 lb	3,000 kg	<b>158734</b>	PR6201-12042-U	\$11,358.50
44,000 lb	20,000 kg	11,025 lb	5,000 kg	<b>158736</b>	PR6201-20042-U	\$11,358.50
88,000 lb	40,000 kg	22,050 lb	10,000 kg	<b>158738</b>	PR6201-40042-U	\$11,358.50
176,000 lb	80,000 kg	44,100 lb	20,000 kg	<b>158740</b>	PR6201-80042-U	\$11,598.50
264,500 lb	120,000 kg	66,140 lb	30,000 kg	<b>158742</b>	PR6201-120042-U	\$11,782.50
440,500 lb	200,000 kg	110,200 lb	50,000 kg	<b>158744</b>	PR6201-200042-U	\$12,606.50

Complete Kit Includes:

PR6201 load cell, PR6001/10 (11) mount, junction box, load cell extension cable;

Four-mount kit includes PR6001/00 or (01) N foot

# Minebea Intec PR6202

Hygienic Weigh Module Kits



The PR6202 range of load cells is specially designed to meet the high demands of the food, pharmaceutical and chemical industries. These products are made completely from stainless steel and are specially designed for use with process vessels. All horizontal surfaces are inclined for easy draining, and gaps and undercuts have purposely been avoided. The materials and surface quality were also selected to ensure the load cell meets tried and tested international standards and specifications. Its unique design principle enables it to compensate for motions caused by mechanical/thermal contractions or expansions of containers and/or padding construction in combination with its mounting kit, which has been specially designed for this area of application. The PR6202 is designed for consistent, high accuracy.

## Standard Features

- Proven rocker-pin principle for accurate repeatability
- Easy corner adjustment by matched load cell output
- All stainless steel construction (316 stainless steel load cells)
- Wide operating temperature range
- High overload capacity
- Resists vibration for consistent high accuracy
- Hermetically sealed, IP68/69K (depth of 1.5 m for 10,000 hours)
- EX-version available (PR 6202/..E)
- 10,000 division load cell, 2 mV/V
- 15-year warranty
- 50 kN destructive lateral force, and 25 kN permissible lift-off protection
- Foot 35 kN lateral force and lift-off protection

## LOAD CELL CERTIFICATIONS



## Zinc-Plated Steel Options

Total Capacity	Load Cell Capacity	RLWS Part #	Minebea Part #	Price		
<b>3-Module Kit</b>						
6,600 lb	3,000 kg	2,200 lb	1,000 kg	<b>158761</b>	PR6202-3032-U	\$10,839.50
13,200 lb	6,000 kg	4,400 lb	2,000 kg	<b>158764</b>	PR6202-6032-U	\$10,839.50
26,000 lb	12,000 kg	8,820 lb	4,000 kg	<b>158767</b>	PR6202-12032-U	\$11,133.50
39,500 lb	18,000 kg	13,230 lb	6,000 kg	<b>158770</b>	PR6202-18032-U	\$11,133.50
66,000 lb	30,000 kg	22,050 lb	10,000 kg	<b>158772</b>	PR6202-30032-U	\$11,133.50
165,000 lb	75,000 kg	55,120 lb	25,000 kg	<b>158929</b>	PR6202-75032-U	\$11,427.50
330,500 lb	150,000 kg	110,230 lb	50,000 kg	<b>158775</b>	PR6202-150032-U	\$13,002.50
<b>4-Module Kit</b>						
8,800 lb	4,000 kg	2,200 lb	1,000 kg	<b>158762</b>	PR6202-4042-U	\$13,475.50
17,600 lb	8,000 kg	4,400 lb	2,000 kg	<b>158765</b>	PR6202-8042-U	\$13,475.50
35,000 lb	16,000 kg	8,820 lb	4,000 kg	<b>158769</b>	PR6202-16042-U	\$13,867.50
52,900 lb	24,000 kg	13,230 lb	6,000 kg	<b>158771</b>	PR6202-24042-U	\$13,867.50
88,000 lb	40,000 kg	22,050 lb	10,000 kg	<b>158773</b>	PR6202-40042-U	\$13,867.50
220,000 lb	100,000 kg	55,120 lb	25,000 kg	<b>158774</b>	PR6202-100042-U	\$14,259.50
440,500 lb	200,000 kg	110,230 lb	50,000 kg	<b>158776</b>	PR6202-200042-U	\$16,359.50

Complete Kit Includes:  
 PR6202 load cell, PR6002/10S (11S) mount, junction box, load cell extension cable;  
 Four-mount kit includes PR6002/04S or (05S) foot

# Minebea Intec Contego-Hygienic Weigh Module Kits

Lateral Cable Outlet

The protective cover made of FDA-compliant silicone ensures a reliable encapsulation of the module and prevents the intrusion of dirt and microorganisms. The connecting geometry between protective cover and mounting plates guarantees a safe fitting and, together with the already excellent resistance to aging of the silicone, ensures reliable protection over years.

The Contego® weighing module therefore represents an absolutely hygienic unity of load cell and installation kit. As a result, you can refrain from using other expensive and complicated constructions to protect the weighing technology against dirt.

Besides the hygienic aspect, the Contego weighing module provides all the other important mechatronic functions for a fast operational startup and reliable results. The integrated constraint holds the process vessel in the proper position and, at the same time, allows movement through thermal expansion of the vessel. The integrated lift-off protector is a reliable safety feature to protect the vessel from tilting. At the same time, this feature can be used as a lifting system as well. This way, the vessel leg can be raised a few millimeters without using supplemental tools.

A PR6241 S-type load cell is used with this module. This series is distinguished by its unmatched reliability, robustness and stability, enabling years of undisturbed usage without any readjustment, in addition to the high measuring accuracy and reproducibility.



Junction Box not shown

## Standard Features

- Compact and absolute hygienic weighing solution for a load range up to 2t
- Quick and seamless installation
- Easy cleaning without residue
- High chemical resistance
- Protective cover made of FDA-compliant silicone
- Integrated S-like lift-off protector and jack-up function with constrainer for horizontal forces
- Proven rocker pin principle for accurate repeatability
- 10,000 divisions
- Load cell, 2 mV/V
- 15-year load cell warranty
- 30 kN destructive lateral force and 8 kN permissible lift-off protection

## LOAD CELL CERTIFICATIONS



## Options/Accessories

Part #	Type	Minebea Part #	Description	Price
160438	PR6041/80S	9405 360 41802	Bottom plate, tank leg connection	\$371.00

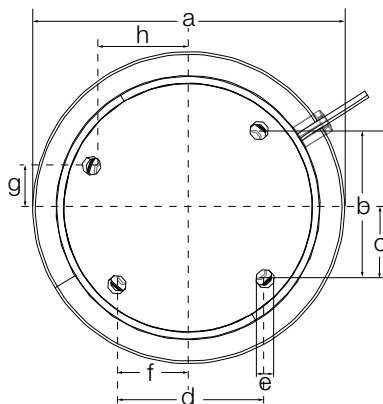
## Lateral Cable Outlet Options

Total Capacity	Load Cell Capacity	RLWS Part #	Minebea Part #	Price
<b>3-Module Kit</b>				
660 lb	300 kg	220 lb	100 kg	<b>158832</b> CTG-332A-U \$8,601.50
1,300 lb	600 kg	440 lb	200 kg	<b>158834</b> CTG-632A-U \$8,601.50
1,900 lb	900 kg	660 lb	300 kg	<b>158892</b> CTG-932A-U \$8,601.50
3,300 lb	1500 kg	1,100 lb	500 kg	<b>158837</b> CTG-1532A-U \$8,601.50
6,600 lb	3000 kg	2,200 lb	1,000 kg	<b>158839</b> CTG-3032A-U \$8,601.50
13,200 lb	6,000 kg	4,400 lb	2,000 kg	<b>158841</b> CTG-6032A-U \$8,601.50
<b>4-Module Kit</b>				
880 lb	400 kg	220 lb	100 kg	<b>158833</b> CTG-442A-U \$11,274.50
1,700 lb	800 kg	440 lb	200 kg	<b>158835</b> CTG-842A-U \$11,274.50
2,500 lb	1200 kg	660 lb	300 kg	<b>158836</b> CTG-1242A-U \$11,274.50
4,400 lb	2000 kg	1,100 lb	500 kg	<b>158838</b> CTG-2042A-U \$11,274.50
8,800 lb	4000 kg	2,200 lb	1,000 kg	<b>158840</b> CTG-4042A-U \$11,274.50
17,600 lb	8000 kg	4,400 lb	2,000 kg	<b>158842</b> CTG-8042A-U \$11,274.50

Complete Kit Includes:  
Contego load cell, junction box, load cell extension cable

## Dimensions

Rated Capacity	A	B	C	D	E	F	G	H
in/mm								
Lateral cable	8.3 in (210 mm)	3.7 in (94 mm)	1.9 in (47 mm)	3.7 in (94 mm)	0.5 in (12 mm)	1.9 in (47 mm)	1.1 in (29 mm)	2.4 in (60 mm)



# Minebea Intec Contego-Hygienic Weigh Module Kits

Top Cable Outlet



Junction Box not shown

## Standard Features

- Compact and absolute hygienic weighing solution for a load range up to 2 t
- Quick and seamless installation
- Easy cleaning without residue high chemical resistance
- Protective cover made of FDA-compliant silicone
- Integrated S-like lift-off protector and jack-up function with constrictor for horizontal forces
- Proven rocker pin principle for accurate repeatability
- 10,000 divisions
- Load cell, 2 mV/V
- 15-year load cell warranty
- 30 kN destructive lateral force and 8 kN permissible lift-off protection

## LOAD CELL CERTIFICATIONS



The protective cover made of FDA-compliant silicone ensures a reliable encapsulation of the module and prevents the intrusion of dirt and microorganisms. The connecting geometry between protective cover and mounting plates guarantees a safe fitting and, together with the already excellent resistance to aging of the silicone, ensures reliable protection over years.

The Contego® weighing module therefore represents an absolutely hygienic unity of load cell and installation kit. As a result, you can refrain from using other expensive and complicated constructions to protect the weighing technology against dirt.

Besides the hygienic aspect, the Contego weighing module provides all the other important mechatronic functions for a fast operational startup and reliable results. The integrated constraint holds the process vessel in the proper position and, at the same time, allows movement through thermal expansion of the vessel. The integrated lift-off protector is a reliable safety feature to protect the vessel from tilting. At the same time, this feature can be used as a lifting system as well. This way, the vessel leg can be raised a few millimeters without using supplemental tools.

A PR6241 S-type load cell is used with this module. This series is distinguished by its unmatched reliability, robustness and stability, enabling years of undisturbed usage without any readjustment, in addition to the high measuring accuracy and reproducibility.

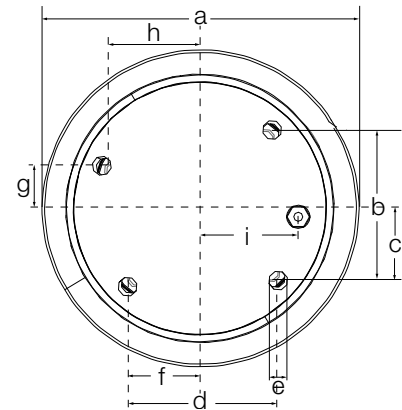
## Options/Accessories

Part #	Type	Minebea Part #	Description	Price
160438	PR6041/805	9405 36041802	Bottom plate, tank leg connection	\$371.00

## Top Cable Outlet Options

Total Capacity	Load Cell Capacity	RLWS Part #	Minebea Part #	Price		
<b>3-Module Kit</b>						
660 lb	300 kg	220 lb	100 kg	<b>158843</b>	CTG-332B-U	\$8,601.50
1,300 lb	600 kg	440 lb	200 kg	<b>158845</b>	CTG-632B-U	\$8,601.50
1,900 lb	900 kg	660 lb	300 kg	<b>158847</b>	CTG-932B-U	\$8,601.50
3,300 lb	1,500 kg	1,100 lb	500 kg	<b>158849</b>	CTG-1532B-U	\$8,601.50
6,600 lb	3,000 kg	2,200 lb	1,000 kg	<b>158851</b>	CTG-3032B-U	\$8,601.50
13,200 lb	6,000 kg	4,400 lb	2,000 kg	<b>158853</b>	CTG-6032B-U	\$8,601.50
<b>4-Module Kit</b>						
880 lb	400 kg	220 lb	100 kg	<b>158844</b>	CTG-442B-U	\$11,274.50
1,700 lb	800 kg	440 lb	200 kg	<b>158846</b>	CTG-842B-U	\$11,274.50
2,500 lb	1,200 kg	660 lb	300 kg	<b>158848</b>	CTG-1242B-U	\$11,274.50
4,400 lb	2,000 kg	1,100 lb	500 kg	<b>158850</b>	CTG-2042B-U	\$11,274.50
8,800 lb	4,000 kg	2,200 lb	1,000 kg	<b>158852</b>	CTG-4042B-U	\$11,274.50
17,600 lb	8,000 kg	4,400 lb	2,000 kg	<b>158854</b>	CTG-8042B-U	\$11,274.50

Complete Kit Includes:  
Contega load cell, junction box, load cell extension cable



## Dimensions

Rated Capacity	A	B	C	D	E	F	G	H	I
in/mm									
Top cable	8.3 in (210 mm)	3.7 in (94 mm)	1.9 in (47 mm)	3.7 in (94 mm)	0.5 in (12 mm)	1.9 in (47 mm)	1.1 in (29 mm)	2.4 in (60 mm)	2.2 in (55 mm)



# Minebea Intec PR5220 Ethernet Transmitter



The PR5220 Ethernet transmitter sets new standards in process instrumentation. The standard Ethernet TCP/IP interface enables easy transmission of information to super ordinate systems.

## Specifications

### Housing:

Housing IP20 according to DIN 40050  
Mounting on DIN Rail 35 mm according to DIN 46277  
Material: polyamide RoHS conform

### Dimensions:

Version 00 (W x D x H): 3.9 x 4.6 x 1.77 in  
(99 x 116 x 45 mm)  
Versions 01, 04, 06, 07 (W x D x H): 3.9 x 4.6 x 2.68 in  
(99 x 116 x 68 mm)

### Supply Voltage:

24 VDC,  $\pm 20\%$

### Power Consumption:

6 W / 8 W (Versions /01, /04, /06, /07)

### Control Outputs:

Quantity: 3 opto-isolated output, passive  
Voltage: max. 30 VDC  
Current: max. 30 mA  
Functions: Limits, weight status

### Control Inputs:

Quantity: 3, opto-isolated input, passive  
Functions: zero setting, taring  
Voltage: max. 30 VDC  
Current: max. 10 mA

### In-Output:

All I/O circuits fully galvanically isolated from sensor input and supply.

### Load Cell Connection:

All strain gauge load cells; 6- or 4-wire connection

### Load Cell Supply:

12 V, short-circuit proof, external load cell supply possible

### Minimum Load Impedance:

Min. 75  $\Omega$  e.g. 6 load cells with 600  $\Omega$  or 4 load cells with 350  $\Omega$

### Measuring Principle:

Measuring amplifier: Delta-Sigma converter  
Measuring time: min 5 ms - max. 1600 ms

### Input Range:

7.5 mV (appr. 4.8 Mio. div.), usable resolution: 0.2  $\mu$ V/div

### Input Signal:

Measuring signal: 0 to 36 mV (for 100 % nominal load)

### W and M Approval (in preparation):

10,000 e class III acc. to EN 45501; according to OIML R76, min. verification interval: 0.5  $\mu$ V/e

### Linearity:

< 0.002 %

### Temperature Effects:

Zero: TK0 m < 0.02  $\mu$ V/K RTI  
Span: TKspan < +/- 2 ppm/K

### Digital Filter for Load Cell:

4th order (low pass), Bessel, aperiodic or Butterworth

### Ethernet Interface (functions):

Ethernet IP and Modbus/TCP  
Definition of an IP address: – AutoIP; – DHCP Server classification; – manual entering of an IP address  
Automatic detection of signal transmission and corresponding change over (cross-over or patch cable)  
Webservice via SOAP/UPnP (Simple Object Access Protocol)  
Synchronous Modbus UDP

### Status Indicator:

Status LEDs to signal operation and error conditions

### Analogue Output:

0 to 10 or 4-20 mA, internal resolution 16-bit, usable step-width: 0.5  $\mu$ A max. load 500  $\Omega$ ; user configurable

### Serial Interfaces:

RS422/485 via screw terminals  
Protocol: Remote display, SMA and Minebea digital scales (XBPI-protocol)

## Specifications (cont.)

### Electrical Connections:

All electrical connections via modular screw terminals for 2.5 mm<sup>2</sup> max. System Phoenix/COMBICO

### Temperature:

WandM: -10°C to 40°C  
Operation: -10°C to 50°C  
Storage: -40°C to 70°C

### Weight:

Version 00:  
Net: 0.29 kg  
Versions 01, 04, 06, 07  
Net: 0.35 kg

## Standard Features PR5220

- Configuring via VNC
- OPC server
- Full digital signal processing with up to 4.8 Mio divisions internal resolution
- SmartCalibration feature for fast calibration even without weights
- Requires voltage supply of 24 VDC
- IP20 Housing, DIN Rail Mount
- Verifiable with remote display up to 10,000 e, C1 III (EN 45501, OIML R76)
- Precision analog output
- Serial RS-485/422 interface
- CD supplied with software suite
- 10,000 divisions at six samples per second

## Part Number/Price

Part #	Type	Minebea Part #	Description	Price
158856	PR5220/00	940515220003	PR5220 Ethernet Transmitter TCP/IP, 4-20 mA	\$1,575.00
158857	PR5220/01	940515220013	PR5220 Ethernet Transmitter TCP/IP, 4-20 mA with Profibus DP	\$1,895.00
158858	PR5220/04	940515220043	PR5220 Ethernet Transmitter TCP/IP, 4-20 mA with DeviceNet	\$1,895.00
158859	PR5220/06	940515220063	PR5220 Ethernet Transmitter TCP/IP, 4-20 mA with ProfiNet	\$1,895.00
158891	PR5220/07	940515220073	PR5220 Ethernet Transmitter TCP/IP, 4-20 mA with EtherNet IP	\$1,895.00

# Minebea Intec PR5230 Fieldbus Transmitter



The fieldbus transmitter PR5230 is a product for readout and transmit weight values to installed networks and control systems. LCD display is configurable and displays up to 10 items, and can be installed at the process. Through the different interface upgrade possibilities and the robust stainless steel housing, the PR5230 is an innovative and flexible process unit.

## Standard Features

- IP66, stainless steel, electro-polished construction
- Display for weight and status information
- OIML approval for 10,000e, and an internal resolution of 4 and 8 Mio. counts
- SmartCalibration feature for fast calibration even without weights
- Serial interface: RS-485/422 and RS-232
- Option cards: analog output 0 to 10 or 4-20 mA, DeviceNet® and EtherNet/IP
- Load cell connection board for up to four load cells

## APPROVALS



## Specifications

### Ethernet Interface for Optional IP Card:

Ethernet TCP/IP and Modbus® TCP  
 Definition of an IP address: – AutoIP; – DHCP Server classification; – manual entering of an IP address  
 Automatic detection of signal transmission and corresponding change over (cross-over or patch cable)  
 Webservice via SOAP/UPnP  
 (Simple Object Access Protocol)  
 Synchronal Modbus UDP

### Serial Interfaces:

RS 422/485 and RS232  
 Protocols: Remote Display, SMA, Modbus RTU, printer and Minebea digital scales (XBPI – protocol)

### Options Analogue Output PR 5230/06 (C11):

0-10 VDC or 4 -20 mA, internal resolution 16 bit, usable stepwidth: 0.5 µA max. load 500 Ω, user configurable

### Fieldbus PR 1721/4x (C2x):

Profibus®-DP, Interbus-S, DeviceNet®, CC-Link, Profinet® and EtherNet/IP®

### Load Cell Connection Board PR 5230/22 (C31):

For the internal connection of up to 4 Load cells (instead of using a cable junction box)

### Environmental Conditions Temperature:

WandM: -10° C to 40° C  
 Operation: -10° C to 50° C  
 Storage: -20° C to 70° C

### ATEX Approvals PR 5230:

II 3G Ex nA nC IIC T4  
 II 3D Ex tD A22 IP6X T80° C  
 SAG 09ATEX004X  
 II (2)G [Ex ib] IIC  
 II (2)D [Ex ibD]  
 KEMA 10 ATEX 0065 X

## Part Number/Price

Part #	Type	Minebea Part #	Description	Price
158861	PR5230/00	9405 152 30000	PR5230 transmitter in field housing	\$2,220.00

## Options/Accessories

Part #	Type	Minebea Part #	Description	Price
158863	PR1721/47	9405 317 21471	EtherNet IP interface module	\$1,020.00
158864	PR1721/44	9405 317 21441	DeviceNet interface module	\$895.00
160431	PR5230/06	9405 352 30061	0 to 4-20 mA interface module	\$163.00

## Specifications

### Housing:

Housing IP66 material: stainless steel electro-polished  
 RoHS conform

### Dimensions:

(W x D x H): 13.78 x 9.84 x 5.91 in  
 (350 x 250 x 150 mm)

### Weight:

Net: 1.45 kg (3.2 lb)

### Display and Status:

LCD, transfective, back-lit  
 Weight: six-digits  
 Size: 128 + 64 pixel, graphic  
 Information can be configured  
 Status LEDs to signal operation and error conditions.

### Internal Keys:

In the housing: 3 keys for Zero, Tare, Test

### Supply Voltage:

230 VAC, (+10/-15 %): 24 VDC, (±20 %)

### Power Consumption:

11 W

### Control Outputs:

Quantity: 3  
 Relay output, passive,  
 Functions: Limits, weight status  
 Voltage: max. 30 VDC  
 Current: max. 30 mA

### Control Inputs:

Quantity: three opto-isolated input, passive,  
 Functions: zero setting, taring  
 Voltage: max. 30 VDC  
 Current: max. 10 mA

### Remote I/O:

The I/O can be set internally via a function and remotely via fieldbus or PC

### In/Output:

All I/O circuits fully galvanically isolated from sensor input and supply  
 Three inputs/three outputs (relays)

### Load Cell Connection:

All strain gauge load cells; 6- or 4-wire connection

### Load Cell Supply:

12 V, short-circuit proof.  
 External load cell supply possible.

### Minimum load impedance:

Min. 75 Ω  
 (e.g. 6 load cells with 600 Ω or 4 load cells with 350 ohm)

### Measuring Principle:

Measuring amplifier: Delta-Sigma converter  
 Measuring time: min 5 ms – max. 1600 ms

### Accuracy:

7.5 nV (appr. 4.8 Mio. div.) Usable resolution: 0.2 µV/d

### LC Input Signal:

Measuring signal: 0 bis 36 mV  
 (for 100 % nominal load)

### WandM Approval (in preparation):

10,000 e class III acc. to EN 45501; according to OIML R76, min. verification interval: 0.5 µV/e at 160 ms

### Linearity:

< 0.003 %

### Temperature Effects:

Zero: TKO m < 0.05 µV/K RTI  
 Span: TKspan < ±2.5 ppm/K

### Digital Filter for Load Cell:

4th order (low pass), Bessel, aperiodic or Butterworth